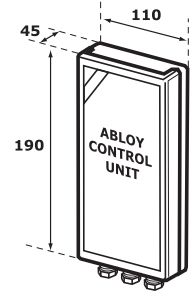
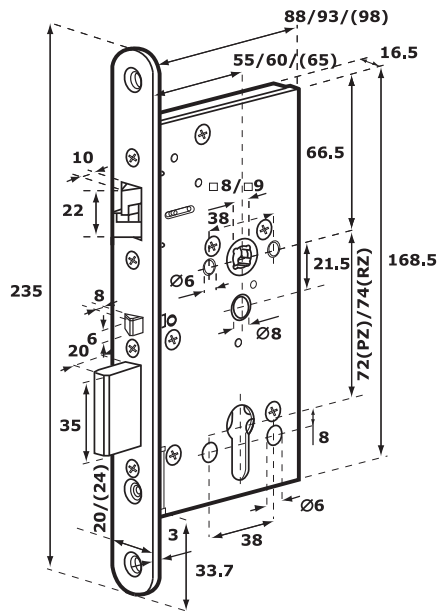


EL520

For wooden or metal doors, with deadbolt and anti-friction bolt. Fail locked outside. Free egress from inside when handle fitted. Control unit included

Meets EN1125 when used with 990000-SE panic bar

HIGH SECURITY ★★★★★



Note:
Lock cannot be fitted without the control unit (included in delivery)

Features

- Deadbolt is withdrawn by motor and thrown by spring force
- Deadbolt and anti-friction bolt are both deadlocked when door closes
- Anti-friction bolt is freed when deadbolt withdrawn by motor
- Easily reversible trigger bolt for all hands of door
- In the event of power failure deadbolt is automatically thrown, released by mechanical override

- Meets EN179 and EN1125 for emergency and panic exit doors and EN1634-1 for fire resistance (when used with correct exit hardware)
- Tested to draft standards for burglary prEN1627 and mechanical resistance EN12209

Control switches

- Continuous – bolt remains in open position as long as circuit is closed
- Momentary – bolt deadlocks after a delay of 2-15 secs (adjustable)

Monitoring

- Request to exit
- Bolt position
- Door position
- Cylinder operation

Fitting

- Please add 10mm to the case depth to allow for cable socket and plug
- Suitable for use with 990000-SE as part of the EL520 kit

**TECHNICAL SPECIFICATION**

Operating voltage
+15%, -10%
±15%

12V AC to 18V AC
12V DC to 24V DC

Current 12V DC

Idle 80mA
Norm 450mA
Max 1300mA

Current 24V DC

Idle 40mA
Norm 220mA
Max 600mA

Adjustable delay (secs) 2-15

Temperature range (°C) -20 to +60

Backset (mm)

Standard 65
Special 55, 60, 80, 100

Forend (mm)

Standard 24
Special 20

Follower (mm) 9

Forend finish SSS

ACCESSORIES

Cylinder single CY326/CY321/CY336/CY331

Strike EA322(inc)

Handles (Futura) (Inoxi) 60-0119-SSS
3-19X/012/120PZ+BL-SSS

Cable EA218(inc)

Rebate set Reb 21, 22 or 23

Spindle converter (8-9mm) 807227(inc)

NB. Unless otherwise stated all electro-mechanical lockcase cylinders will be supplied as ABLOY PROTEC

SSS: Satin stainless steel. For handles please pages 24-27.

EN1125 solution

Panic bar

EL520

990000-SE

New
Product

