

IPB2IR

2MP Full HD IP Mini Bullet Camera

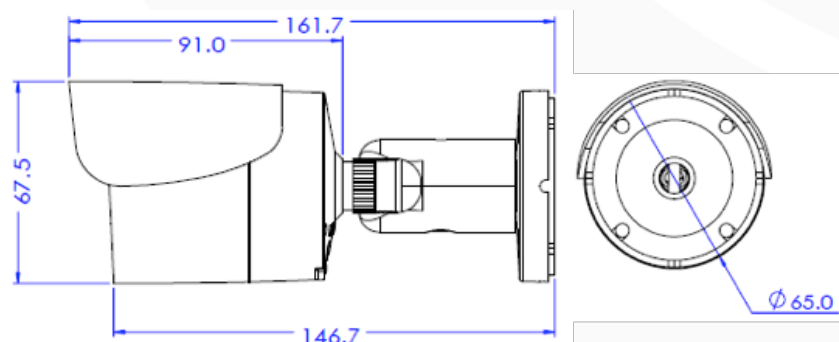


IPB2IR

Key Features

- 1/2.8" 2MP / 1080p Full HD CMOS
- True Day/Night
- Mechanical IR Cut-Filter
- 4mm Lens
- Wide Dynamic Range (WDR)
- H.264 Video Compression
- 24 IR LEDs, Up to 15m Range
- IP66
- Wall Mount Bracket
- DC12V / PoE

Dimensions





DATASHEET

www.geniecctv.com
 sales@geniecctv.com
 T: +44 (0) 1707 330 541
 F: +44 (0) 1707 330 543

Genie CCTV Ltd.
 CCTV House, City Park,
 Watchmead,
 Welwyn Garden City,
 Hertfordshire,
 AL7 1LT,
 United Kingdom

Technical Specification

Model Number	IPB2IR
Image Sensor	1/2.8" 2.0M Progressive Scan CMOS Sensor
Effective Pixels	1920 (H) x 1080 (V)
Focal Length	4.0mm, F1.8
H. Angle	86°
Minimum Illumination	Colour : 0.5Lux @ F1.8, 30IRE B/W : 0.00Lux @ IR LED ON
Day & Night	Auto / Day / Night (ICR)
Shutter Speed	1/30~1/60,000 Sec
Focus	Manual
AGC	Max 41dB
White Balance	Auto, Manual, Indoor, Outdoor, Preset
IR LED & IR Range	24 IR LED (Up to 15m) in Ideal Conditions
BLC / WDR	OFF / WDR / BLC
DNR	OFF/ MID / HIGH
DSS	Max 8x
Other Functions	Image Flip, Mirror
OS	Embedded Linux
Video Compression	Triple Codec,H.264/MPEG4/MJPEG
Video Streaming	Multi Streaming CBR/VBR (Controllable Frame Rate and Bandwidth)
Resolution	H.264/MPEG4 : 1080P/720P/D1/CIF MJPEG : QCIF
Frame Rate	Max. 30 / 25 fps for 1080p/720P/D1/CIF/QCIF
Local Storage	SD Card (Not Included) - JPEG Capture Only
Motion Detection	Notification : FTP, e-mail, Alarm Out, JPEG Recording on SD
Alarm	Pre-Post Alarm
Max No. of Clients	10
Protocols Support	IPv4 : ONVIF, TCP/IP, UDP/IP, RTP(UDP/TCP), RTSP, NTP, HTTP,HTTPS, SSL, DNS, DDNS, DHCP, FTP, SMTP, ICMP, SNMPv1/v2c/v3(MIB-2) IPv6 :TCP/IP, HTTP, HTTPS, DHCP DDNS : Proprietary: NET4C Public DDNS services Support: www.dyndns.com, www.no-ip.com Security : HTTPS (SSL), Digest Authentication (ID/PW)
OS Supported	Windows 7, Vista, XP , 2000
Approvals	FCC, CE, IP66, ROHS
Camera Posture	3 Axis (Pan / Tilt / Rotation)
Housing	Weatherproof Color: Dark Grey or Black
Material	Aluminum Die-Casting
Mounting Bracket	Wall Mount Bracket
Power	DC12V Max. 500mA PoE IEEE 802.3af
Operating Temperature	-20°C ~ 50°C
Dimensions (W x H)	161.7 x 67.5
Weight	0.5 Kg

Features and specifications are subject to change for further improvement without any notice