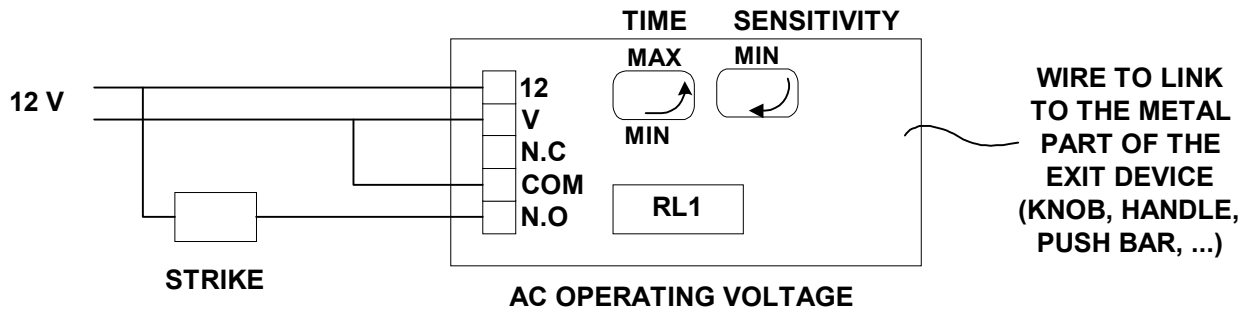
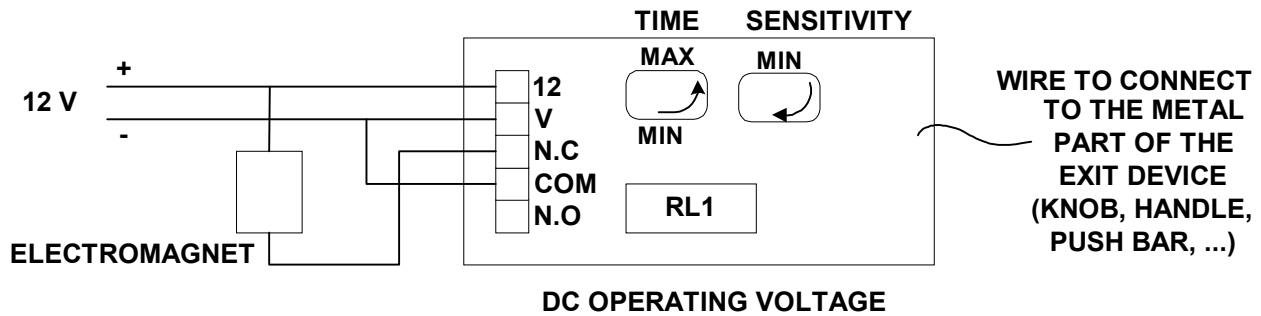




# P.O.I.

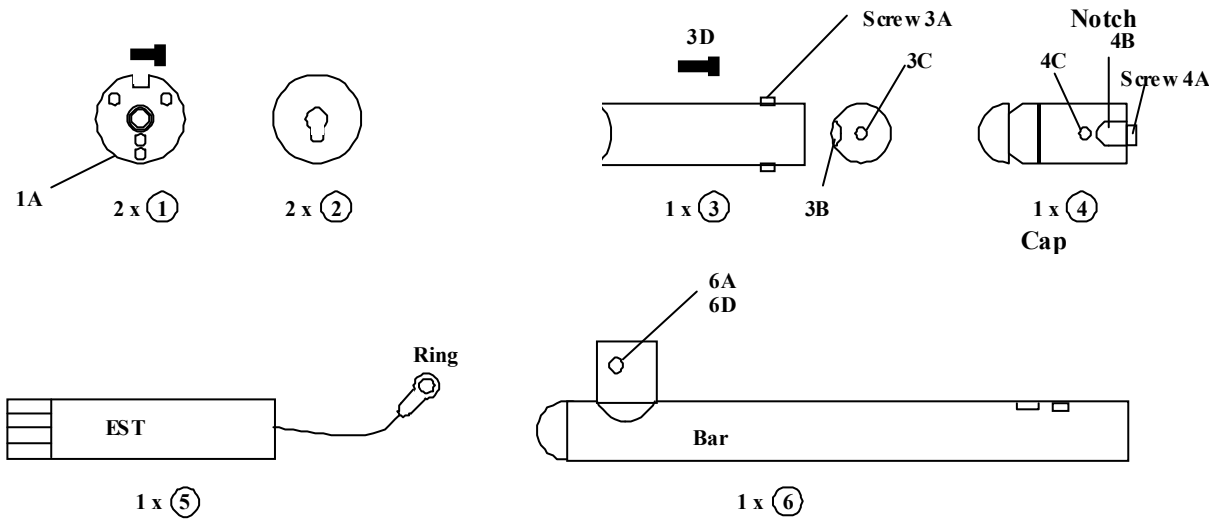
# Y2K COMPLIANT

## STAINLESS STEEL BAR TOUCH SENSITIVE EXIT DEVICE

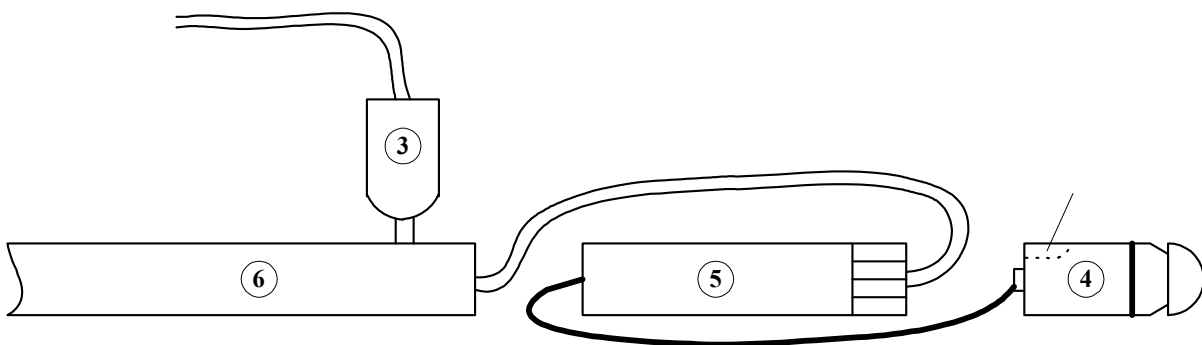


- THE TIME SWITCH IS SET AT THE MINIMUM LEVEL. ADJUST THE TRIGGERING SENSITIVITY, THEN ADJUST THE DOOR RELEASE TIME.
- THE DOOR RELEASE TIME IS ADJUSTABLE FROM ABOUT 2 TO 20 SECONDS.
- INPUT VOLTAGE 12 V DC/AC FROM MAINS 230 V.
- **NOTE:** METAL DOOR'S STRUCTURES HAVE TO BE CONNECTED TO EARTH.

## SENSITIVE BAR MOUNTING INSTRUCTIONS



- A – Undo the screw 4A from the cap ④
- B – Place the ring of the EST ⑤ at the extremity of the cap ④ using screw 4A
- C – Insert the cable through part ③ in hole 3B
- D – Insert the cable in hole 6B of the bar ⑥
- E – Link the cable to the connector of the EST ⑤ as shown on the mounting diagram



- F – connect to a power supply, adjust the sensibility by touching part ④
- G – Insert EST ⑤ in the bar ⑥ connector toward the cap ④
- H – Insert the cap ④ in the bar; the notch 4B oriented towards the entry of the cable, until hole 4C lines up with hole 6C
- I - Insert screw 3D in hole 3C of part ③, then adjust part ③ to bar ⑥