

Reflex

Passive Infrared Detector INSTALLATION INSTRUCTIONS



THANK YOU FOR VOTING TEXECOM
Ask your distributor today for the new Texecom full colour Product Guide.

Texecom
www.texe.com

INS 156-4

QUALITY ASSURANCE



Certificate Number: FM 35285



WARRANTY

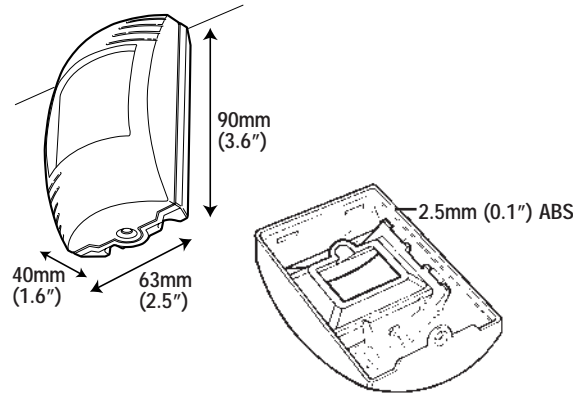
10 year replacement warranty.

The *Reflex* is designed to detect the movement of an intruder and activate an alarm control panel. As the *Reflex* is not a complete alarm system, but only a part thereof, Texecom cannot accept responsibility or liability for any damages whatsoever based on a claim that the *Reflex* failed to function correctly.

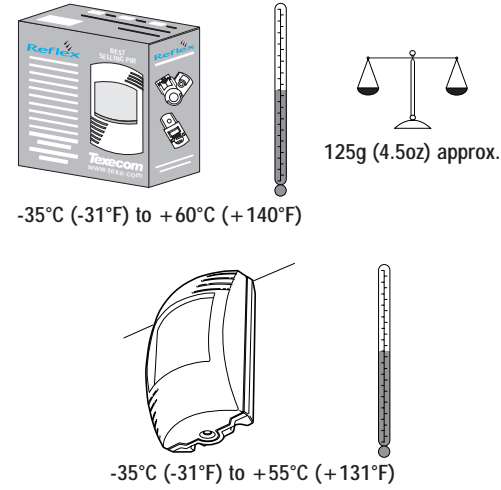
Due to our policy of continuous improvement Texecom reserves the right to change specification without prior notice. All specifications are measured at 20°C (68°F).

Document Ref: REF/EU/1.0-7
© 1994 - 2004 Texecom Ltd

1 PHYSICAL

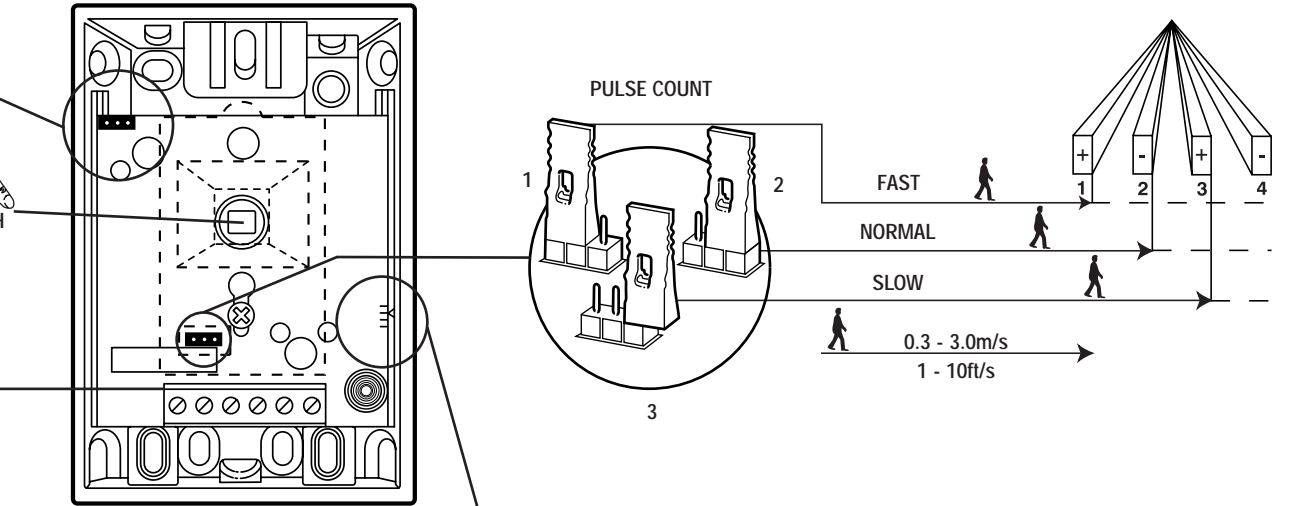
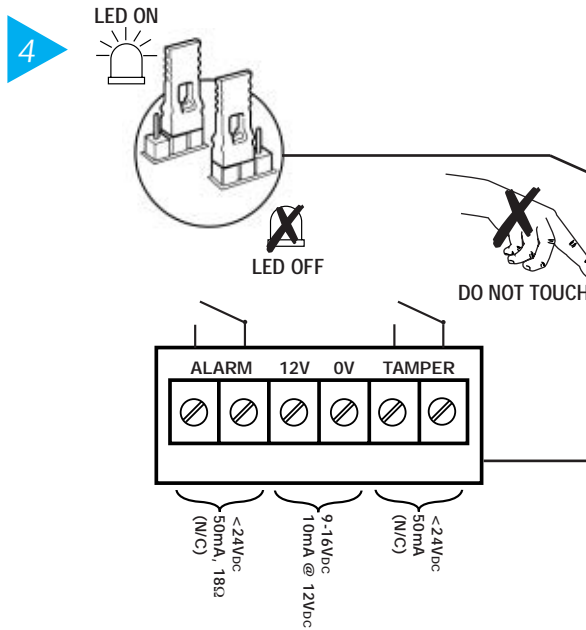


2 ENVIRONMENTAL

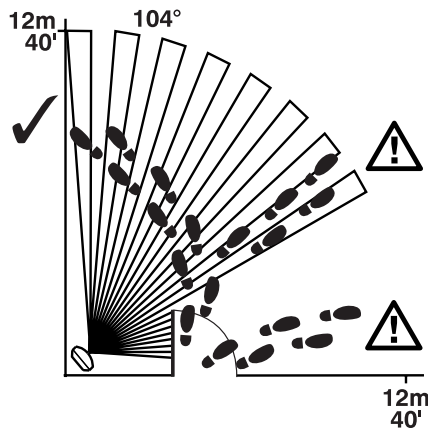


3 FALSE ALARM PROTECTION

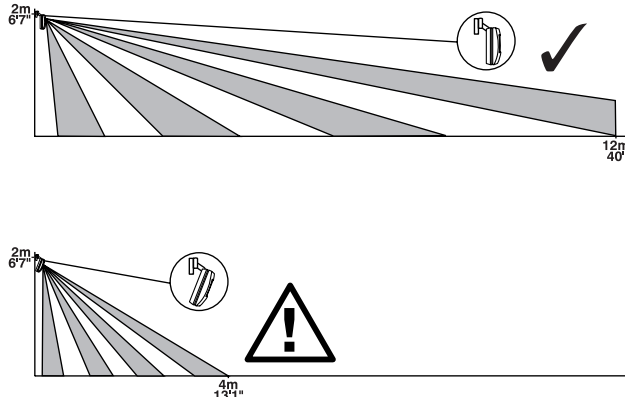
- Design:** Noise reduction circuits with maximum ground plane.
- RF Immunity:** No false alarms from 80MHz to 1GHz at 50V/m, equivalent to a 700W uniform transmitter at 3m (10ft). Complies with BS EN 61000-4-3 : 1997.
- Electrostatic Discharge:** No false alarm up to 8kV. Complies with BS EN 61000-4-2 : 1995.
- Fast Transient Immunity:** No false alarm up to ±1kV. Complies with BS EN 61000-4-4 : 1995.
- High Energy Transient Immunity:** No false alarm up to ±1kV. Complies with BS EN 61000-4-5 : 1995.
- Conducted RF Susceptibility:** No false alarms at 10Vrms. Complies with BS EN 61000-4-6 : 1996.
- Conducted Emissions:** Complies with EN 55022 Class B.
- Radiated Emissions:** Complies with EN 55022 Class B.
- EMC:** Independently certified to EN 50130-4 : 1996.
- Pulse Count:** Adjustable Pulse Count. Internal link to select.



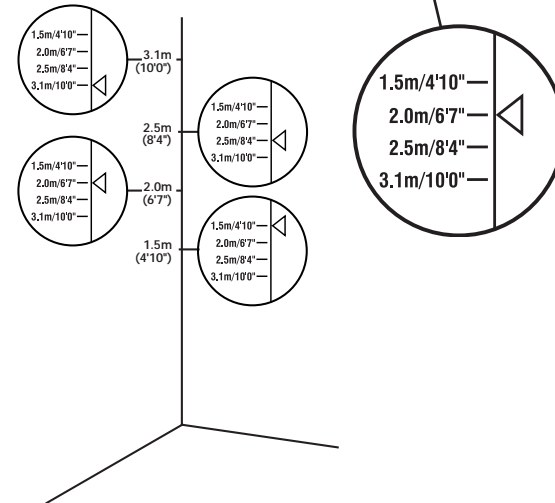
5 COVERAGE AND PICK-UP



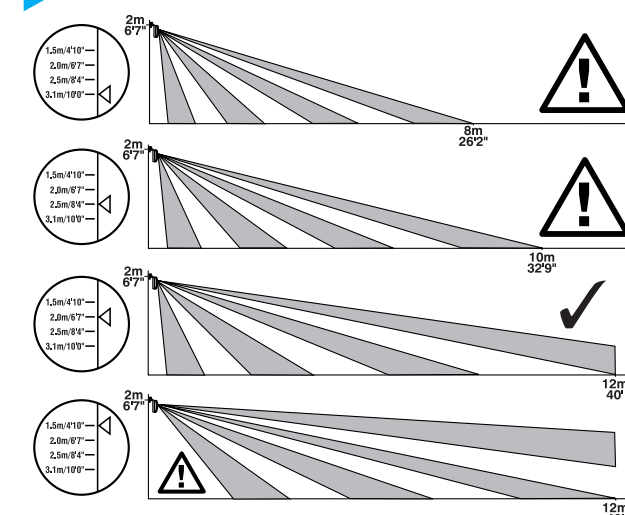
6 ANGLING THE DETECTOR



7 MOUNTING HEIGHT AND SETTINGS

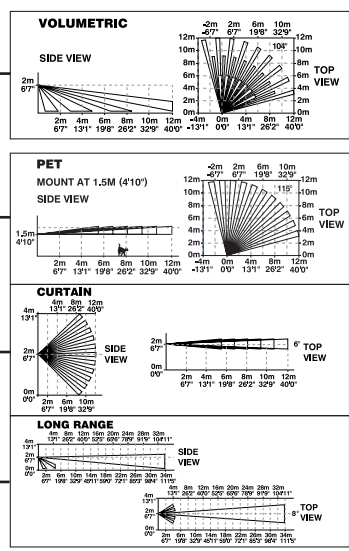


8 COVERAGE AT 2m



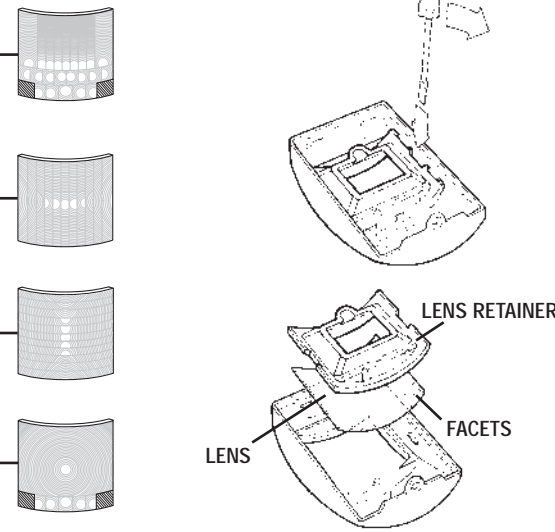
9 LENS SELECTION

See Mounting Height Diagram (Section 7)



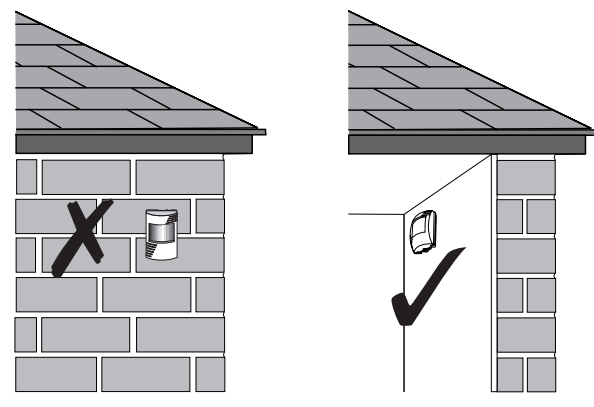
- 1.5m/4'10"
- 2.0m/6'7"
- 2.5m/8'4"
- 3.1m/10'0"

10 CHANGING LENSES



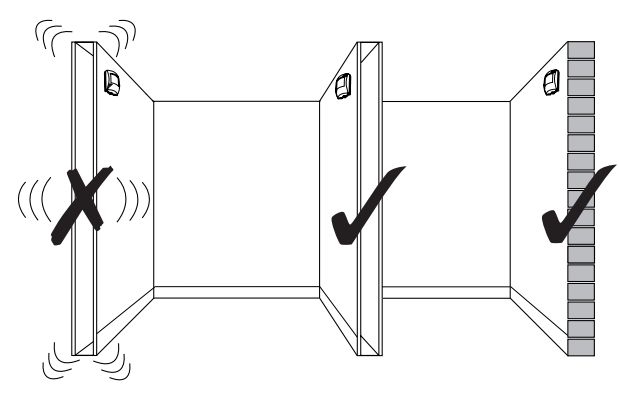
11 MOUNTING THE REFLEX

For indoor use only



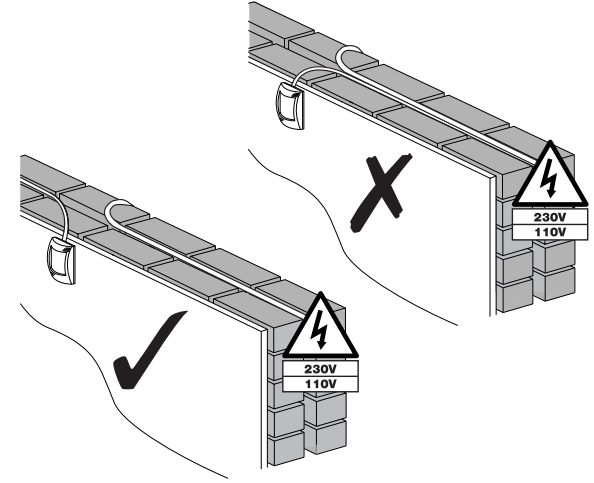
12 MOUNTING THE REFLEX

Mount on a stable surface



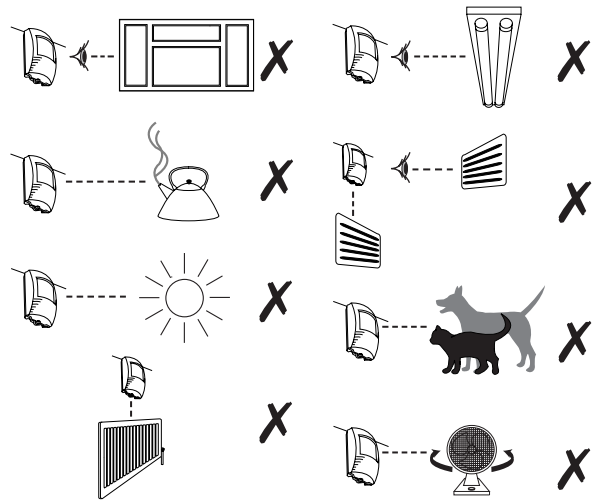
13 WIRING

Do not run cable parallel to mains wiring

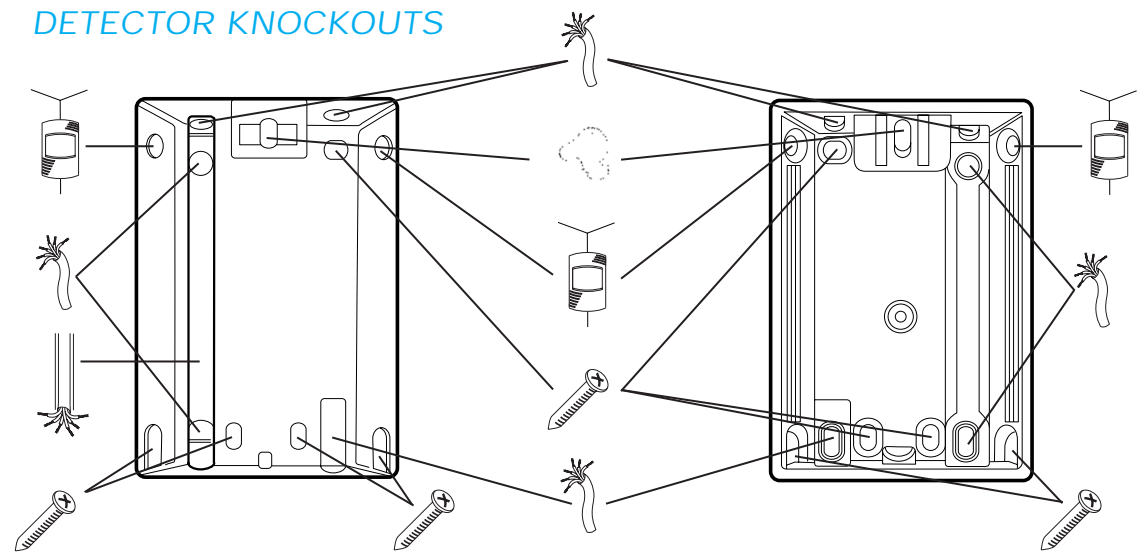


14 CHOOSING A LOCATION

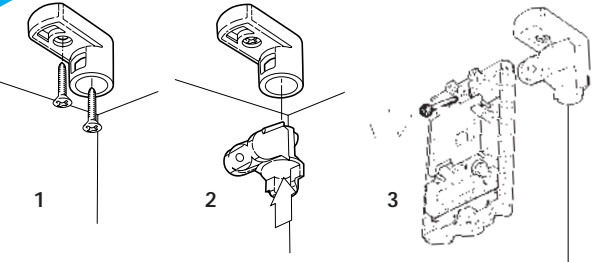
Avoid common false alarm sources



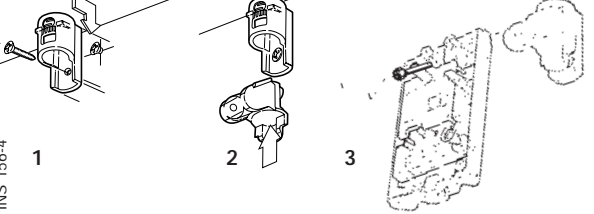
15 DETECTOR KNOCKOUTS



16 CEILING MOUNT BRACKET



17 WALL MOUNT BRACKET



18 MOUNTING WITHOUT BRACKETS

