



Jupiter Pro Network Camera 5MP PTZ 30x Zoom Optical

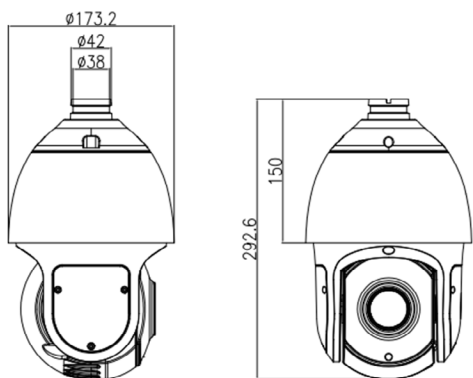
Item no.: 0070-08316



KEY FEATURES

- 1/2.8" progressive scan CMOS
- 30x optical zoom, 16x digital zoom
- 5MP(2592x1944) @ 25/30fps
- Support face, human and vehicle detection and capture
- Intelligent Analysis: intrusion, single line crossing, double line crossing, loitering, wrong way, illegal parking, people counting
- Auto tracking and perimeter protection based on deep learning
- WDR, 3D DNR, ICR, HLC, BLC, Defog
- Smart IR distance up to 150 m
- IP66

DIMENSIONS (MM)



ACCESSORIES



0070-11833
Wall Bracket
(Included in delivery)



0070-11842
Ceiling Bracket



0070-11862
Corner Mount



0070-11853
Pole Mount



JUPITER PRO PTZ 30X ZOOM OPTICAL

Jupiter Pro Network Camera

5MP PTZ 30x Zoom Optical



SPECIFICATION	
CAMERA	
Image Sensor	1/2.8" Progressive Scan CMOS
Max. Resolution	5MP (2592×1944)
Electronic Shutter	Auto/Manual, 1/5 ~ 1/20,000s
Min. illumination	Color: 0.07 Lux @ (F1.6, AGC ON) B/W: 0.007 Lux, 0 Lux (IR LED ON)
Day & Night	Auto (ICR)
IR Distance	Smart IR, Up to 150 m (492.1 ft)
IR On/Off Control	Auto/Manual
Pan/Tilt/Rotation Range	Pan: 0° ~ 360°, Tilt: 0° ~ 90°, Rotation: 0° ~ 360°
LENS	
Optical Zoom	30x
Digital Zoom	16x
Focal Length	5.3 ~ 159mm
Max. Aperture	F1.6 ~ F4.3
Angle of View	H: 56.62° ~ 2.48°, V: 42.76° ~ 1.91°
Focus Control	Auto/Manual/Semi-automatic
VIDEO	
Streaming Capability	3 Streams
Stream/Frame Rate	Stream1: 2592×1944, 2560×1520, 1920×1080, 1280×720 @ 25/30fps Stream2: D1, VGA, CIF @ 25/30fps Stream3: VGA, CIF, QVGA @ 25/30fps
Bit Rate Control	CBR/VBR
Bit Rate	Stream1: 200kbps~12Mbps Stream2: 100kbps~6Mbps Stream3: 100kbps~3Mbps
Region of Interest	Support
Smart Encode	Support
PTZ	
Pan/Tilt Range	Pan: 0° ~ 360° endless, Tilt: -10° ~ +90°
Manual Control Speed	Pan: 0.1° ~ 180°/s, Tilt: 0.1° ~ 90°/s
Preset Speed	Pan: 180°/s, Tilt: 90°/s
Presets	400
PTZ Mode	6 Track, 12 Scan, 12 Tour (up to 32 presets per tour)
3D Positioning	Support
Power-Off Memory	Support
PTZ Status Display	Support
Idle Motion	The time can be set (1-240 minutes), and functions such as preset positions, patrols, scans, and tracks can be run.
IMAGE	
Image Adjustment	Brightness, Sharpness, Contrast, Saturation adjustable
Mirror	Support
White Balance	Auto/Manual
Day/Night Setting	Auto, Day, Night, Time

Smart IR	Support
Noise Reduction	2D/3D DNR
Image Enhancement	HLC, BLC, Defog
Wide Dynamic Range	True WDR
S/N Ratio	55dB
Motion Detection	Support
Privacy Masking	Support
SMART FUNCTION	
Multi-Object Detection	Supports face, human, vehicle detection and capture
Smart Events	Intrusion, Single line crossing, Double line crossing, Loitering, Wrong way, People counting, Support alarm triggering by specified target types (human and vehicle)
Auto Tracking	Support
AUDIO	
Compression	G.711 (8kbps), RAW_PCM (16kbps)
NETWORK	
Protocols	IPv4, IPv6, TCP / IP, HTTP, HTTPS, UPnP, RTSP / RTP / RTCP, IGMP / Multicast, SMTP, DHCP, NTP, DNS, DDNS, QoS, SNMP, 802.1X, UDP, ICMP, ARP, TLS
Interoperability	ONVIF, SDK, CGI
Streaming Method	Unicast
Max. User Access	10 Users
Web Viewer	<IE11, Chrome, Firefox, Microsoft Edge
Language	English, Chinese, Polish, Italian, Portuguese, Spanish, Russian, French, Czech, Hungarian. Default: English
INTERFACE	
Network Interface	1 × RJ-45, 10/100 Mbps self-adaptive Ethernet port
Audio Interface	1ch Input, 1ch Output
Alarm Interface	2ch Input, 2ch Output
SD Card Slot	Built-in, up to 256GB
ELECTRICAL	
Power Supply	AC24V/DC36V/PoE+ (IEEE 802.3at) Standard Equipped: DC36V
Power Consumption	Less than 30 W
Operating Temperature	-40°C ~ 55°C (-40°F ~ 131°F)
Operating Humidity	Less than 90% RH
Ingress Protection	IP66, TVS4000V
Certifications	CE/FCC
Casing	Metal
Dimensions	173.2×292.6mm (6.82×11.52 inch)
Net Weight	3.5 kg (7.72 lb)

