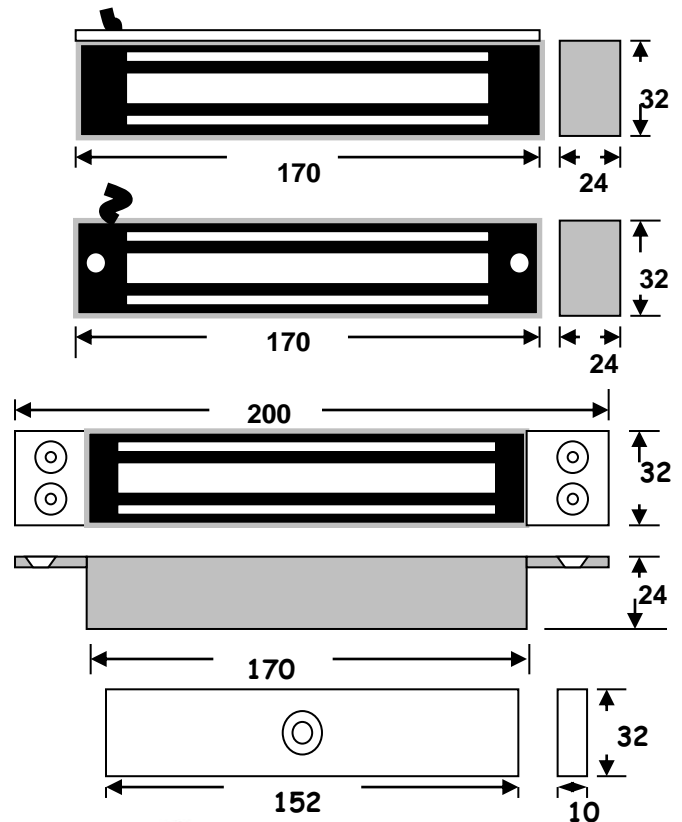


EM03 Stainless Micro magnets

EM03M Motrice type

EM03S Standard Fix type

EM03F Face fix type



The fail-safe Electromagnetic Lock design with no mechanical parts but magnetic force to secure & release the doors. Suitable for use in areas which require access controlled or egress such as darkrooms, Cabinet etc...

The magnets are totally sealed in an epoxy filled stainless steel case for water-resistant and vandal-resistant requirements.

Features:

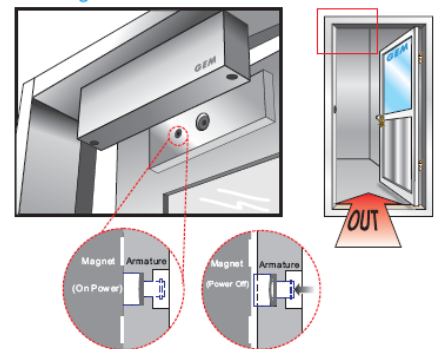
- Suitable for cabinets
- 12vDC
- Anti-residual magnetism design
- Sealed

Specifications:

- Voltage Tolerance: +/-15%
- Current Draw: 300mA/12VDC
- Operating Temperature: -10~55C (14~131F)
- Holding Force Up to 300lbs (136kg)
- Dimensions:
Magnet (L)170. (W)32. (D)24mm
Armature: (L)152. (W)32. (D)10.mm
- Epoxy Potting Compound: E87252 (S), UL94V-0
- Weight (approx) : 1.5kg



Suitable for Server cabinets



Unique Anti-Residual design

When there is no power, there will be no holding force, and the push-off button inside the armature plate will pop out immediately to release the magnet and armature plate. The instant release circuit function will prevent residual magnetism between magnetic lock & the armature plate.

Specialized Security Products, Units 18-21 Park Farm Industrial Estate, Buntingford, Herts SG9 9AZ.

Telephone: (+44) 01763 274223, Fax: (+44) 01763 273515. Email: sales@specialized-security.co.uk.

www.specialized-security.co.uk