



GAHBV2IR

AHD 2MP True Day / Night IR Bullet Camera

The GAHBV2IR is a 2MP/1080P AHD True / Day Night Weatherproof IR Bullet Camera.

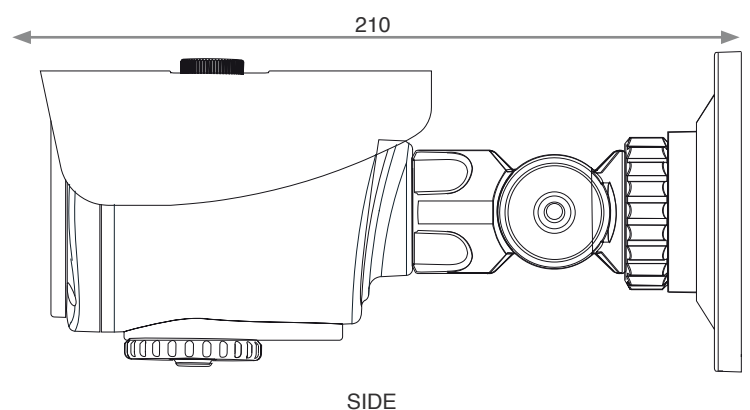
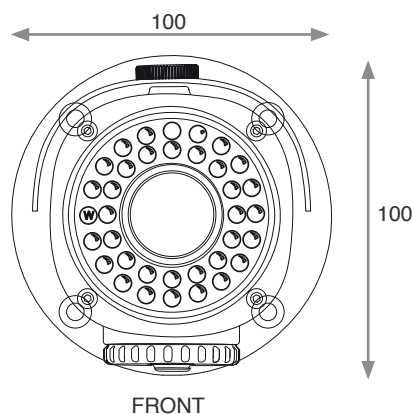


GAHBV2IR

Key Features

- 1/2.8" Sony 2MP Exmor CMOS Sensor
- True Day/Night with ICR & Mechanical Cut Filter
- 0 Lux Minimum Illumination
- 1080P Full HD Resolution
- DWDR
- Adjustable High Speed Shutter
- Auto Tracing White Balance (ATW)
- Auto Gain Control (AGC)
- 3D DNR
- Privacy Masking (8 Zones)
- 2.8 - 12mm DC Auto Varifocal Iris Lens
- OSD Menu
- Backlight Compensation (BLC)
- Vandal Resistant Housing
- IP66
- DC12V

Dimensions (mm)





Technical Specification

Model Number	GAHBV2IR
Image Sensor	1/2.8" Sony 2 MP Exmor CMOS Sensor
Scanning System	Progressive Scan
Speed Shutter Speed	Auto / FLK / 1/30 (1/25) Sec ~ 1/50000 Sec, x2, x4, x6, x8, x10, x15, x20, x25, x30
Resolution	1920 x 1080 (1080P @ 25fps)
Lens	2.8 - 12mm DC Auto Varifocal Lens
Total Pixels	2000 (H) x 1121 (V), 2.24m Pixels
Effective Pixels	1984 (H) x 1105 (V), 2.19m Pixels
Minimum Illumination	0 Lux (IR LED On)
S/N Ratio	More than 50 dB
Sens Up	Off / Auto (x2 ~ x30)
AGC	0 ~ 15 Level Adjustable
Brightness	0 ~ 100 Level Adjustable
BLC	Off / Low / Middle / High
HSBLC	1 ~ 100 Level Adjustable
D-WDR	Off / On / Auto
Motion Detection	Off / On (4 Zone)
Alarm Output	0
Video Output	1.0Vp-p Composite, 75Ω (AHD Off) 1.0Vp-p AHD (Analogue High Definition) 75Ω (CVBS Off)
Privacy Masking	Off / On (8 Zone)
Communication	CVBS: Coaxial I/F Controller (UTC) AHD: DVR UTC Control
Day & Night	Auto (AGC) / Day / Night / Ext
Smart IR	0 ~ 15 Level Adjustable
White Balance	ATW (1700K ~ 11000K) / AWC > Set / Manual / AWB
Digital Noise Reduction	2D, 3DNR
Mirror	H-Rev / V-Rev / Rotate
Sharpness	0 ~ 10 Level Adjustable
Defog	Off / Auto
Gamma Connection	User / 0.45 ~ 1.0
Lens Shading (LSC)	Off / On
Camera Title (Camera ID)	Off / On
Defect (White Pix Mask)	Live DPC / Static DPC (White: 2048, Black: 128)
Power	DC12V, Consumption: IR LED On (700mA Max.) ±10%
Temperature Conditions	Storage: -20°C ~ +60°C (Humidity: 20%RH ~ 95%RH) Operating: -10°C ~ +50°C (Humidity: 20%RH ~ 80%RH)
Language	ENG / ARB / HEB / TUR / NED / POR / RUS / POL / SPA / ITA / FRA / GER / KOR / CHN1 / CHA2 / JPN
Dimensions (H x Ø)	50 x Ø54 mm
Weight	800g

Genie CCTV reserves the right to change specifications without notice. Please contact your representative to confirm current specifications.

Accessories

- **INTUS/JB** - Junction Box for INTUS Cameras (Except ZB2812IR). Compatible with W96BVIR, IR3040, IR5070, IR80100, GAHBV2IR & HXB250IR
- **INTUS/PM** - Pole Mount Bracket for INTUS Cameras (Except ZB2812IR). Compatible with W96BVIR, IR3040, IR5070, IR80100, GAHBV2IR & HXB250IR
- **INTUS/MJB** - Mounting Junction Box for INTUS Cameras (Except ZB2812IR). Compatible with W96BVIR, IR3040, IR5070, IR80100, GAHBV2IR & HXB250IR
- **PSU1SM** - In-Line DC12V 1A Output, Regulated Switch Mode PSU, with Fixing Mount