



GAHMC2 Series

AHD 2MP True/Day Night Micro Cannon Dome Camera

GAHMC2 Series are 2MP/1080p AHD True Day/Night Micro Cannon Dome Camera with 3.6mm Fixed Lens. Available in Black or White.



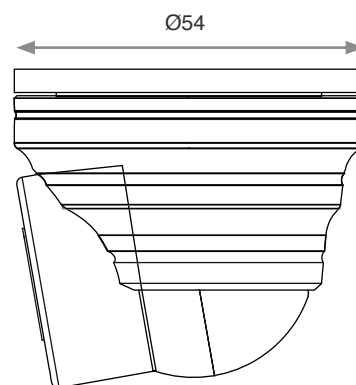
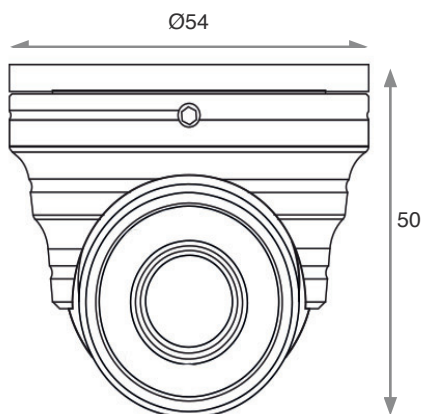
GAHMC2

GAHMC2B

Key Features

- 1/2.8" Sony 2MP Exmor CMOS Sensor
- True Day/Night with ICR & Mechanical Cut Filter
- 0 Lux Minimum Illumination
- 1080p Full HD Resolution
- D-WDR
- High Speed Shutter
- Auto Tracing White Balance (ATW)
- Auto Gain Control (AGC)
- UTC Built In
- Backlight Compensation (BLC)
- 3D DNR
- IP67
- DC12V

Dimensions (mm)





Technical Specification

Model Number	GAHMC2	GAHMC2B
Image Sensor	1/2.8" Sony 2 MP Exmor CMOS Sensor	
Scanning System	Progressive Scan	
Speed Shutter Speed	Auto / FLK / 1/30 (1/25) Sec ~ 1/50000 Sec, x2, x4, x6, x8, x10, x15, x20, x25, x30	
Resolution	1920 x 1080 (1080p)	
Lens	3.6mm Fixed Board Lens	
Total Pixels	2000 (H) x 1121 (V) Pixels	
Effective Pixels	1984 (H) x 1105 (V) Pixels	
Minimum Illumination	0 Lux	
S/N Ratio	More than 50 dB	
Sens Up	Off / Auto (x2 ~ x30)	
AGC	0 ~ 15 Level Adjustable	
Brightness	0 ~ 100 Level Adjustable	
BLC	Off / Low / Middle / High	
HSBLC	1 ~ 100 Level Adjustable	
D-WDR	Off / On / Auto	
Motion Detection	Off / On (4 Zone)	
Alarm Output	0	
Video Output	1.0Vp-p Composite, 75Ω (AHD Off) 1.0Vp-p AHD (Analogue High Definition) 75Ω (CVBS Off)	
Privacy Masking	Off / On (8 Zone)	
Communication	CVBS: Coaxial I/F Controller (UTC) AHD: DVR UTC Control	
Day & Night	Auto (AGC) / Day / Night / Ext	
White Balance	ATW (1700K ~ 11000K) / AWC > Set / Manual / AWB	
Digital Noise Reduction	2D, 3DNR	
Mirror	H-Rev / V-Rev / Rotate	
Sharpness	0 ~ 10 Level Adjustable	
Defog	Off / Auto	
Gamma Connection	User / 0.45 ~ 1.0	
Lens Shading (LSC)	Off / On	
Camera Title (Camera ID)	Off / On	
Defect (White Pix Mask)	Live DPC / Static DPC (White: 2048, Black: 128)	
Power	DC12V	
Temperature Conditions	Storage: -20°C ~ +60°C (Humidity: 20%RH ~ 95%RH) Operating: -10°C ~ +50°C (Humidity: 20%RH ~ 80%RH)	
Language	ENG / ARB / HEB / TUR / NED / POR / RUS / POL / SPA / ITA / FRA / GER / KOR / CHN1 / CHA2 / JPN	
Dimensions (H x Ø)	50 x Ø54 mm	
Weight	300g	

Genie CCTV reserves the right to change specifications without notice. Please contact your representative to confirm current specifications.

Accessories

- **PSU1SM** - In-Line DC12V 1A Output, Regulated Switch Mode PSU, with Fixing Mount