

# IPB2AFIR Series

2MP Fixed HD IP High Brightness Cameras



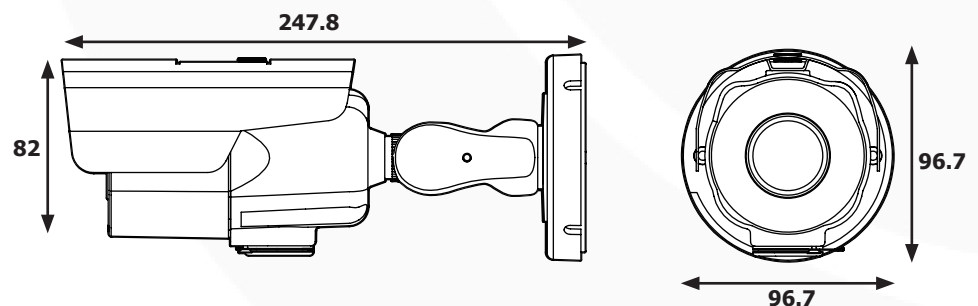
IPB2AFIRS

IPB2AFIRL

## Key Features

- Real Time High Definition Bullet Camera
- 96x Zoom Control (Optical 8x, Digital 12x) - IPB2AFIRL
- Triple Codec, Simultaneous Multi-Streaming
- Local SD Card Backup
- Day & Night by ICR
- PoE
- Bi-Directional Audio
- Smart Focus (Motorized Focus) - IPB2AFIRS
- Weather Proof Design

## Dimensions (mm)



DATASHEET

www.geniecctv.com  
 sales@geniecctv.com  
 T: +44 (0) 1707 330 541  
 F: +44 (0) 1707 330 543

Genie CCTV Ltd.  
 CCTV House, City Park,  
 Watchmead,  
 Welwyn Garden City,  
 Hertfordshire,  
 AL7 1LT,  
 United Kingdom

## Accessories

- **IPB2AFJB** - Junction Box for IPB2AFIR Series
- **FILTERKIT4** - Filter Set Up Kit
- **GMPC12** - DC12V Power Connector Jack (Male) To Terminal Block
- **GFPC12** - DC12V Power Connector Jack (Female) To Terminal Block
- **PSU1SM** - In-Line DC12V 1A Output, Regulated Switch Mode PSU, with Fixing Mount

www.geniecctv.com  
 sales@geniecctv.com  
 T: +44 (0) 1707 330 541  
 F: +44 (0) 1707 330 543

Genie CCTV Ltd.  
 CCTV House, City Park,  
 Watchmead,  
 Welwyn Garden City,  
 Hertfordshire,  
 AL7 1LT,  
 United Kingdom

## Technical Specification

Model Number	IPB2AFIRS	IPB2AFIRL
Image Sensor	1/2.8" 2MP CMOS	
Total Pixels	2000 (H) x 1241 (V)	
Effective Pixels	2MP	
Aspect Ratio	HD: 16:9, SD: 4:3	
Zoom Ratio	N/A	Optical x8 (Digital x12)
Focal Length	Auto Focus 3 - 10.5 mm, F1.4, P-Iris	
Lens	3.0 ~ 10.5 mm	6.3 ~ 50 mm
Horizontal Angle	100° (W) ~ 30° (T)	
Minimum Illumination	Colour: 0.1 Lux @ F3.5, 30IRE, B&W: 0.00 Lux @ IR LED ON	
IR LED	54pcs IR LED (Distance: 20m)	6pcs High Power LED (Distance: 60m)
Digital In / Out	1 Alarm Sensor In / 1 Out	
Audio In / Out	1 Audio In / 1 Audio Out	
Video Out	2 Pin Connector (For Local Focus)	
Day & Night	Auto / Day / Night (ICR)	
Focus	Auto / Manual	
DNR	OFF / LOW / MIDDLE / HIGH	
Shutter Speed	1/30 Sec ~ 1/60000 Sec, 1/25 Sec ~ 1/60000 Sec	
DSS	x2 ~ x8	
AGC	41dB Max.	
White Balance	Auto / Auto-Ext / Indoor / Outdoor / One-Push Mode / Manual	
BLC	OFF / WDR / BLC / HLM	
OS	Embedded Linux	
Video Compression	Triple Codec, H.264 / MPEG4 / MJPEG	
Video Streaming	Multi-Streaming CBR / VBR (Controllable Frame Rate and Bandwidth)	
Resolution	H.264: 1080p / 720p / D1 / CIF, MJPEG: 1080p / 720p / D1 / CIF / QCIF MPEG4: 720p / D1 / CIF	
Frame Rate	Max 30 / 25 fps	
Audio Compression	Two Way, G.711 PCM. $\mu$ -law 64kbps 8kHz	
Local Storage	SDHC Memory Card Located Externally (Card is Not Included)	
Motion Detection	Notification: FTP, E-mail, Alarm Out, JPEG Recording on SD	
Alarm	Pre-Post Alarm	
Max. Number of Clients	10	
Protocols Support	IPv4: ONVIF, TCP/IP, UDP/IP, RTP (UDP), RTSP, NTP, HTTP, HTTPS, SSL, DDNS, DHCP, FTP, SMTP, ICMP, SNMPv1 / v2c / v3 (MIB-2)  IPv6: TCP/IP, HTTP, HTTPS, DHCP  DDNS: Propriety: NET4C Public DDNS services Support: www.dyndns.com, www.no-ip.com  Security: HTTPS(SSL), Digest Authentication(ID/PW)	
OS Supported	Windows 7, Vista, XP, 2000	
Approvals	FCC, CE, IP66, ROHS	
Power	DC12V, 12W POE IEEE 802.3af	DC12V, 24W High POE IEEE 802.3at
Operating Temperature	-30°C ~ 50°C	
Housing	Dark Grey Weather Proof / Vandal Proof Structure	
Material	Aluminium Die-Casting	
Camera Posture	3 Axis (Pan / Tilt / Rotation)	
Dimensions (L x H x $\emptyset$ )	247.8 x 82 x $\emptyset$ 96.7 mm	
Weight	2Kg	

Features and specifications are subject to change for further improvement without any notice