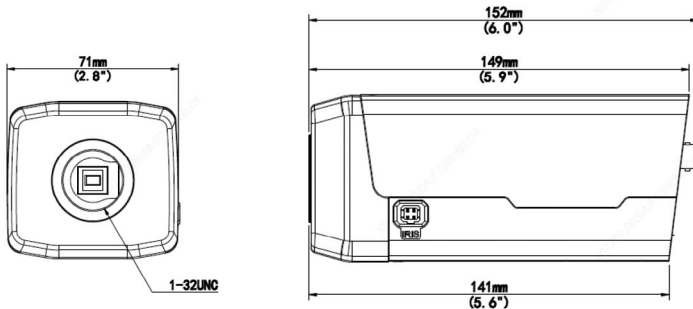


# NDAA Compliant 1/2.8" 2MP IP Box Camera

VIP-X2MPAUAL



## KEY FEATURES

**NDAA compliant - NOVATEK chipset**

**2MP box camera C/CS mount**

**H.264/H.265 triple streaming**

**WDR - 120dB**

**Low light sensitive colour**

**ONVIF compliant ONVIF Profile S, G and T**

**Storage - microSD card up to 256GB**

**Analytics including: cross line, intrusion, enter and leave area detection, people counting and crowd density**

Vista's VIP series of IP cameras are fully NDAA compliant, allowing you peace of mind in offering one, consistent range that satisfies requirements across both private business and public sector projects.

The VIP 1/2.8" 2MP IP Box Camera serves as a visible deterrent whilst offering enhanced image quality through a wide dynamic range feature. Low light sensitivity allows it to consistently produce high quality images throughout a variety of conditions.

The camera's C/CS lens mounting provides a wide choice of lenses enabling you to accommodate your customer's individual site requirements. This also offers flexibility to update the camera as security needs change, making it an ideal choice for large scale installations.

The camera can deliver up to 3 streams in multiple formats inc. H.264, so the quality of the video can be optimised based on application. The latest H.265 technology reduces the levels of bandwidth and storage required.

Other features include Edge storage via MicroSD card slot that can take cards up to 256Gb, PoE and event triggering for motion, audio and a tampering alarm.

Accompanying the VIP series of cameras is the VIP series of IP NVR recorders - also NDAA compliant.

To learn more about Vista's NDAA compliant video surveillance products please visit [www.norbain.com/brands/vista](http://www.norbain.com/brands/vista)

TEL +44 (0) 118 912 5000



\* To scan the QR code, make sure your phone/device has a suitable reader. Most modern Android and iOS smartphone cameras will automatically scan the code and provide the product's URL link, which will open from the device's web browser.

## TECHNICAL SPECIFICATION

Model	VIP-X2MPAUAL
<b>CAMERA</b>	
Image Sensor	1/2.8" 2MP, CMOS
Min Illumination	Colour: 0.0005 lux F1.2, B/W: 0.0001 lux F1.2
WDR	120dB WDR
Shutter Time	1/100000s-1s
Day/Night Mode	Day/Night/Auto with IR-cut filter
Signal/Noise	>52dB
<b>LENS</b>	
Mount	C/CS
Iris Control	DC-Iris/P-Iris, DC 5V (4 Pins)
<b>VIDEO</b>	
Primary Stream	2MP (1920 × 1080), Max 60fps
Secondary Stream	720P (1280 × 720), Max 60fp
Tertiary Stream	D1 (720 × 576), Max 60fp
Video Compression	H.265, H.264, MJPEG
Privacy Masking   ROI	4-masks   8 ROI
<b>INTERFACES</b>	
Ethernet	1 × RJ45 10M/100M Ethernet Port
Video Out	1 × BNC (CVBS)
Alarm   Audio I/O	2/1   1/1
Serial	1 × RS485
<b>NETWORK</b>	
ONVIF	Profile S, G and T
Network Storage	ANR, NAS (NFS)
Web Browser	Plug-in required IE 10 and above, Chrome 45, Firefox 52 and Edge 79 min
Security	HTTPS, digest authentication for RTSP, HTTP, TLS 1.2, WSSE and ONVIF
Protocol	IPv4, IGMP, DHCP, PPPoE, RTP, RTSP, RTCP, DNS, DDNS, NTP, FTP, UPnP, HTTP, HTTPS, SMTP, 802.1x, SNMP, QoS, RTMP, SSH
<b>AUDIO - 2-WAY</b>	
Built In Speaker	n/a
Audio Compression	G.711U, G.711A
Audio Sampling   Bit Rate	8KHz/64Kbps
<b>INTELLIGENT ANALYTICS</b>	
Video Analysis	Cross Line, Intrusion, Enter and Leave Area detection. People counting and Crowd density
<b>EVENT AND STORAGE</b>	
Edge Storage	MicroSD, up to 256GB
Event Trigger	Motion, Audio and Tampering alarm
<b>GENERAL</b>	
Working Condition	-20°C - 50°C (-4°F - 122°F), Humidity: ≤95% RH (non-condensing)
Environment	Requires separate housing for external use
Power Supply	DC12V (±25%), AC24V (±25%), PoE (IEEE 802.3af)
Power Consumption	7W
Surge Protection	6KV
NET Dimensions   Weight	152 × 71 × 65mm (excludes lens)   0.38kg
<b>COMPLIANCE</b>	
NDAA	Yes, Novatek chipset

## MODELS IN THIS RANGE

**0910270 VIP-X2MPAUAL**  
2MP Box Camera C/CS lens mount

## ASSOCIATED PRODUCTS

**0898330 M13VG2713IR**  
2.7-13mm F1.4 IR

**0898350 M13VG550IR**  
5-50mm F1.6 IR 2MP

**0356970 VHE-23LV**  
Ext housing 24VAC RAL7035

**0785200 VPSU12-1000e**  
12VDC 1A Encapsulated

**0785210 VPSU12-2000e**  
12VDC 2A Encapsulated

**0785220 VPSU1221EXTe**  
12VDC 1 x 2A, IP68

**0785240 VPSU1244EXTe**  
12VDC 4 x 1A, IP68

**0785090 VPSU2431EXTe**  
24VAC, 1 x 3A, IP68

**0785110 VPSU2444EXTe**  
24VAC, 4 x 1A, IP68

**0785170 VPSU24VAC-2000e**  
24VAC, 2A, Encapsulated

## OTHER PRODUCTS

**0338110 VFS118WHDA 18.5"**  
Monitor TVI/AHD/CVBS/HDMI & VGA

**0773530 VFS121WHDA 21"**  
Monitor TVI/AHD/CVBS/HDMI & VGA

**0908420 VSW4**  
4 port PoE switch dual uplink

**0908430 VSW8**  
8 port PoE switch dual uplink

**0908440 VSW16**  
16 port PoE switch dual uplink

**0908450 VSW24**  
24 port PoE switch dual uplink

**0480540 CAT5e/UTP/305/PVC/GREY**  
305m Cat5e PVC cable drum - grey

**0480560 CAT5e/UTP/305/LSZH/VIOLET**  
305m Cat5e LSZH cable drum - violet

**0480580 CAT5e/UTP/305/DUCT/BLACK**  
305m Cat5e DUCT cable drum - black

**0480610 CAT6/UTP/305/PVC/GREY**  
305m Cat6 PVC cable drum - grey

**0480620 CAT6/UTP/305/LSZH/VIOLET**  
305m Cat6 LSZH cable drum - violet

**0480630 CAT6/UTP/305/DUCT/BLACK**  
305m Cat6 DUCT cable drum - black

**0853330 VCP-RJ45-Cat5-10**  
RJ45 Plugs × 10

**0853350 VCP-RJ45-Cat6-10**  
RJ45 Plugs × 10

**0853320 VSCT-RJ45**  
RJ45 crimp tool

**0853380 VFCEP-RJ45-Cat5-10**  
RJ45 FAST plug × 10

**0853400 VFCEP-RJ45-Cat6-10**  
RJ45 FAST plug × 10

**0853370 VFCT-RJ45 FAST**  
RJ45 FAST crimp tool

**0872170 DIAMOND4K**  
All in one CCTV\IP\Cable Test Monitor

