



WIP2722BV

2MP IP IR Bullet Camera

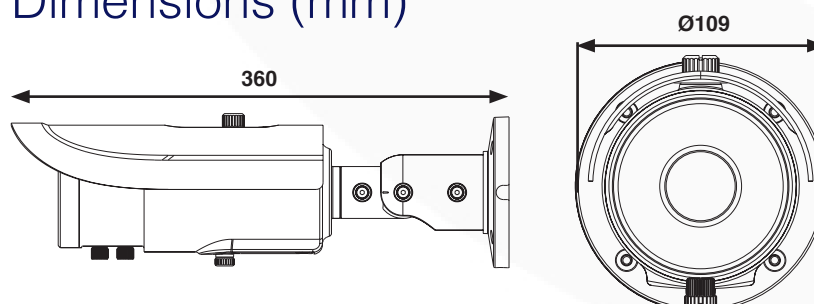


WIP2722BV (With WIPJBBV Junction Box)

Key Features

- 1080P Full Real-Time Coding
- Up to 60m IR Distance (In Ideal Conditions)
- 7 - 22mm Megapixel Lens
- 3D DNR
- Digital WDR
- CVBS Local Video
- True Day / Night
- MIC / Line in G.711A / U Audio Codec
- Two Way Audio
- IP and MAC Address Filtering
- Configuration Backup
- Image Export to Micro SD Card
- Alarm Image Size Dependent on Set Stream Resolution
- RTSP Streaming with or without Authentication
- Mirror & Flip Image
- Multiple Privacy Masking
- Physical Alarm Output
- Alarm Trigger and Alarm Input with Own Scheduler
- Remote Monitoring
- Supports Smart Phones & Tablets, P2P Connectivity

Dimensions (mm)



DATASHEET

www.geniecctv.com
 sales@geniecctv.com
 T: +44 (0) 1707 330 541
 F: +44 (0) 1707 330 543

Genie CCTV Ltd.
 CCTV House, City Park,
 Watchmead,
 Welwyn Garden City,
 Hertfordshire,
 AL7 1LT,
 United Kingdom

Technical Specification

Model Number	WIP2722BV
Image Sensor	1/2.9" CMOS
Image Pixels	1920 x 1080
Electronic Shutter	1/25s ~ 1/100,000s
Minimum Illumination	0 Lux (IR LED ON)
Lens	7 - 22mm
Lens Mount	CS
WDR	Yes
3D DNR	Yes
Video Compression	H.264
Resolution	1080P (1920 x 1080), 720P (1280 x 720), VGA (640 x 480), QVGA (320 x 240)
Multi-Stream	1920 x 1080 (1-30fps) / 1280 x 720 (1-30fps) 1280 x 720 (1-10fps) / 640 x 480 (1-30fps) / 320 x 240 (1-30fps)
Bit Rate	64Kbps ~ 8Mbps
Encode Mode	VBR / CBR
Quality	Five Levels Under VBR, Freely Adjustable Under CBR
Image Settings	Saturation, Brightness, Contrast, etc Adjustable through Client Software or Web Browser
Audio Compression	G711A
Network Interface	RJ45
Video Output	BNC x1
Audio Interface	Two Way Audio (MIC In x1, MIC Out x1)
Storage Card	Support SD Card up to 64GB
RS485	Yes
Alarm Input	1 Ch
Alarm Output	1 Ch
Remote Monitoring	IE Browsing, CMS Remote Control
Online Connection	Support Simultaneous Monitoring for up to 4 Users Support Multi-Stream Real Time Transmission
Protocol	TCP/IP, UDP, DHCP, NTP, RTSP, PPPoE, DDNS, SMTP, FTP
Storage	SD Card Local Storage, Network Remote Storage
Smart Alarm	Motion Alarm, Sensor Alarm
Day & Night	ICR
PTZ	RS485 x1
PoE	Yes
IR Distance	Up to 60m (In Ideal Conditions)
IP Rating	IP66
Power Supply	DC12V / PoE
Power Consumption	2.64W
IR ON	6.72W
Operating Conditions	Temperature: -40°C ~ 50°C Humidity: 10% ~ 90%
Dimensions (Ø x H)	Ø109 x 360 mm
Weight	1685g

Features and specifications are subject to change for further improvement without any notice

Accessories

- **WIPJBBV** - Junction Box for WISH IP Bullet Cameras
- **FILTERKIT4** - Filter Set Up Kit
- **PSU2SM** - In-Line DC12V 2A Output, Regulated Switch Mode PSU with Fixing Mount
- **POE-INJ01** - PoE Injector, Single Port