



WIP2EB

WISH IP 2MP IP IR Eyeball Camera

WIP2EB is a 2MP IP IR Eyeball Camera with a 3.6mm Lens. In ideal conditions, it can reach up to 20m IR Distance.

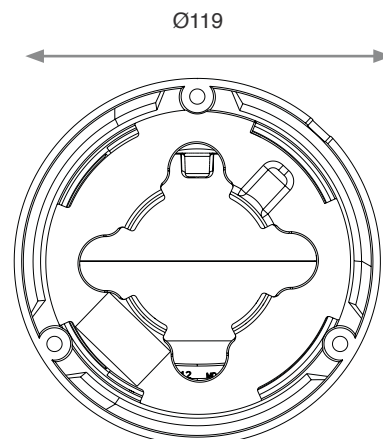
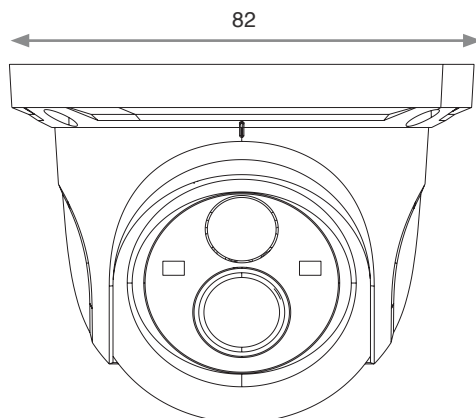


WIP2EB

Key Features

- Full 1080P Real-Time Coding
- Up to 20m IR Distance (In Ideal Conditions)
- 3D DNR
- Digital WDR
- CVBS Local Video
- True Day / Night
- One Way Audio
- Dual Streaming
- Supports ROI Specific Area Encoding
- Multiple Privacy Masking
- Supports Smart Phones & Tablets, P2P Connectivity
- Remote Monitoring

Dimensions (mm)





Technical Specification

Model Number	WIP2EB
Image Sensor	1/3" CMOS
Image Pixels	1280 x 960
Electronic Shutter	1/25s ~ 1/100,000s
Minimum Illumination	0 Lux (IR LED On)
Lens	3.6mm
Lens Mount	CS
WDR	Yes
3D DNR	Yes
Video Compression	H.264
Resolution	1080P (1920 x 1080), 960P (1280 x 960), 720P (1280 x 720), VGA (640 x 480), QVGA (320 x 240)
Multi-Stream	1280 x 960 (1-30fps) / 1280 x 720 (1-30fps) 1280 x 720 (1-10fps) / 640 x 480 (1-30fps) / 320 x 240 (1-30fps)
Bit Rate	64Kbps ~ 4Mbps
Encode Mode	VBR / CBR
Quality	Five Levels Under VBR, Freely Adjustable Under CBR
Image Settings	Saturation, Brightness, Contrast, etc Adjustable through Client Software or Web Browser
Audio Compression	G711A
Network Interface	RJ45
Video Output	BNC x1
Audio Interface	One Way Audio (MIC In x1)
Remote Monitoring	IE Browsing, CMS Remote Control
Online Connection	Support Simultaneous Monitoring for up to 6 Users Support Multi-Stream Real Time Transmission
Protocol	TCP/IP, UDP, DHCP, NTP, RTSP, PPPoE, DDNS, SMTP, FTP
Storage	Network Remote Storage
Smart Alarm	Motion Alarm
Day & Night	ICR
IR Distance	Up to 20m (In Ideal Conditions)
IP Rating	IP66
Power Supply	DC12V / PoE
Power Consumption	2.2W
IR On	4.72W
Operating Conditions	Temperature: -40°C ~ 50°C Humidity: 10% ~ 90%
Dimensions (ø x H)	ø119 x 82 mm
Weight	669g

Genie CCTV reserves the right to change specifications without notice. Please contact your representative to confirm current specifications.

Accessories

- **WIPEBSBW** - WISH IP Stand Off Base for WIP Eyeball Cameras
- **PSU1SM** - In-Line DC12V 1A Output, Regulated Switch Mode PSU, with Fixing Mount