

WIP2VDV

2MP IP IR Dome Camera

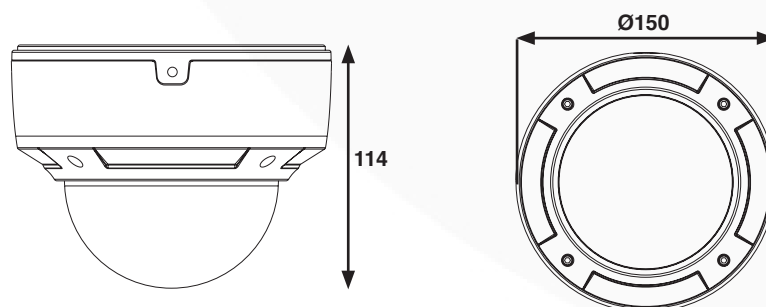


WIP2VDV

Key Features

- 1080P Full Real-Time Coding
- MIC / Line in G.711A / U Audio Codec
- RTSP Streaming with or without Authentication
- Mirror & Flip Image
- Multiple Privacy Masking
- Physical Alarm Output
- Alarm Trigger and Alarm Input with Own Scheduler
- Remote Monitoring
- Supports Smart Phones & Tablets, P2P Connectivity
- 2.8 - 12mm Megapixel Lens
- Up to 25m IR Distance (In Ideal Conditions)
- 3D DNR
- Digital WDR
- CVBS Local Video
- True Day / Night
- Two Way Audio
- IP and MAC Address Filtering
- Configuration Backup
- Image Export to Micro SD Card
- Alarm Image Size Dependent on Set Stream Resolution

Dimensions (mm)



DATASHEET

www.geniecctv.com
 sales@geniecctv.com
 T: +44 (0) 1707 330 541
 F: +44 (0) 1707 330 543

Genie CCTV Ltd.
 CCTV House, City Park,
 Watchmead,
 Welwyn Garden City,
 Hertfordshire,
 AL7 1LT,
 United Kingdom

Technical Specification

| | |
|----------------------|--|
| Model Number | WIP2VDV |
| Image Sensor | 1/2.9" CMOS |
| Image Pixels | 1920 x 1080 |
| Electronic Shutter | 1/25s ~ 1/100,000s |
| Minimum Illumination | 0 Lux (IR LED ON) |
| Lens | 2.8 ~ 12mm |
| Lens Mount | CS |
| WDR | Yes |
| 3D DNR | Yes |
| Video Compression | H.264 |
| Resolution | 1080P (1920 x 1080), 720P (1280 x 720), VGA (640 x 480), QVGA (320 x 240) |
| Multi-Stream | 1920 x 1080 (1-30fps) / 1280 x 720 (1-30fps) 1280 x 720 (1-10fps) / 640 x 480 (1-30fps) / 320 x 240 (1-30fps) |
| Bit Rate | 64Kbps ~ 8Mbps |
| Encode Mode | VBR / CBR |
| Quality | Five Levels Under VBR, Freely Adjustable Under CBR |
| Image Settings | Saturation, Brightness, Contrast, etc Adjustable through Client Software or Web Browser |
| Audio Compression | G711A |
| Network Interface | RJ45 |
| Video Output | BNC x1 |
| Audio Interface | Two Way Audio (MIC In x1, MIC Out x1) |
| Storage Card | Support TF Card up to 64GB |
| RS485 | Yes |
| Alarm Input | 1 Ch |
| Alarm Output | 1 Ch |
| Remote Monitoring | IE Browsing, CMS Remote Control |
| Online Connection | Support Simultaneous Monitoring for up to 6 Users Support Multi-Stream Real Time Transmission |
| Protocol | TCP/IP, UDP, DHCP, NTP, RTSP, PPPoE, DDNS, SMTP, FTP |
| Storage | TF Card Local Storage, Network Remote Storage |
| Smart Alarm | Motion Alarm, Sensor Alarm |
| Day & Night | ICR |
| PTZ | RS485 x1 |
| PoE | Yes |
| IR Distance | Up to 25m (In Ideal Conditions) |
| IP Rating | IP66 |
| Power Supply | DC12V / PoE |
| Power Consumption | 2.76W |
| IR ON | 6.48W |
| Operating Conditions | Temperature: -40°C ~ 50°C Humidity: 10% ~ 90% |
| Dimensions (Ø x H) | Ø150 x 114 mm |
| Weight | 880g |

Features and specifications are subject to change for further improvement without any notice

Accessories

- **WIPJBVDV** - Junction Box for WISH IP Vandal Domes
- **WIPWVDV** - Wall Mount Bracket for WIP13VDV, WIP2VDV, WIP3VDV
- **WIPCVDV** - Ceiling Mount Bracket for WIP13VDV, WIP2VDV, WIP3VDV
- **FILTERKIT4** - Filter Set Up Kit
- **PSU2SM** - In-Line DC12V 2A Output, Regulated Switch Mode PSU with Fixing Mount
- **POE-INJ01** - PoE Injector, Single Port