



WIP3B5

WISH IP 3MP IP IR Bullet Camera

The WIP3B5 is a True Day/Night, 3MP IP IR Bullet Camera with a 6mm Lens. With an effective range of 30m in ideal conditions. DC12V / PoE

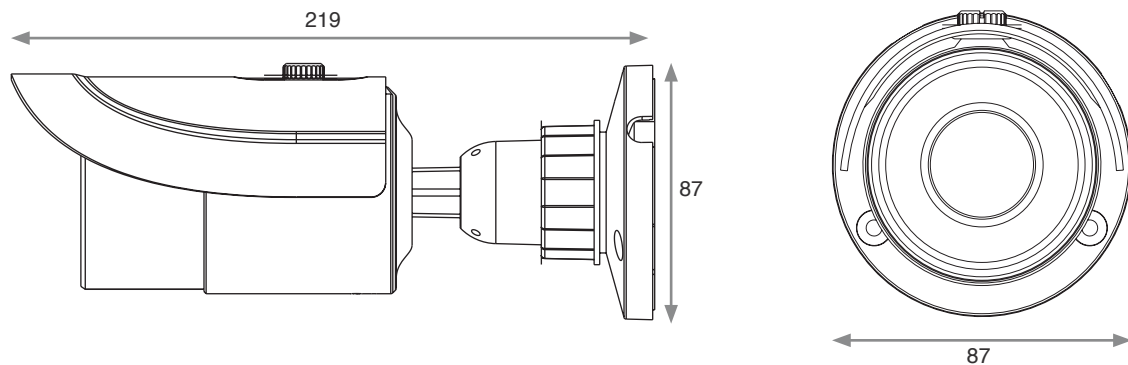


WIP3B5

Key Features

- 1080P Full Real-Time Coding
- Up to 30m IR Distance (In Ideal Conditions)
- 6mm Megapixel Lens
- 3D DNR
- Digital WDR
- CVBS Local Video
- True Day / Night
- One Way Audio
- Configuration Backup
- H.265 Compression
- RTSP Streaming with or without Authentication
- Mirror & Flip Image
- Multiple Privacy Masking
- Physical Alarm Output
- Alarm Trigger and Alarm Input with Programmable Schdeule
- Supports Smart Phones & Tablets with Own App
- P2P Connectivity

Dimensions (mm)



DATASHEET



Technical Specification

Model Number	WIP3B5
Image Sensor	1/3" CMOS
Image Pixels	2304 / 1296
Electronic Shutter	1/25s ~ 1/100,000s
Minimum Illumination	0.05 Lux (IR LED ON)
Lens	3.3 - 12mm
WDR	Yes
3D DNR	Yes
Video Compression	H.265 / H.264 / MJPEG
Resolution	3MP (2304 / 1296), 1080P (1920 x 1080), 720P (1280 x 720), VGA (640 x 480), QVGA (320 x 240)
Multi-Stream	3MP (1-30fps) / 1920 x 1080 (1-30fps) / 1280 x 720 (1-30fps) 1280 x 720 (1-10fps) / 640 x 480 (1-30fps) / 320 x 240 (1-30fps)
Bit Rate	64Kbps ~ 8Mbps
Encode Mode	VBR / CBR
Quality	Five Levels Under VBR, Freely Adjustable Under CBR
Image Settings	ROI, Saturation, Brightness, Contrast, etc Adjustable through Client Software or Web Browser
Network Interface	RJ45
Video Output	CVBS Video Output (BNC x 1)
Online Connection	Support Simultaneous Monitoring for up to 4 Users Support Multi-Stream Real Time Transmission
Protocol	TCP/IP, UDP, DHCP, NTP, RTSP, PPPoE, DDNS, SMTP, FTP
Storage	Network Remote Storage
Smart Alarm	Motion Alarm
Day & Night	ICR
PoE	Yes
IR Distance	Up to 30m (In Ideal Conditions)
IP Rating	IP66
Power Supply	DC12V / PoE
Operating Conditions	Temperature: -20°C ~ 50°C Humidity: 10% ~ 90%
Dimensions (Ø x L)	Ø87 x 219 mm
Weight	609g

Genie CCTV reserves the right to change specifications without notice. Please contact your representative to confirm current specifications.

Accessories

- PSU1SM - In-Line DC12V 1A Output, Regulated Switch Mode PSU, with Fixing Mount
- POE-INJ01 - PoE Injector, Single Port POE-INJ01 - PoE Injector, Single Port
- WIPMPJB - Multi Platform Junction Box