



WIP3BV5M

WISH IP 3MP IR Varifocal STARVIS Bullet Camera

The WIP3BV5M is a True Day/Night IP IR Varifocal Bullet Camera with a 2.8-12mm Lens. With an effective IR Range of 50m in ideal conditions. The camera has H.265 profile video compression and a Sony STARVIS Sensor.

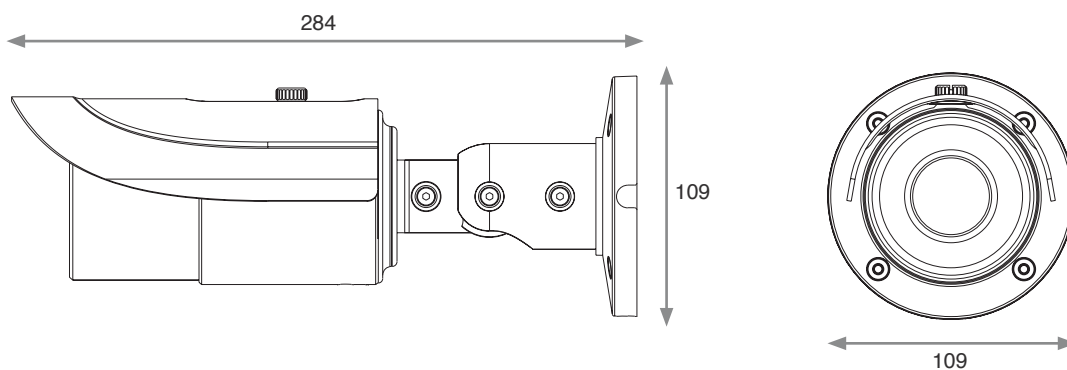


WIP3BV5M

Key Features

- H.264 / H.265 Video Compression
- Full Real-Time Coding
- Up to 50m IR Distance (In Ideal Conditions)
- 2.8 - 12mm Lens
- 3D DNR
- Digital WDR
- CVBS Local Video
- True Day / Night
- MIC / Line in G.711A / U Audio Codec
- Two Way Audio
- Configuration Backup
- Image Export to Micro SD Card
- RTSP Streaming with or without Authentication
- Mirror & Flip Image
- Multiple Privacy Masking
- Physical Alarm Output
- Alarm Trigger and Alarm Input with Programmable Schedule
- Supports Own App with Smart Phones & Tablets

Dimensions (mm)





Technical Specification

Model Number	WIP3BV5M
Image Sensor	1/2.8" CMOS
Image Pixels	2048 x 1536
Electronic Shutter	1/25s ~ 1/100,000s
Minimum Illumination	0.01 Lux (IR LED On)
Lens	2.8 ~ 12mm
WDR	Yes
3D DNR	Yes
Video Compression	H.265 / H.264 / MJPEG
Resolution	3MP (2048 x 1536), 1080P (1920 x 1080), 720P (1280 x 720), VGA (640 x 480), QVGA (320 x 240)
Multi-Stream	1920 x 1080 (1-30fps) / 1280 x 720 (1-30fps) 1280 x 720 (1-10fps) / 640 x 480 (1-30fps) / 320 x 240 (1-30fps)
Bit Rate	64Kbps ~ 8Mbps
Encode Mode	VBR / CBR
Quality	Five Levels Under VBR, Freely Adjustable Under CBR
Image Settings	ROI, Saturation, Brightness, Contrast, etc Adjustable through Client Software or Web Browser
Audio Compression	G711A / U
Network Interface	RJ45, 10M / 100M self-adaptive
Audio Interface	Two Way Audio (MIC In x1, MIC Out x1)
Video Output Interface	CVBS, BNC x1
RS485	Yes
Alarm Input	1 Ch
Alarm Output	1 Ch
Remote Monitoring	IE Browsing, CMS Remote Control
Online Connection	Support Simultaneous Monitoring for up to 4 Users Support Multi-Stream Real Time Transmission
Protocol	TCP/IP, UDP, DHCP, NTP, RTSP, PPPoE, DDNS, SMTP, FTP
Storage	Network Remote Storage, Support TF Card, Up to 64GB
Smart Alarm	Motion Alarm, Sensor Alarm
IR Distance	Up to 50m (In Ideal Conditions)
IP Rating	IP66
Power Supply	DC12V / PoE
Operating Conditions	Temperature: -20°C ~ 50°C Humidity: 10% ~ 90%
Dimensions (Ø x L)	Ø109 x 284 mm
Weight	1093g

Genie CCTV reserves the right to change specifications without notice. Please contact your representative to confirm current specifications.

Accessories

- PSU1SM - In-Line DC12V 1A Output, Regulated Switch Mode PSU, with Fixing Mount
- POE-INJ01 - PoE Injector, Single Port POE-INJ01 - PoE Injector, Single Port
- WIPJBBV - Junction Box for Varifocal Lens Bullet Cameras
- WIPMPJB - Multi Platform Junction Box

