



# WIP3PTZ20IR5

## 3MP IP PTZ Speed Dome

The WIP3PTZ20IR5 is a 1/2.8 "CMOS 3MP IP PTZ Speed Dome with a 20x Zoom 5.5 to 110mm Lens. The camera is able to see up to 100m IR Illumination during lowlight in ideal conditions. The PSU and Wall Bracket are included.

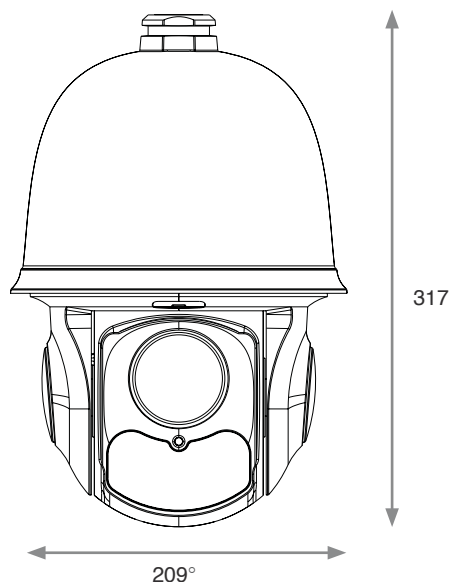


WIP3PTZ20IR5

### Key Features

- 1/2.8 "CMOS 3MP Progressive Scan
- 3MP (2048 x 1536), 1080P (1920 x 1080), 720P (1280 x 720), VGA (640 x 480)
- 5.5 ~ 110mm, 20 x Zoom Lens
- SD Card Local Storage / Snapshot Images
- Network Remote Storage
- Web GUI Menu for Engineer Setup
- H.265 Video Compression
- CVBS Video Output
- 1x Audio Input, 1x Audio Output
- 1 NO/NC Alarm Inputs / 1 Alarm Output
- Up to 100m IR Illumination (In Ideal Conditions)
- PSU and Wall Bracket Included

### Dimensions (mm)





# Technical Specification

Model Number	WIP3PTZ20IR5
Image Sensor	1/2.8" Progressive CMOS
Image Pixels	3MP (2048 x 1536)
Minimum Illumination	0 Lux
IR Distance	Up to 100m
WB	Auto/Manual
S/N Ratio	>48dB
Day/Night	Auto/Manual
Focus Mode	Auto/Manual
Lens	20x Zoom, f=5.5 ~ 5.5mm - 110m, F1.6 ~ F3.5
Pan Range	360° Endless Rotation
Pan Speed	Preset Speed: 240° /S: Manual Control Speed: 0.5 ~ 90°/S
Tilt Range	0 ~ 93° (Auto Rotation)
Tilt Speed	Preset Speed: 160°/S: Manual Control Speed: 0.5~90°/S
PTZ Control	Yes
Preset	255
Patrol	8
Pan	4
Time Task	8
Scan	2
Home Position Display	Yes
Auto Flip	Yes
Alarm Input	1Ch
Alarm Output	1CH
Compression	H.265
Frame Rate	1 ~ 30fps (25fps)
Protocol	TCP/IP, UDP, DHCP, DDNS, NTP, RTSP, SMTP, FTP, PPPoE
Storage	SD Card Local Storage, Network Remote Storage, Still Images
Smart Alarm	Motion Alarm ,Sensor Alarm
Resolution	3MP (2048 x 1536), 1080P (1920 x 1080), 720P (1280 x 720), D1, CIF, 480 x 240
Multi-Stream	Yes
Network Interface	10Base-T/100Base-TX, RJ45
Audio	Mic Input x1, Mic Output x1
Analogue Output	CVBS
Control	Network
Power Supply	AC24V/3000mA (PSU Included)
Power Consumption	15w (Max.65W,IR ON Heater ON)
Working Environment	Temperature: -20°C ~ 60°C, Humidity: Less than 95%
IP Rating	6kv Lighting protection, IP66
Dimensions (Ø x H)	Ø209 x 317 mm
Weight	3.5kg

Genie CCTV reserves the right to change specifications without notice. Please contact your representative to confirm current specifications.

## Accessories

- **MPSWAN** - Multi Platform Swan Neck Bracket