



WIP5BV5

WISH IP 5MP IP IR Varifocal Bullet Cameras

The WIP5BV5 is a True Day/Night, IP, IR Varifocal Bullet Camera with a 2.8-12mm Lens. With an effective IR range of 50m in ideal conditions.

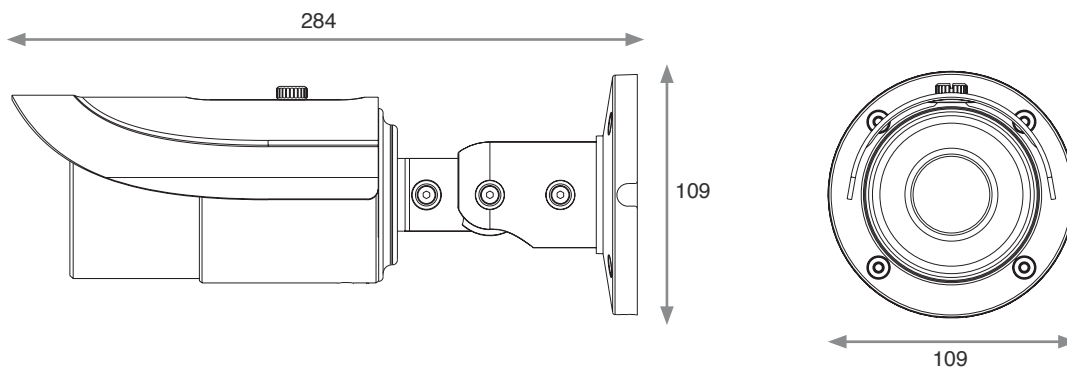


WIP5BV5

Key Features

- 5MP Resolution
- Up to 50m IR Distance (In Ideal Conditions)
- 2.8 - 12mm Megapixel Lens
- 3D DNR
- Digital WDR
- CVBS Local Video
- True Day / Night
- MIC / Line in G.711A / U Audio Codec
- Two Way Audio
- Configuration Backup
- H.265 Compression
- Image Export to Micro SD Card
- Alarm Image Size Dependent on Set Stream Resolution
- RTSP Streaming with or without Authentication
- Mirror & Flip Image
- Multiple Privacy Masking
- Physical Alarm Output
- Alarm Trigger and Alarm Input with Programmable Schedule
- Supports Own App on Smart Phones & Tablets
- Supports P2P

Dimensions (mm)





Technical Specification

Model Number	WIP5BV5
Image Sensor	1/1.8" CMOS
Image Pixels	2592 x 1944
Electronic Shutter	1/25s ~ 1/100,000s
Minimum Illumination	0 Lux (IR LED On)
Lens	2.8 ~ 12mm
Video Format	PAL / NTSC
WDR	Yes
3D DNR	Yes
Video Compression	H.265 / H.264 / MJPEG
Resolution	5MP(2592x1944), 2K(2560x1440), 1080P(1920x1080), 720P(1280x720), D1, CIF, 480x240
Main Stream	60Hz: 5MP(1~30fps) / 2K(1~30fps) / 1080P(1~30fps) / 720P(1~30fps) 50Hz: 5MP(1~25fps) / 2K(1~25fps) / 1080P(1~25fps) / 720P(1~25fps)
Frame Rate	3MP (1~30fps) / 1920 x 1080 (1~30fps) 1280 x 720 (1~10fps) / D1 (1~30fps) / CIF (1~30fps) CIF (1~30fps) / 480 x 240 (1~30fps)
Bit Rate	64Kbps ~ 4Mbps
Encode Mode	VBR / CBR
Quality	Five Levels Under VBR, Freely Adjustable Under CBR
Image Settings	Saturation, Brightness, Contrast, etc Adjustable through Client Software or Web Browser
Audio Compression	G711A
Network Interface	RJ45
Audio Interface	Two Way Audio (MIC In x1, MIC Out x1)
Video Output Interface	BNC x1
RS485	Yes
Alarm Input	1 Ch
Alarm Output	1 Ch
Online Connection	Support simultaneous monitoring for up to 10 users and multi-stream transmission
Protocol	TCP/IP, UDP, DHCP, NTP, RTSP, PPPoE, DDNS, SMTP, FTP
Storage	Support TF Card, Up to 64GB
Smart Alarm	Motion Alarm, Sensor Alarm
Day & Night	ICR
IR Distance	Up to 50m (In Ideal Conditions)
IP Rating	IP66
Power Supply	DC12V / PoE
Operating Conditions	Temperature: -40°C ~ 50°C Humidity: 10% ~ 90%
Dimensions (Ø x L)	Ø109 x 284 mm
Weight	1132g

Genie CCTV reserves the right to change specifications without notice. Please contact your representative to confirm current specifications.

Accessories

- **WIPMPJB** - Multi-Platform Junction Box for WISH IP Range, White
- **WIPMPJBG** - Multi-Platform Junction Box for WISH IP Range, Grey
- **WIPJBBV** - Junction Box for WISH IP Varifocal Bullet Cameras, White
- **WIPJBBVG** - Junction Box for WISH IP Varifocal Bullet Cameras, Grey
- **PSU1SM** - In-Line DC12V 1A Output, Regulated Switch Mode PSU, with Fixing Mount