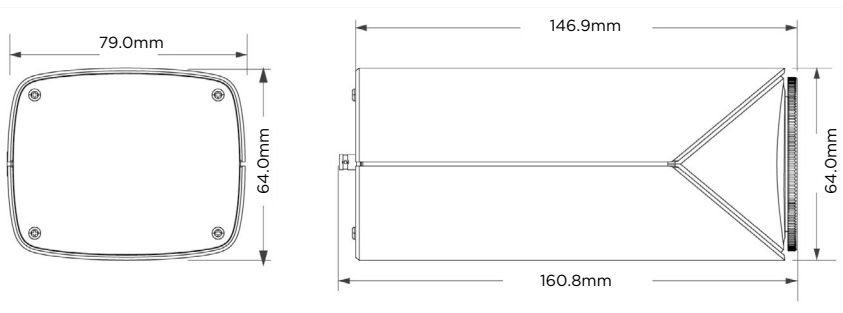


HD Analogue Box Camera

VA-X2MP



Please note: Lens available separately.



The VA Analogue 1/2.8" 2MP IP Box Camera serves as a visible deterrent whilst offering enhanced image quality through a wide dynamic range feature.

The camera supports quad format analogue video via AHD/TVI/CVI and CVBS using a physical push button to move between connections.

The C/CS* lens mounting gives access to a wide choice of lenses enabling you to accommodate your customer's individual site requirements. This also offers flexibility to update the camera as security needs change, making it an ideal choice for large scale installations.

Additional features include Digital noise reduction, Auto white balance, BLC, Sharpness, Mirror and 13-language support.

Accompanying the VA series of cameras is the VA series of NDAA compliant analogue DVR recorders.

**Supports CS lenses out of the box, for C Mount lenses a C/CS adapter is required (not included).*

To learn more about Vista's NDAA compliant video surveillance products please visit www.norbain.com/brands/vista

KEY FEATURES

2MP Box

AHD/TVI/CVI/CVBS
Video Support

C/CS* lens support

0.001 lux@F1.2
Minimum Illumination

IP54 Ingress Protection

TEL
+44 (0) 118 912 5000

**To scan the QR code, make sure your phone/device has a suitable reader. Most modern Android and iOS smartphone cameras will automatically scan the code and provide the product's URL link, which will open from the device's web browser.






TECHNICAL SPECIFICATION

Model	VA-X2MP
CAMERA	
Image Sensor	1/2.8" CMOS Progressive Scan
Max Resolution	2MP
Video Output	AHD/TVI/CVI/CVBS
Min Illumination	Colour: 0.001 lux@F1.2, AGC ON
WDR	DWDR
Shutter Time	Auto; 1/25s-1/50000s (PAL); 1/30s-1/50000s (PAL)
Day/Night Mode	Day/Night/Auto True Day Night IR Cut Filter
Signal/Noise	≥52dB (AGC OFF)
LENS	
Type	C/CS
Iris Control	Auto
VIDEO	
Max. Image Resolution	1920x1080
Image System	PAL/NTSC
Frame Rate	30fps (60Hz); 25fps (50Hz)
OTHER FEATURES	
Digital Noise reduction, Auto white balance, BLC, Sharpness, Mirror, Smart IR, 13-language support	
GENERAL	
Working Condition	-10°C - 40°C, 10% - 90% (relative humidity)
Environment	IP54
Power Supply	DC12V (±15%)
Power Consumption	< 1.0W
Surge Protection	6kV
Dimensions/Weight	160.8×79×64mm/0.444KG
COMPLIANCE	
CE	EMC\RoHS

MODELS IN THIS RANGE

0917360	VA-B2MP28V12IR
2MP Bullet 2.8-12mm IR	
0917380	VA-T2MP28V12IR
2MP Turret 2.8-12mm IR	
0917400	VA-D2MP28V12IRVR
2MP Dome 2.8-12mm IR & vandal resistant	
0917420	VA-B5MP28V12IR
5MP Bullet 2.8-12mm IR	
0917440	VA-T5MP28V12IR
5MP Turret 2.8-12mm IR	
0917460	VA-D5MP28V12IRVR
5MP Dome 2.8-12mm IR & vandal resistant	
0917490	VA-X2MP
2MP Box camera	

ASSOCIATED PRODUCTS

0898340	13VG2812AS-VI	
2.8-12mm F1.4 DD		
0898350	M13VG550IR	
5-50mm F1.6 IR 2MP		
0785200	VPSU12-1000E	
VPSU12-1000E 12VDC 1A, Encapsulated		
0785210	VPSU12-2000e	
12VDC 2A Encapsulated		
0785220	VPSU1221EXTe	
12VDC 1 x 2A, IP68		

OTHER PRODUCTS

0910670	VA-DVR0405MP
4CH 5MP H.265 HD Hybrid DVR	
0910680	VA-DVR0805MP
8CH 5MP H.265 HD Hybrid DVR	
0910690	VA-DVR1605MP
16CH 5MP H.265 HD Hybrid DVR	
0922960	VM215
HDMI & VGA 21.5" Monitor	
0922950	VM32
HDMI/VGA & BNC (CVBS) 32" Monitor	
0872170	DIAMOND4K
All in one CCTV\IP\Cable Test Monitor	