

## Datasheet

### VIDEO ENTRY/ CDV-4791S-DX Kit - 1-way entry kit

#### Product description

The 2EASY Series from CDVI offer advanced communication directly to your mobile device thanks to its WiFi connection with no monthly or annual subscription cost.

Thanks to its 2-wire non polarised connection, installation and maintenance is simple and straightforward.

The CDV-47DX now includes WiFi connection and a new mobile app, allowing users to control access from their mobile phone by receiving calls or remotely releasing multiple locks. (max 2 locks when used with optional CDV-RLC)

#### Key features

- Monitor available in black or white
- Slimline design door station
- 2-wire connection
- Expandable (*contact CDVI technical support for more information*)
- WiFi connection and mobile app



CDV-47DX



CDV-PC6

CDV-91S



Certification



DEEE



RoHS Certification

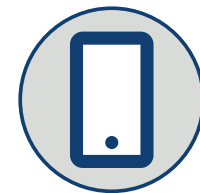
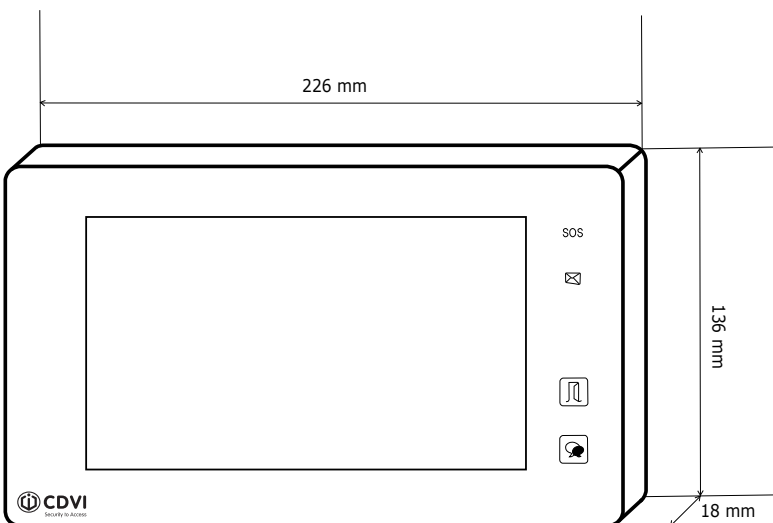
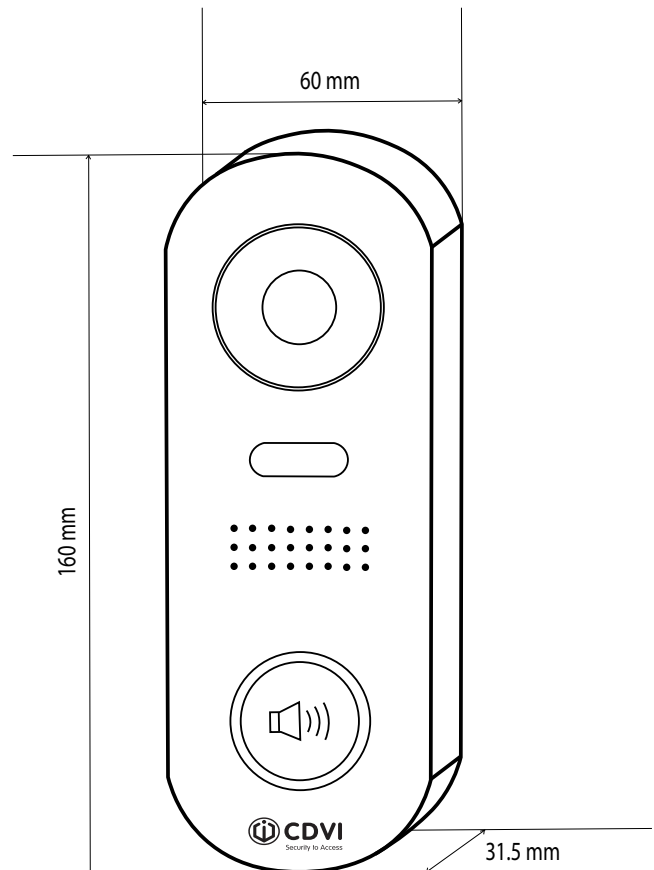
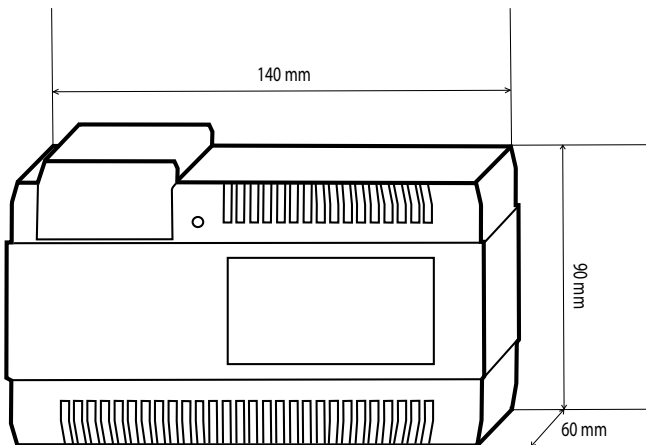
## Kit includes

**CDV-47DX:** 7" colour WiFi connectable monitor with touch screen

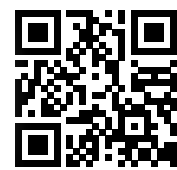
**CDV-91S:** 1-way door station, 1 button

**CDV-PC6:** Power/Bus combiner

(see respective datasheets for more information)



**Download the app today!**



Search: VDP Connect

All the information contained within this document (pictures, drawing, features, dimensions, specifications), could be perceptibly different and can be changed without prior notice. - April 2020 - CDVI\_CDV-4791S-DX\_DS\_02\_EN\_A4\_C