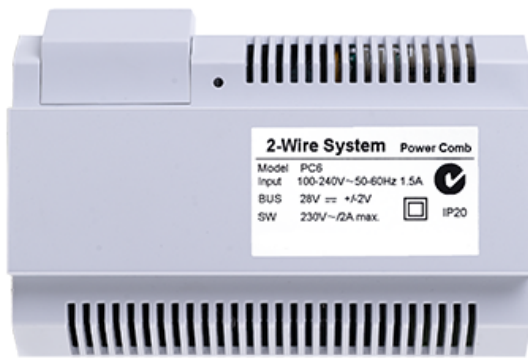


CDV479**6KP**-DX KIT MANUAL



IMPORTANT:

Limitations of this manual: This is provided to allow basic installation and set up of this kit, for advanced features please see device manuals included in each product box.

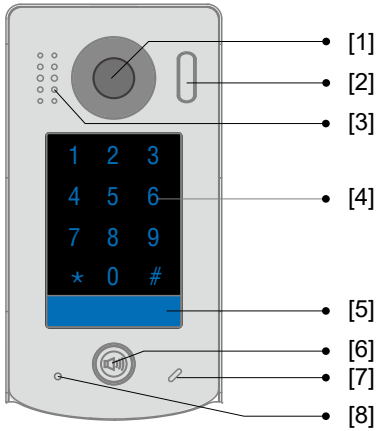
Note: For WiFi Set up please see the CDV47DX manual Pg. 21

1. Kit Contents
2. CDV96KP Parts and Functions
 - 2.1: Terminals Description & Dip Switches
 - 2.2: Installation
3. CDV-PC6 Parts and Functions
 - 3.1: Product Description
 - 3.2: Terminals Description
4. CDV47DX Part and Functions
 - 4.1: Terminals & Installation
 - 4.2: Mounting
 - 4.3: Main menu
 - 4.4: Installer Setting
 - 4.5: User Code (Monitor ID/Address) setting
 - 4.6: Unlock Time Setting
 - 4.7: Unlock Mode setting
5. Schematics & Wiring
 - 5.1: Basic Bus Wiring
 - 5.2: Multiple Door Panel Bus Wiring
 - 5.3: Parallel (daisy/In-out) Bus Wiring
 - 5.4: Star Bus Wiring
 - 5.5: Lock Connections
 - 5.6: Setting A User Code(PIN)
6. Specifications
 - 6.1: CDV96KP
 - 6.2: CDV-PC6
 - 6.3: CDV47DX
- 7: Cable Requirements

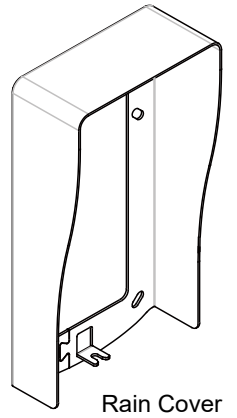
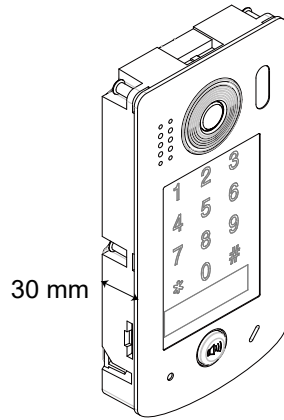
1. CDV4796KP-DX KIT CONTENTS

1 x CDV96KP	-	1 Button Video Entry Panel c/w Keypad
1 x CDV-PC6	-	Power/Bus Combiner
1 x CDV47DX	-	TFT Touch screen Internal Monitor
1 x 145mm Din Rail		
1 x CDV4796KP-DX Kit Manual		

2: CDV96KP Parts and Functions

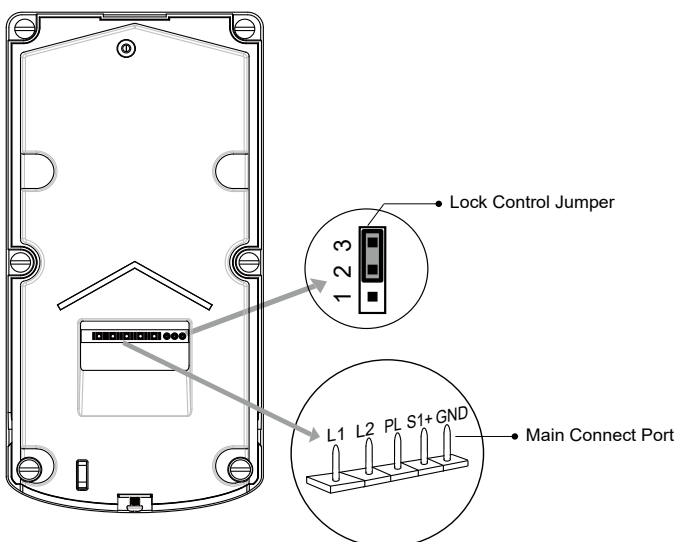


CDV96KP



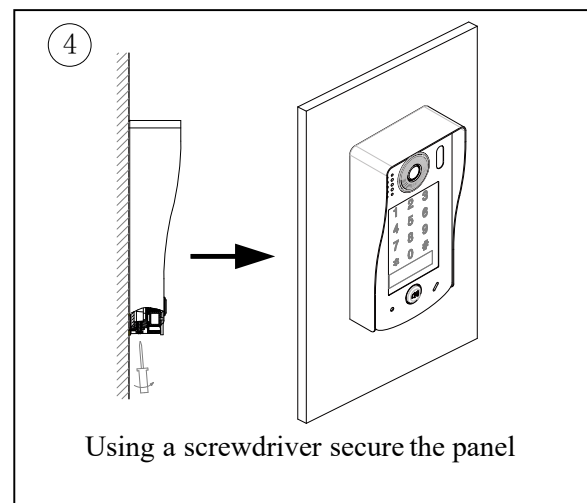
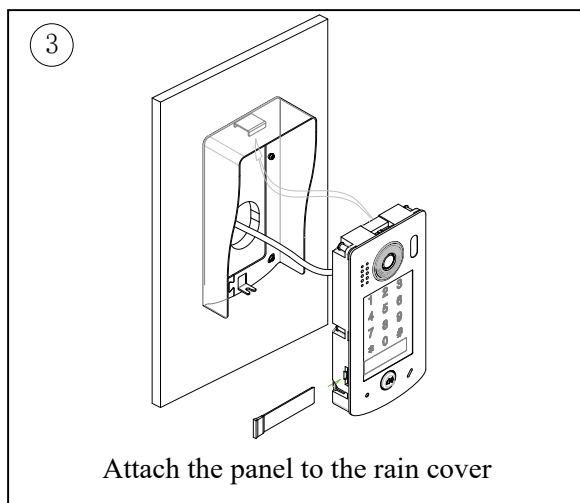
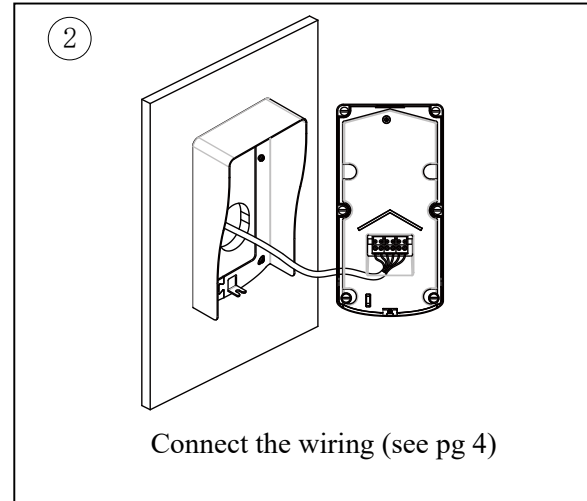
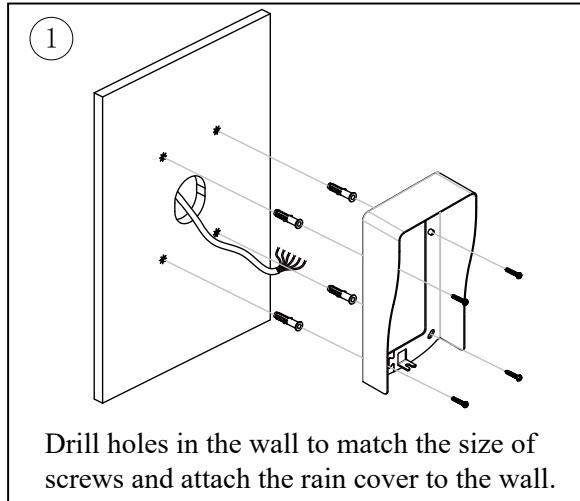
- | | | |
|-----------------|------------------|----------------|
| [1] Camera lens | [4] Touch keypad | [7] Microphone |
| [2] Camera LED | [5] Keypad LED | [8] Power LED |
| [3] Speaker | [6] Call button | |

2.1: Terminal Descriptions



- **Lock Control Jumper:** To select the lock type.
- **Main Connect Port:** For connection of the bus line and the electronic locks.
- **L1, L2:** Bus line connection, no polarity
- **PL:** External lock power input
- **S1+, GND:** Lock power connection port.

3: Mounting



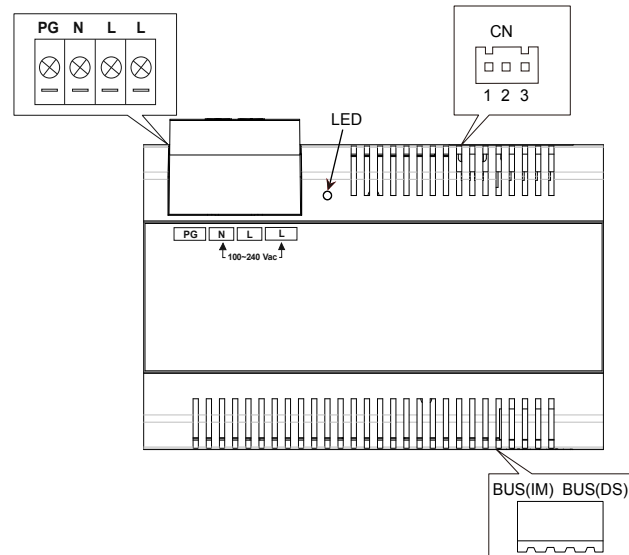
3: CDV-PC6A Parts and Functions

3.1: Description

The PC6A is a power/bus combiner unit, which is designed for the CDV 2Easy 2 wire system to supply power for the external station, internal monitor and other accessories on the bus. It can operate as a normal power/bus combiner or auxiliary PSU. The features are as follows:

- Universal AC input/full range
- Multi protection: short circuit, overload, over voltage
- Integrated with CDV-DPS (power separator)
- Support up to 4 to 8 monitors (dependent on models)
- DIN Rail Mounting

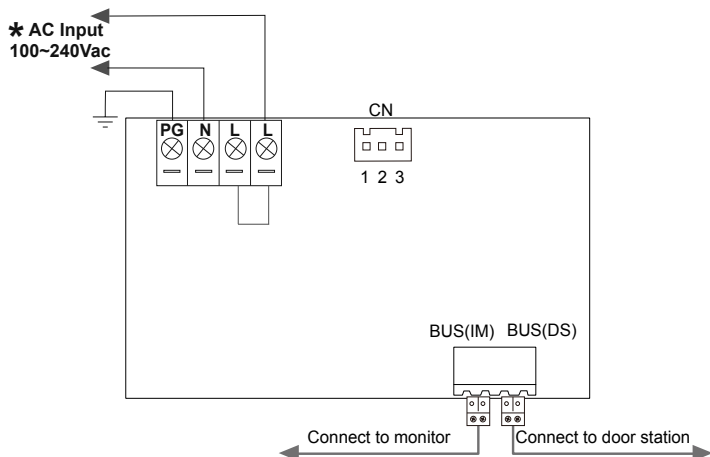
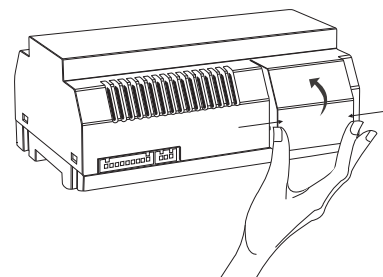
3.2: Terminal Descriptions



PG:	Earth ground terminal.
N:	AC input terminal.
L:	AC input terminal.
LED:	Power indicator, on when power connected.
CN:	Bus control terminal.
BUS(IM):	Indoor monitor connection terminal.
BUS(DS):	Door station connection terminal.

Open the AC cover:

1. Push the cover base towards the centre with your fingers;
2. Lift up and pull out the cover.
After connecting the AC cable, it is advised to replace the cover.



Note:

1. The AC cable is not included in the package, it must comply to the specific requirements of country where installed.
2. Pins 1&2 should be short-circuited with a C3-3P link (included in the package), if the unit operates as a standard power combiner. If operating as an auxiliary power combiner, the link should be removed.

4: CDV47 Parts and Functions

4.1: Terminal description

L1,L2: Bus line terminal.

SW+,SW-: Doorbell input connection port.

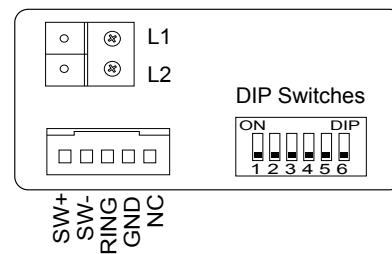
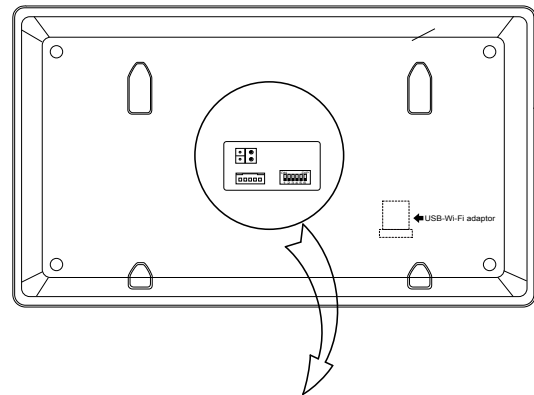
Ring,GND: Extension buzzer input connection port.

NC: Reserved.

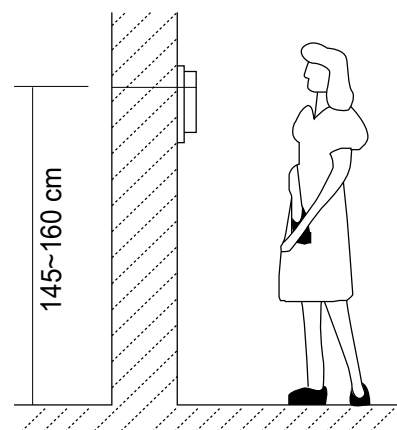
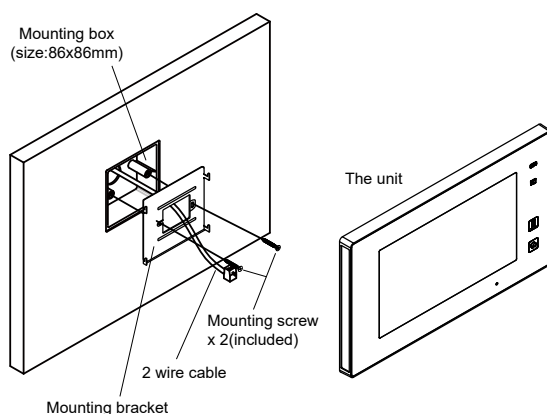
DIP switches Bit1~Bit5: Reserved.

Bit6: Video impedance matching switch.

Set to ON if the monitor is at the end of the line or operates with CDV-DBC4, otherwise, set to OFF.



4.2: Mounting



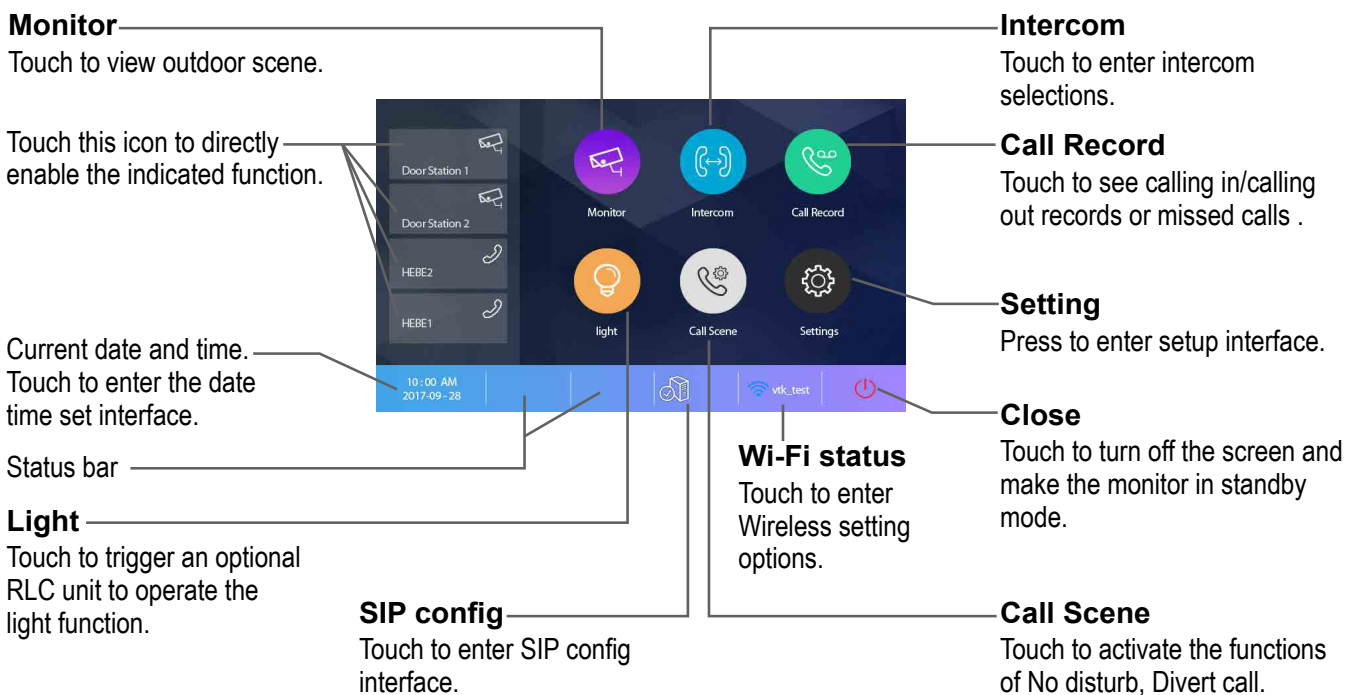
The installation height is suggested to 145~160cm.

1. Use screws to fasten the mounting bracket to the wall with a standard single gang flush light switch back box.
2. Connect the 2 wire cables to the unit.
3. Mount the unit to the mounting bracket, make sure the unit is securely attached to the mounting bracket.







4.3: Main Menu




The Main menu is your starting point for using all the applications on your monitor.

Touch **Unlock** button, or touch anywhere of the screen on monitor in standby mode, the Main menu will appear as follow:



Function status

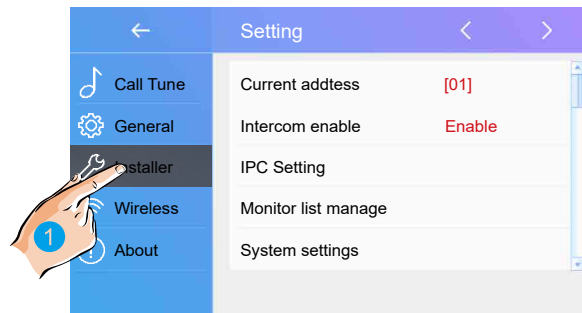
Icon	Meaning	Description
	Missed call	Displayed when there is missed call Touch to review the missed call in shortcut.
	No disturb	Displayed when the function activated
	Call transfer	Touch to enter Call Scene interface in shortcut.
	SIP server connection active and configured	Touch to enter SIP server information interface in shortcut.
	SIP server connection disabled	
	SIP server connection active and not connected	

Icon	Meaning	Description
	Wi-Fi connection active and not connected	Touch to enter Wi-Fi setting interface in shortcut.
	Wi-Fi connection disabled	
	Wi-Fi connection active and configured	

4.4: Installer Settings

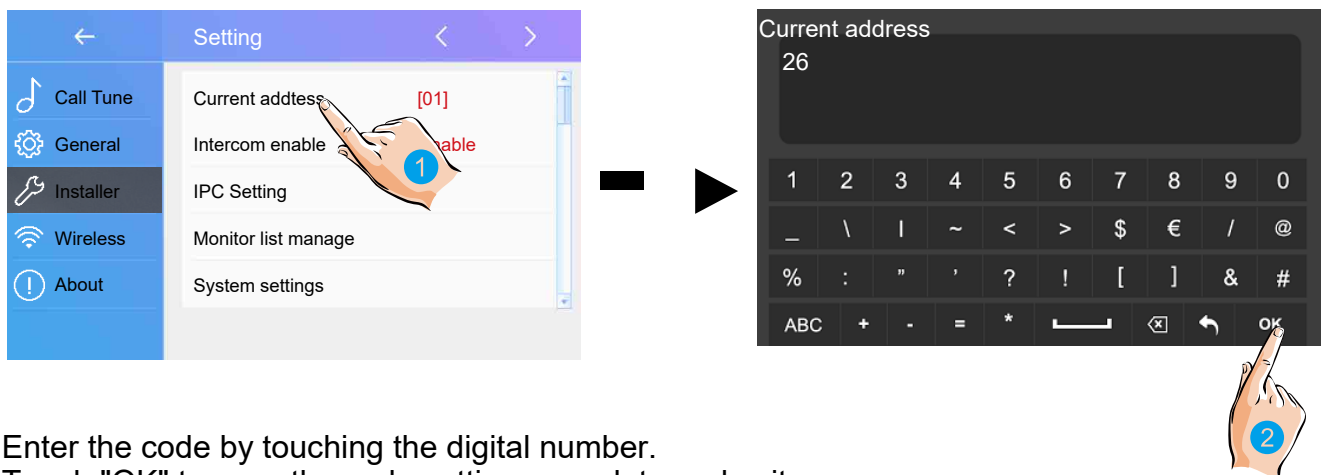
This section contains the device address setting and system settings.

1. Touch to enter installer setting interface.



4.5: Users code setting

Touch to set the user code for each monitor.



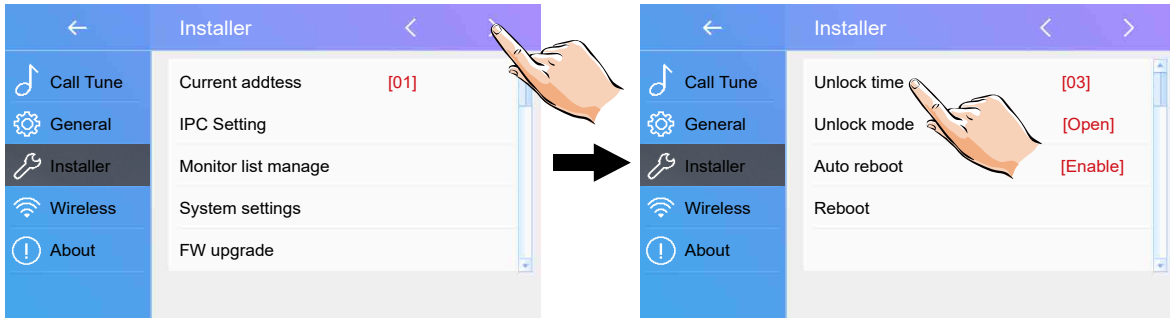
1. Enter the code by touching the digital number.
2. Touch "OK" to save the code setting, complete and exit.

Notes:

1. If dip switches 1-5 are set the monitor will show the "Dip switch setting page"
2. A maximum of 32 ID's can be set; 0 to 31.

4.6: Unlock Time Setting

Setting the unlock time.

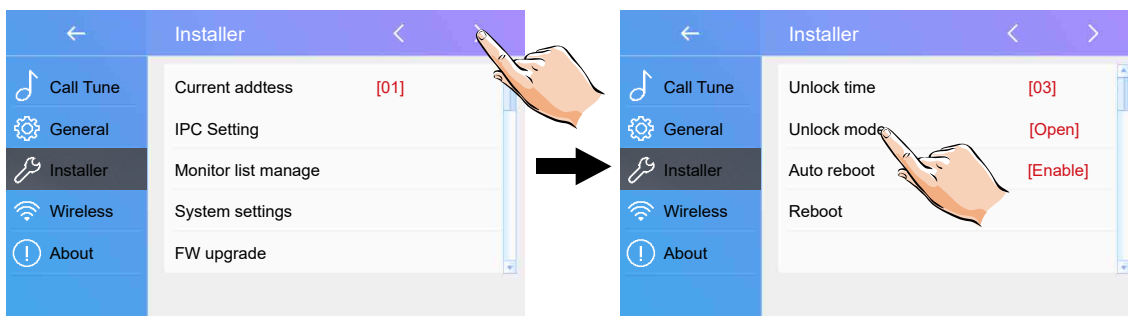


The unlock time can be changed by yourself at any time. It can be set from 01 to 99 seconds.

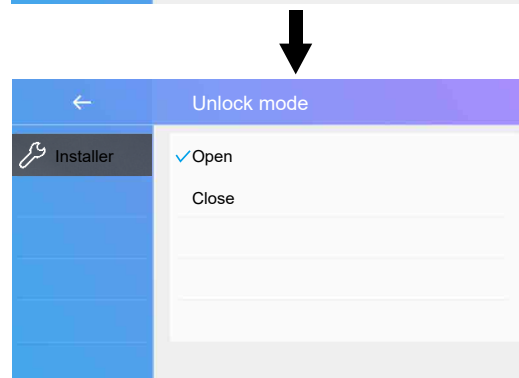


4.7: Unlock Mode Setting

Setting the unlock mode.

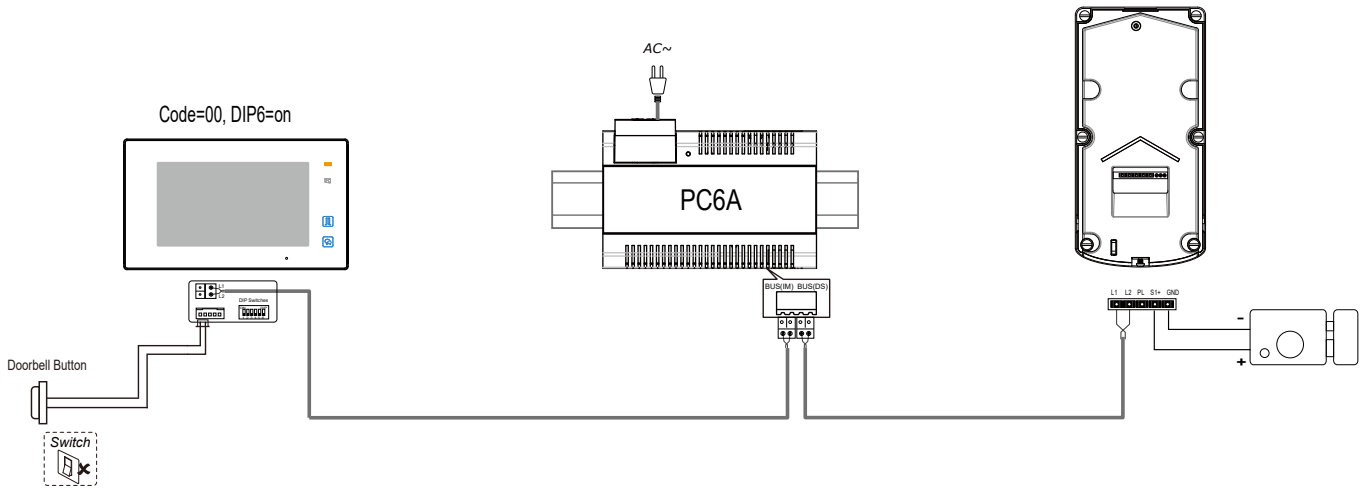


There are two unlock modes:
1. power-on- to-unlock type = Open
2. power-off-to-unlock = Close.

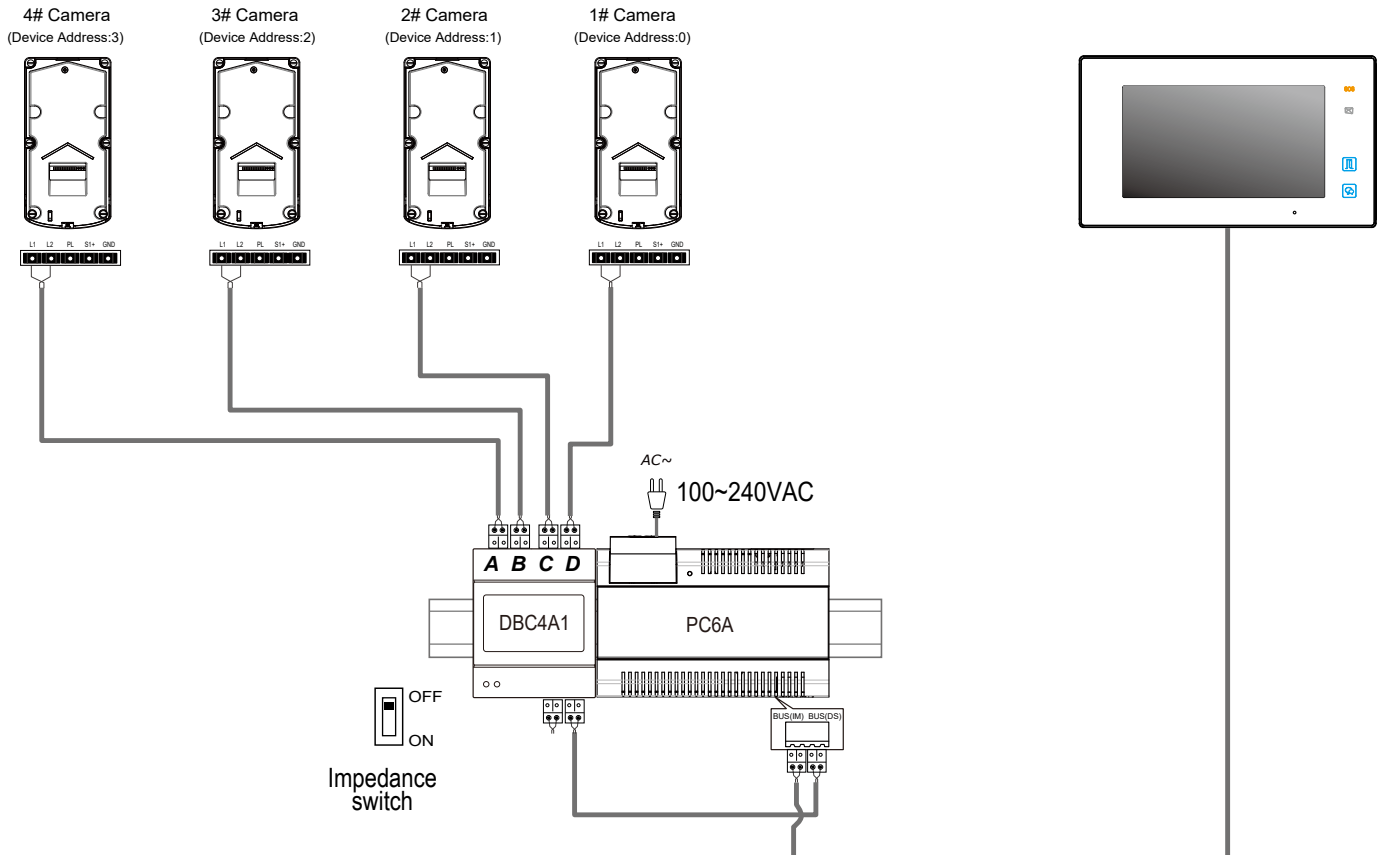


5: System Wiring and Connections

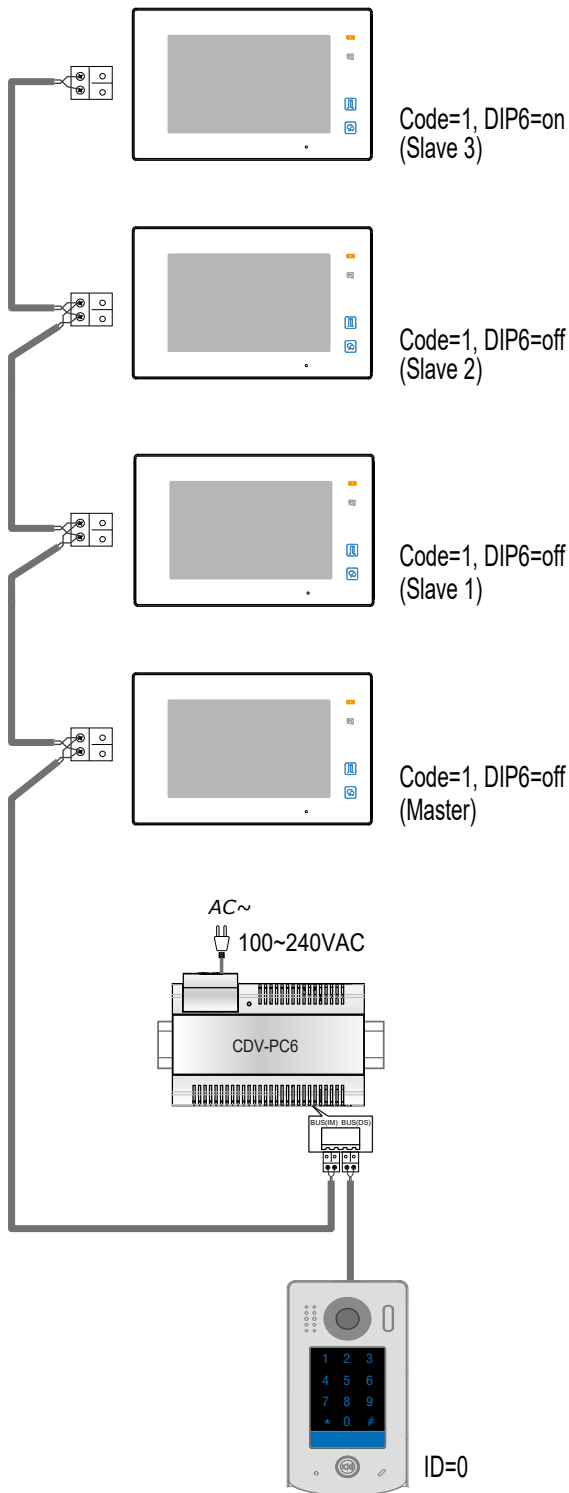
5.1: Basic Connection



5.2: Multi Door Stations Connection

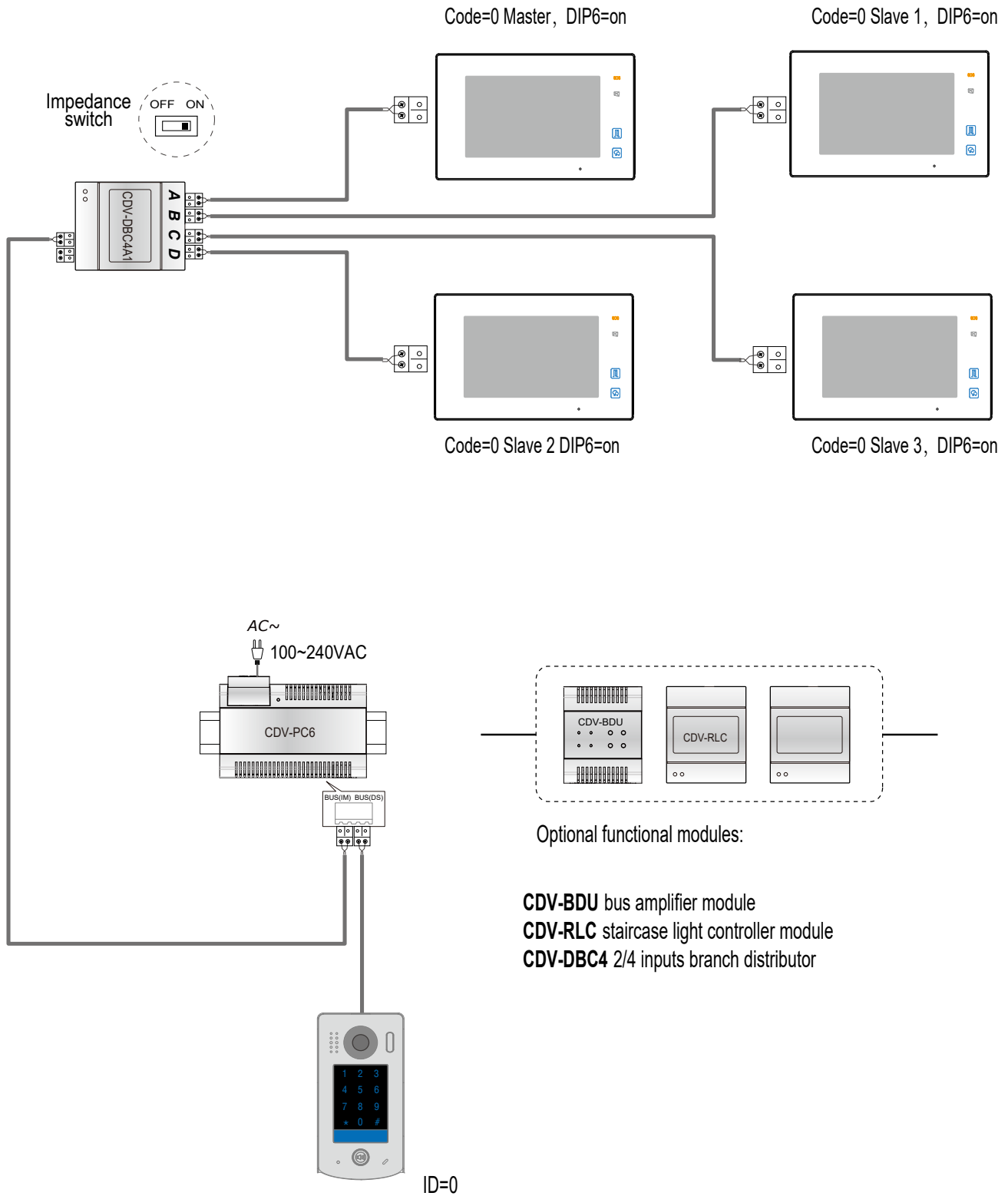


5.3: Basic IN-OUT Wiring in Standard Mode



- The door station is compatible with other monitors within the 2Easy range.
- For the last monitor connected to the system, DIP6 should be set to **ON**.

5.4: Star Topology Wiring With CDV-DBC4A1 in Standard Mode



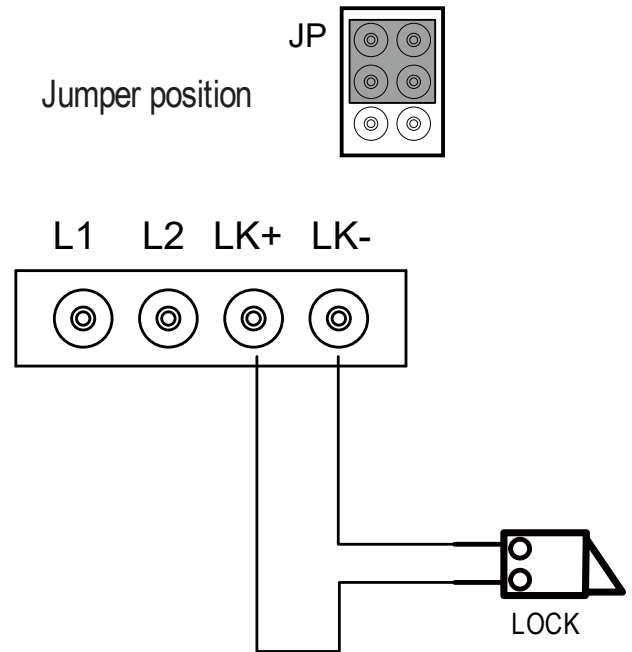
- The system can be extended by up to 3 slave monitors for each monitor. It is recommended to use a distributor CDV-DBC4 for the extension.

5.5: Electric Lock Connection

Door Lock Controlled with Internal Power

Note:

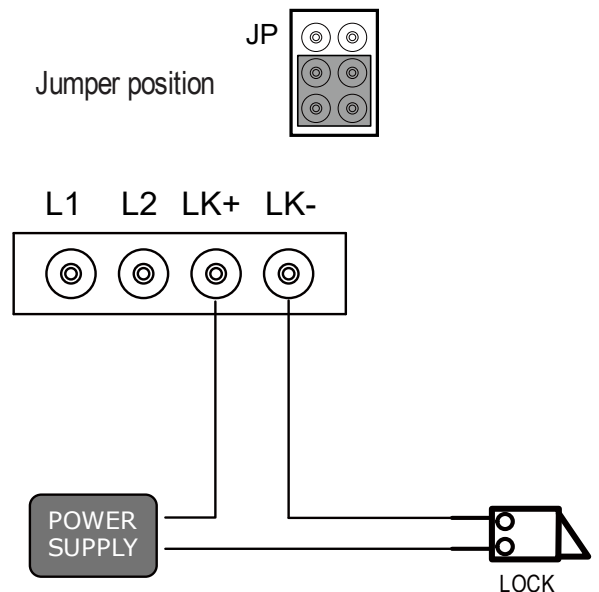
1. This mode only supports strike type locks.
2. Strike type locks of Power-on-to-unlock (fail secure) type should be used.
3. The door lock is limited to 12V, and holding current must be less than 250mA.
4. The **Unlock Mode** Parameter of the Monitor must be set to 0 (default).



Door Lock Controlled with Dry Contact

Note:

1. An external power supply must be used according to the lock power requirements.
2. The internal relay contact is restricted to AC or DC Max 24V/1A.
3. Setup the Unlock Mode of Monitor for different lock types.
 - Power-on-to-unlock (Fail Secure) type: Unlock Mode=0 (default)
 - Power-off-to-unlock (fail safe) type: Unlock Mode=1

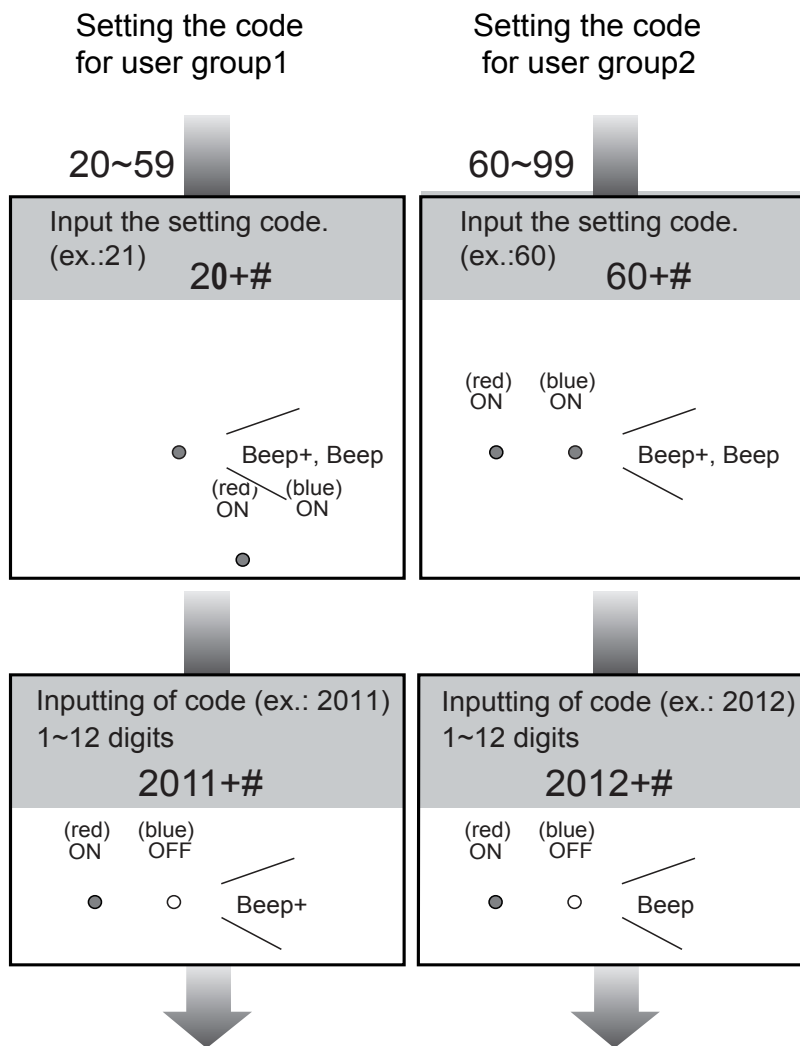


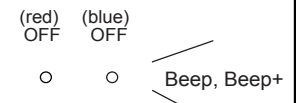
5.6: Setting User Codes (PIN)

Setting a User Code for Lock 1(User Group1) and Lock 2(User Group 2) on the CDV

Enter programming mode by entering 1234#, 2 beeps will be heard.

(Master code 1234 can be changed if required - for more setting please refer to the CDV96KP manual)



- When the “ * cancel!” key is pressed, the LED lights off, the buzzer beeps, and the system exits the setting mode
 - When there isn't any operation in 10s, the LED lights off, the buzzer beeps, and the system exits the setting mode
- 

6: Specifications:

6.1: CDV91S Specifications

- Power Supply : DC 24V
- Power Consumption: Standby 14mA; Working status 122mA
- Camera: Color CMOS, 2.0 Mega pixel
1/2.7" fisheye camera, 170⁰ wide angle
- Lock Power supply: 12Vdc, 250mA(Internal power)
- Mounting: Surface mounting
- Working temperature: -15⁰C to +55⁰C
- Dimension: 182(H)×93(W)×44(D)mm

6.2: CDV-PC6 Specifications

- Input Voltage: 100~240Vac
- Input Frequency: 50~60Hz Rated
- Output Voltage: DC 28V+2V Rated
- Output Current: 1.5A
- Working Temperature -10⁰C to +50⁰C
- Input Voltage: Max 230vac, 2A
- Dimension: 140(H) x 90(W) x 60(D)mm

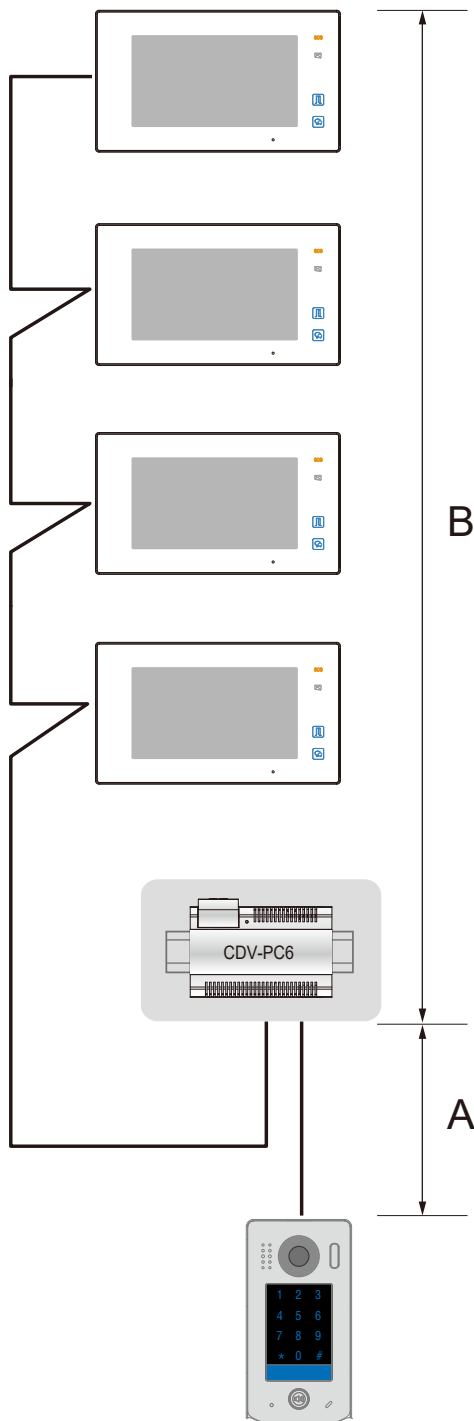
6.3: CDV-47DX Specifications

- Power supply: DC 20~28V
- Power consumption: Standby 0.3W; Working 7W
- Monitor screen: 7 Inch digital color TFT
- Display Resolutions: 800*3(R, G, B) x 480 pixels
- Video signal: 1Vp-p, 75Ω, CCIR standard
- Wiring: 2 wires, non-polarity
- Dimension: 132(H)×226(W)×18(D)mm

7: System Wiring and Connections

The maximum distance of the wiring is limited in the 2Easy system. Using different cables may also affect the maximum distance which the system can reach.

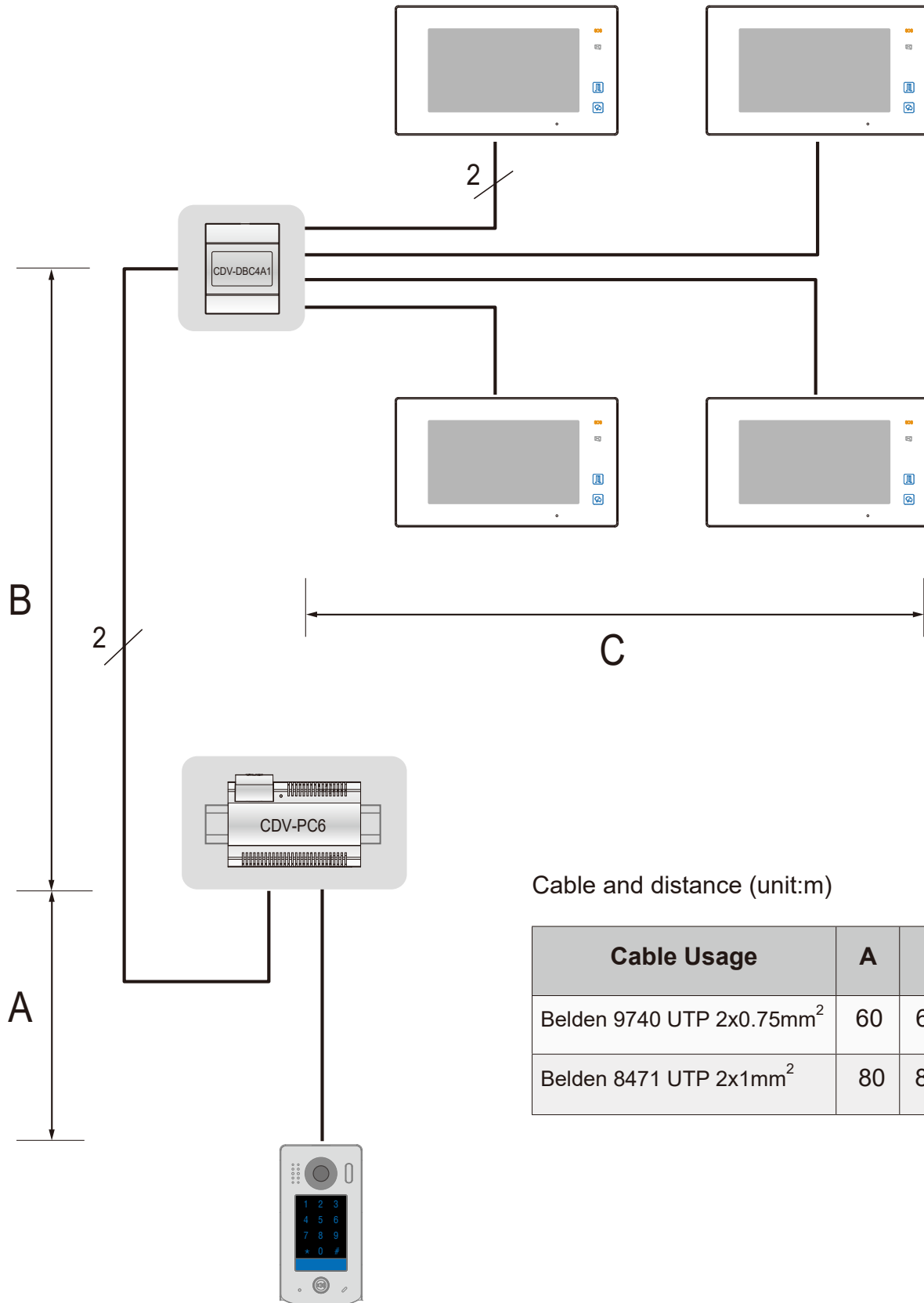
Basic IN-OUT Wiring Mode



Cable and distance (unit:m)

Cable Usage	A	B	
		≤ 2 IM	≤ 16 IM
Belden 9470 UTP 2x0.75mm ²	60	100	40
Belden 8471 UTP 2x1mm ²	80	120	60

Star Topology Wiring Mode With CDV-DBC4



Cable and distance (unit:m)

Cable Usage	A	B	C
Belden 9740 UTP 2x0.75mm ²	60	60	30
Belden 8471 UTP 2x1mm ²	80	80	40