

# DHI-IVS-F7500

## Distributed Face Recognition Server



As a mass data platform of face management, Dahua Face Recognition 7500 analyzes video stream and image as structural data and picture, and stores them in distributed database and distributed memory respectively. Boast excellent image comparison search engine technology, support fuzzy search of mass data and provide search results within seconds.

DHI-IVS-F7500 is mainly applied to city-class scene or project, just like safe city, security management of main traffic thoroughfares or plaza, business analysis of client for chain supermarkets, etc.

### Functions

- Support to detect the human face and capture the face from the designated area
- Support to upload the face picture of the suspect to system to find its information if it has been enrolled
- Support to compare the captured face picture with face pictures in enrolled database, if hit the target it will alert
- Support different alarm threshold value according to different enrolled database
- Support to detect the human face in the picture automatically and to compare it with the human face pictures in the enrolled database and captured database, popping up the results immediately
- Support maximum 300,000 human face pictures in enrolled database for wanted person alert dynamically
- Support to add, delete, modify and query the person information in the enrolled database, support batching import/export the pictures and compressed file
- Support up to 250 channels
- Support working with DSS-Pro

### Technical Specification

#### Hardware

Main Processor	Intel Xeon Gold 5120 x2
Memory	64GB
Operating System	Windows 10
Network	2 RJ-45 Ports (10/100/1000Mbps)
Storage	5 SATA 4TB HDD, 2 240GB SSD
USB	4 USB Ports (2 USB 2.0 , 2 USB 3.0 )
VGA	1 VGA Port
Power Supply	Hot-plug Redundant Power, 750W
Dimensions	2U, 928mm x 592mm x 327mm
Net Weight	30-32.7kg

#### Software

Face Recognition	8 x1080P Back-end face detection and recognition; 32 x1080P front-end face detection and back-end recognition
Face Feature	Age, Gender, Expression, Glasses
Capture Ratio	98%
Recognition Ratio	90%
Detection Pixel	1080P: 60 x60Pixel
Recognition Pixel	1080P: 120 x120Pixel
Deflection Angle	Up and down deflection maximum 15 degrees; left and right deflection maximum 30 degrees
Database	300K
Volume	At least 40M face images
Response	Less than 1s
Detection	Search the captured images according to time or location. Supports single or batch export.
Recognition	Search comparison results according to time or location. Supports single or batch export
Retrieve	Detects faces within images and compare them with the face library. Engage in multi-person search and order by similarity. Supports single or batch export
Library	Supports register library add, delete, edit, search, and batch import and export
Other	Support distributed management, up to 300channels Work with DSS-Pro

**Ordering Information**

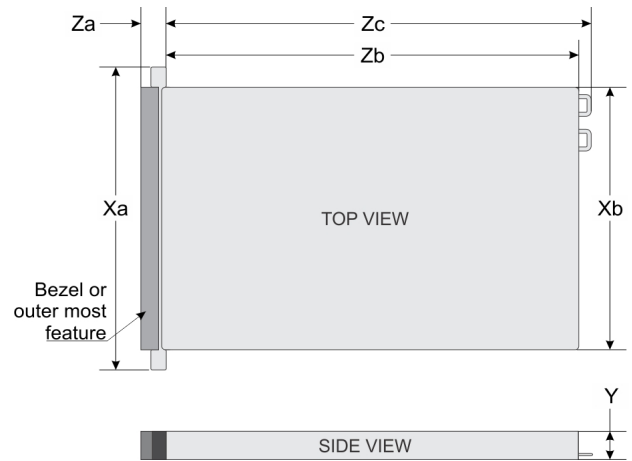
Type	Part Number	Description
IVS	DHI-IVS-F7500	Distributed Face Recognition Server
Relevant Products	DH-IPC-HF8242F-FD	2MP Starlight Face Detection Box Network Camera
	PLZ21C0-D	10.5-42mm Lens

**Relevant Products**



DH-HF8242F-FD

**Dimensions(mm)**



Xa	482.0mm	Xb	434.0mm
Y	86.8mm	Za	35.84mm
Zb	647.07mm	Zc	681.755mm