

# TDN WDR IR Micro Dome Camera

H2W2PRV3/H2W4PRV3

Honeywell's compact H2W2PRV3/H2W4PRV3 micro dome cameras are taking quality and reliability to the next level, providing outstanding picture clarity and hassle-free flexible system integration.



## Superior Image Quality

- Full HD 1080p 25/30 fps image with a 1/2.7" 2 megapixel sensor or full HD 4 MP 20 fps image with a 1/3" 4 megapixel sensor
- Wide Dynamic Range, up to 120 dB, ensures glare-free images
- True Day/Night provides vivid color images by day and clear black-and-white images at night with ICR
- Excellent low-light performance with 3D noise reduction, saving storage and bandwidth

## Flexible Surveillance Solution

- 2.8 mm fixed lens at F2.0
- H.264 and MJPEG codec, triple stream support
- IR LEDs provide up to 65 ft (20 m) of illumination in dimly lit or nighttime scenes (depending on scene reflectance)
- Smart IR technology provides even distribution of IR
- Weatherproof (IP66) and vandal-resistant (IK10) camera housing
- -30°C to 60°C (-22°F to 140°F) working temperature
- Plug-and-play compatible with Honeywell 4/8/16-channel Performance Series Embedded NVRs

## Easy to Install and Use

- Built-in PoE (Power over Ethernet) eliminates need for separate power supply and associated wiring; 12 VDC inputs where PoE power is unavailable
- Remote configuration through web client or from the NVR
- Compatible with Honeywell's HQA-BB3 junction box, HQA-WK2 wall mount, HQA-PM pole mount, and HB34S2-CM corner mount

## Market Opportunities

These flexible, fully featured cameras are ideal for a wide range of surveillance applications, providing excellent picture quality at minimal bandwidth while offering reliable protection against dust, dirt, and water.

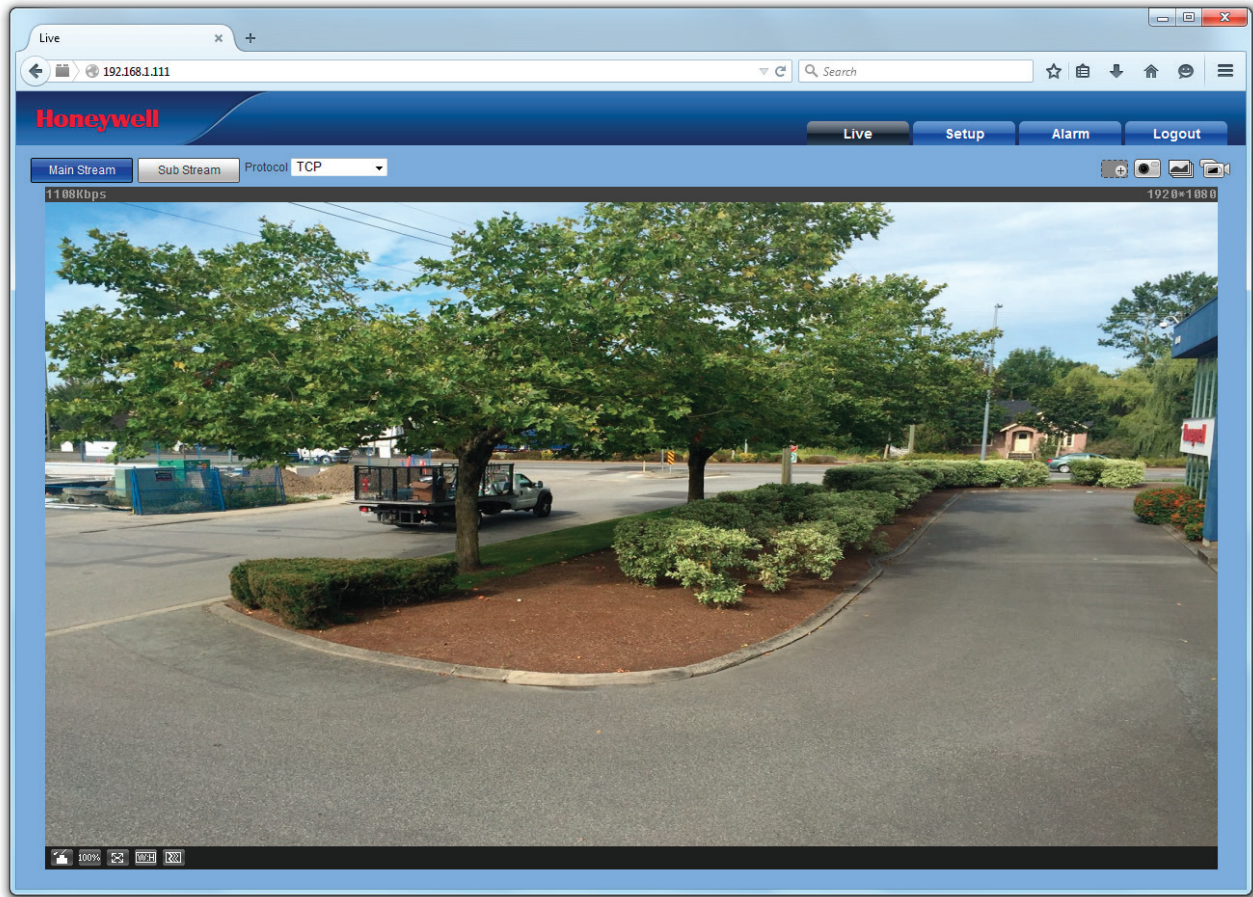
## FEATURES AND BENEFITS

- 1/2.7" 2 MP or 1/3" 4 MP progressive scan imager
- 2.8 mm fixed lens
- True day/night (IR-cut filter)
- Wide dynamic range up to 120 dB
- Low-light performance down to 0.01 lux (color) or 0 lux with IR LEDs on
- Up to 65 ft (20 m) IR illumination, depending on scene reflectance
- H.264 Main Profile compression
- Triple stream support
- Supports up to 20 connections
- Corridor mode
- PoE, 12 VDC support
- Plug-and-play compatible with Honeywell Performance Series Embedded NVRs
- IP66 and IK10-rated rugged housing

# TDN WDR IR Micro Dome Camera

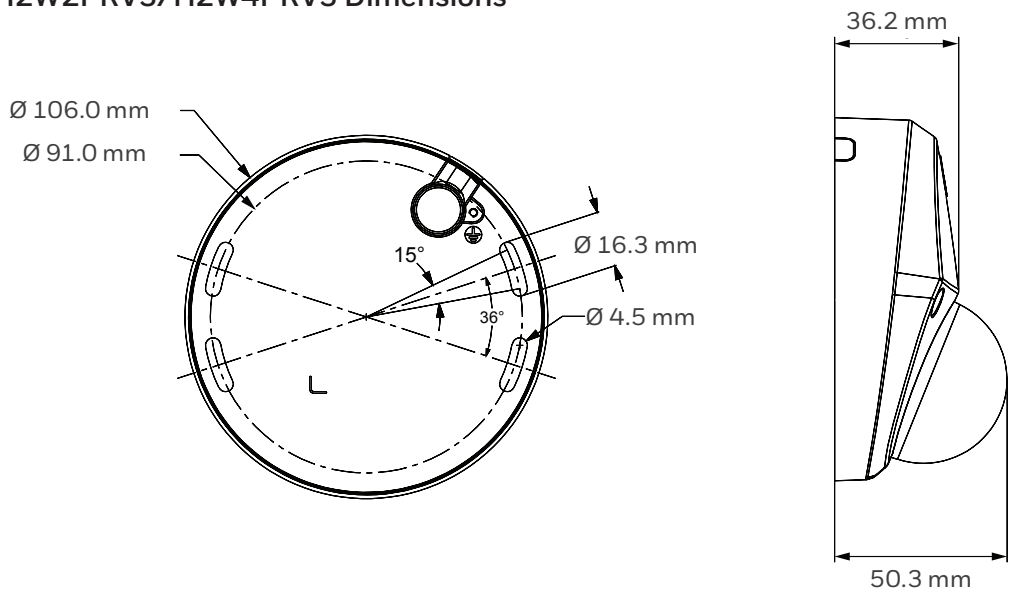
## Security Features

The camera can be configured to automatically detect and respond to events such as motion in the scene and/or camera tampering. Automated responses include sending a notification through email, FTP, and/or HTTP, and sending a still image of the event through email and/or FTP. Setup can be done using the web client or from an NVR.



## DIMENSIONS

### H2W2PRV3/H2W4PRV3 Dimensions



# TDN WDR IR Micro Dome Camera

## SPECIFICATIONS

OPERATIONAL	
VIDEO STANDARD	NTSC/PAL
SCANNING SYSTEM	Progressive scan
IMAGE SENSOR	H2W2PRV3: 1/2.7" 2 MP CMOS H2W4PRV3: 1/3" 4 MP CMOS
NUMBER OF PIXELS (H×V)	H2W2PRV3: 1920×1080 (2 MP) H2W4PRV3: 2688×1520 (4 MP)
MINIMUM ILLUMINATION	0.01 lux, F2.0 (color) 0 lux (B/W with IR LEDs on)
S/N RATIO	50 dB or more
ELECTRONIC SHUTTER SPEED	1/3–1/100 000 s
IR DISTANCE	Up to 65 ft (20 m), depending on scene reflectance
DAY/NIGHT	Auto(ICR)/Color/BW
BACKLIGHT COMPENSATION	BLC/HLC/WDR (120 dB)
WHITE BALANCE	Auto/Sunny/Night/Outdoor/Manual
GAIN CONTROL	Auto/Manual
NOISE REDUCTION	3DNR
PRIVACY MASKING	Up to 4 areas
MOTION DETECTION	Up to 4 areas
LENS	2.8 mm, F2.0
HORIZONTAL ANGLE OF VIEW	H2W2PRV3: 120° H2W4PRV3: 106°
CORRIDOR MODE	Yes
VIDEO	
VIDEO COMPRESSION	H.264/H.264H/H.264B/MJPEG
FRAME RATE	H2W2PRV3: 25/30 fps @ 1920×1080 (2 MP), 25/30fps @ 1280×1024 (SXGA), 25/30fps @ 1280×960 (1.3 MP), 1280×720 (720p), 704×576/704×480 (D1), 352×288/352×240 (CIF) H2W4PRV3: 20 fps @ 2688×1520 (4 MP); 20 fps @ 2560×1440 (4 MP); 25/30 fps @ 2304×1296 (3 MP), 1920×1080 (1080p), 25/30fps @ 1280×1024 (SXGA), 25/30fps @ 1280×960 (1.3 MP), 1280×720 (720p), 704×576/704×480 (D1), 352×288/352×240 (CIF)
BIT RATE (H.264)	32 Kbps – 10 Mbps
LOCAL STORAGE	microSD, 128 GB max.

AUDIO	
COMPRESSION	G.711, AAC
INTERFACE	Built-in mic
NETWORK	
ETHERNET	RJ-45 (10/100Base-T)
PROTOCOLS*	IPv4/IPv6, HTTP, HTTPS, SSL, TCP/IP, UDP, UPnP, ICMP, IGMP, SNMP, RTSP, RTP, SMTP, NTP, DHCP, DNS, PPPoE, DDNS, FTP, IP Filter, QoS, Bonjour, 802.1X
COMPATIBILITY	ONVIF Profile S, Profile G
MAX. USER ACCESS	20 users
MOBILE DEVICES	HonView Touch for iPhone and Android devices
ELECTRICAL	
POWER SUPPLY	PoE (802.3af), 12 VDC
POWER CONSUMPTION	5.0 W max.
MECHANICAL	
DIMENSIONS	106.0 × 50.3 mm (4.17 × 1.98 in.)
WEIGHT	1.04 lb (0.47 kg)
CONSTRUCTION	Die-cast aluminum housing with powder coat
CONSTRUCTION COLOR	RAL 9003 (White)
ENVIRONMENTAL	
TEMPERATURE	–30°C to 60°C (–22°F to 140°F)
RELATIVE HUMIDITY	0–95%, non-condensing
INGRESS PROTECTION	IP66
VANDAL RESISTANCE	IK10
REGULATORY	
EMISSIONS	FCC Part 15, CE (EN 55032)
IMMUNITY	CE (EN 50130-4)
SAFETY	North America UL Listed to UL/CSA 60950-1, CE (EN 60950-1)

\* Some development may be required in specific user cases to support some of these protocols in the field as they mature over time.

# TDN WDR IR Micro Dome Camera

## SPECIFICATIONS

### SYSTEM INTEGRATION

#### OPEN IP INTEGRATION

ONVIF support and open API software integration. Refer to [www.onvif.org](http://www.onvif.org) for the ONVIF specification and the Honeywell Open Technology Alliance website (<http://www.security.honeywell.com/hota/>) to learn more about our open and integrated solutions



### SYSTEM COMPATIBILITY

#### NVRS

HEN041*2(X)	H.264 4-Channel 1080p Embedded Network Video Recorder
HEN081*2(X)	H.264 8-Channel 1080p Embedded Network Video Recorder
HEN161*2(X)	H.264 16-Channel 1080p Embedded Network Video Recorder

## ORDERING

### ACCESSORIES

#### MOUNTS

HQA-BB3	Junction box
HQA-WK2	Wall mount
HQA-PM	Pole mount (requires HQA-WK2)
HB34S2-CM	Corner mount (requires HQA-BB3)

### CAMERAS

H2W2PRV3	Network TDN WDR IR Micro Dome Camera, 1/2.7" CMOS, 2 MP, 2.8 mm Fixed, 10 IR LEDs, PoE, H.264
H2W4PRV3	Network TDN WDR IR Micro Dome Camera, 1/3" CMOS, 4 MP, 2.8 mm Fixed, 10 IR LEDs, PoE, H.264

### For more information

[www.honeywell.com/security/uk](http://www.honeywell.com/security/uk)

### Honeywell Security and Fire

Aston Fields Road  
Whitehouse Industrial Estate  
Runcorn  
Cheshire  
WA7 3DL  
UK  
Tel: 08448 000 235  
Fax: +44 (0)1928 754 050  
[www.honeywell.com](http://www.honeywell.com)

Honeywell reserves the right, without notification, to make changes in product design or specifications.

HSFV-PerfR2-MicroDome-01-UK(0117)DS-E  
January 2017  
© 2016 Honeywell International Inc.

**Honeywell**