

The GS550IRTDN is a high resolution 1000TVL analogue bullet camera with a 5-50mm DC auto iris varifocal lens as well as DNR, Smart-IR, CVBS and motion tracking features.



GS550IRTDN

## Key Features

- 1000TVL
- DC auto iris varifocal 5-50mm lens
- IP66
- WDR (Wide dynamic range)
- True day / night
- DNR (Digital Noise Reduction)
- Smart-IR
- Sens-up
- Defog
- CVBS (Composite video blanking and sync)
- Motion tracking
- Dual voltage

## Accessories

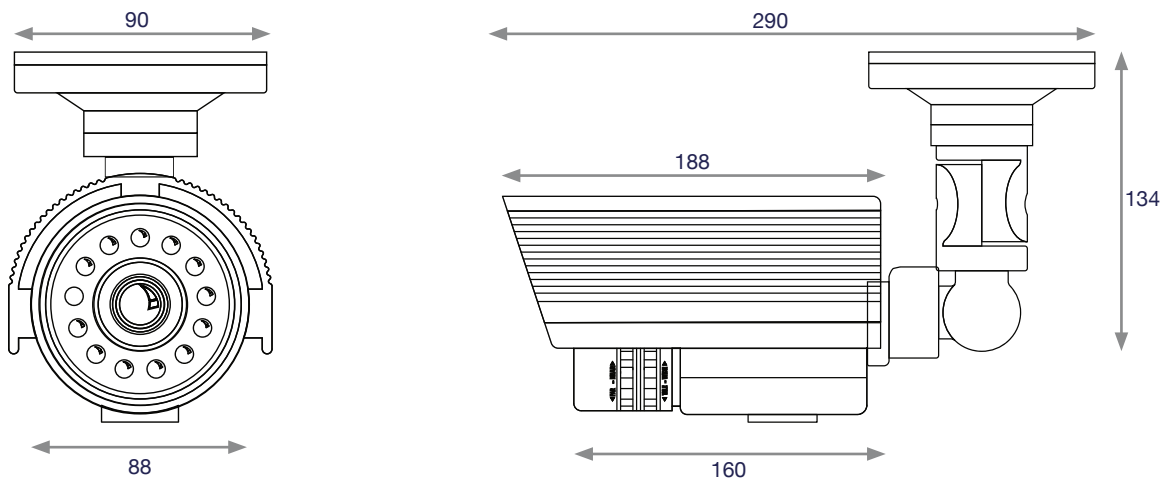


**INTUS/JB**  
Junction Box for INTUS Cameras



**BR/20**  
Camera Housing Pole Mount Adapter Kit

## Dimensions (mm)





## Specification

<b>Model Number</b>	GS550IRTDN
<b>Image Sensor</b>	1/3" 1.3 Mega Sony Exmor Sensor (Imx138)
<b>Resolution</b>	1000TVL
<b>Lens</b>	5-50mm DC Auto Iris Varifocal Lens
<b>Total Pixels</b>	1312 (H) x 1069 (V), 1.40M Pixels
<b>Scanning System</b>	Progressive Scan
<b>S/N Ratio</b>	More than 50dB
<b>Frame Rate</b>	Max. 50P/60P
<b>Video Output</b>	CVBS: 1.0Vp-p/75 Ω
<b>Minimum Illumination</b>	0 Lux (IR LED on)
<b>Electronic Shutter Speed</b>	Auto / Manual (1/60 Sec ~ 1/60000 Sec) / Flicker
<b>OSD</b>	Built in
<b>BLC</b>	0
<b>HSBLC</b>	0
<b>WDR (Wide Dynamic Range)</b>	On (Low / Middle / High) / Off
<b>Digital WDR</b>	On (Low / Middle / High) / Off
<b>Day &amp; Night</b>	Colour / B&W / Auto / Ext
<b>White Balance</b>	Auto / Auto Ext / AWC->Set / Manual
<b>Smart-IR</b>	0~20 (Level Adjustable), Default: 0
<b>Sens-Up</b>	x2 ~ x32, Default: x8
<b>Motion Detection</b>	On / Off (Programmable 4 Zones)
<b>Motion Tracking (Quick Zoom)</b>	On / Off
<b>OSD Output for Anti Shifting</b>	On / Off
<b>OSD Output for Anti Blocking</b>	On / Off
<b>3D DNR</b>	Off / Low / Middle / High
<b>Defog</b>	On (Auto / Manual) / Off
<b>Brightness</b>	0~20 (Level Adjustable), Default: 10
<b>AGC</b>	0~20 (Level Adjustable), Default: 20
<b>Privacy Masking</b>	On / Off (Programmable 16 Zones)
<b>Mirror / V-FLIP</b>	On / Off
<b>Sharpness</b>	0~15 (Level Adjustable), Default: 7
<b>Lens Shading Compensation</b>	On / Off
<b>RS485 (Protocol)</b>	Available
<b>View Angle</b>	Wide 4:3 / Normal / Wide 16:9
<b>CVBS Output</b>	NTSC / PAL Selectable
<b>Communication</b>	Coaxial Control
<b>Power Consumption</b>	IR LED On: 1A Max
<b>Power Supply</b>	DC12V / AC24V
<b>Dimensions</b>	90 x 134 x 290 mm

Genie Access reserves the right to change specifications without notice. Please contact your representative to confirm current specifications.