

# DH-PFB205W

## Wall Mount Bracket



- Aluminum alloy material, cost-effective
- Dedicated for particular cameras, beautiful and elegant designed



Aesthetic Design



Made of Aluminum



Easy Installation

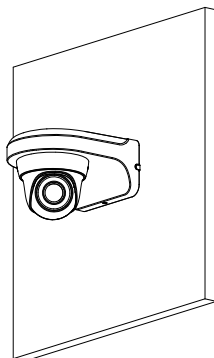
### Technical Specification

Material	Aluminum alloy
Dimensions	161.6 mm × 125.6 mm × 76.0 mm (6.36" × 4.94" × 2.99")
Weight	0.49 kg (1.08 lb)
Load Bearing	2.0 kg (4.4 lb)
Operating Temperature	-40°C to +60°C (-40°F to +140°F)
Operating Humidity	<90% (RH)
Color	White
Applicable Model	Please see "Accessory Selection"

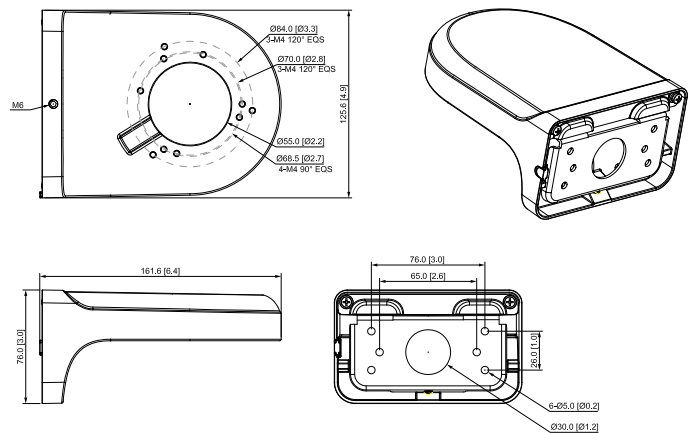
### Ordering Information

Type	Part Number	Description
Camera Mount	DH-PFB205W	Wall Mount Bracket
Camera Mount	PFB205W	Wall Mount Bracket

### Installation



### Dimensions (mm/inch)



### Package Information

- Junction box \*1
- M4×10 screws \*4
- ST4×25 screws \*4
- Plastic expansion bolt \*4
- S3.0 wrench \*1