

The PWIP4EBG are 4MP IP IR eyeball cameras with a 2.8mm lens. The cameras also feature up to 30m IR night view distance as well as being IP67.

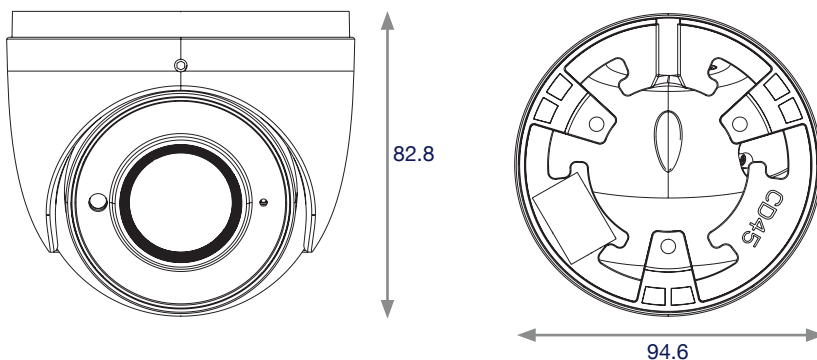


PWIP4EBG

### Key Features

- 4MP (2560 x 1440) H.265 coding
- Maximum resolution: 2560 x 1440
- ICR auto switch, true day / night, ROI coding
- 3D DNR, digital WDR, HLC, BLC, defog
- 20~30m IR night view distance
- DC12V / PoE power supply
- 1CH built-in MIC
- IP67 ingress protection
- Supports three streams
- Supports remote monitoring by smart phones and tablet PC's with iOS and Android OS
- Intelligent analytics : Object removal detection, abnormal video signal detection, line crossing detection and region intrusion detection

### Dimensions (mm)



## Specification

Model Number	PWIP4EBG
<b>Camera</b>	
Image Sensor	1 / 2.7 "CMOS
Image Size	2560 x 1440
Electronic Shutter	1 / 25 s ~ 1 / 100000 s
Iris Type	Fixed Iris
Minimum Illumination	0.011 Lux @ F1.2, AGC ON; 0 Lux with IR 0.04 Lux @ F2.26, AGC ON; 0 Lux with IR
Lens	2.8 mm @ F2.0, Horizontal field of view: 110°
Lens Mount	M12
Wide Dynamic Range	Digital WDR
BLC	Yes
HLC	Yes
Defog	Yes
Digital NR	3D DNR
Angle Adjustment	Pan: 0°~360°, Tilt: 0°~75°, Rotation: 0°~360°
<b>Image</b>	
Video Compression	H.265 / H.264
H.265 Compression Standard	Main Profile @ Level 4.1 High Tier
Resolution	4MP (2560 x 1440), 3MP (2304 x 1296), 1080P (1920 x 1080), 720P (1280 x 720), D1, CIF, 480 x 240
Main Stream	60Hz : 4MP / 3MP / 1080P (1~30fps) 50Hz : 4MP / 3MP / 1080P (1~25fps)
Sub Stream	60Hz : 720P (1~15fps) / D1 (1~30fps / CIF (1~30fps), 50Hz: 720P (1~12fps) / D1 (1~25fps) / CIF (1~25fps)
Third Stream	60Hz : D1 / CIF / 480 x 240 (1~30fps) 50Hz: D1 / CIF / 480 x 240 (1~25fps)
Bit Rate	64 Kbps ~ 5 Mbps
Bit Rate Type	VBR / CBR
Image Settings	ROI, Saturation, Brightness, Chroma, Contrast, Wide Dynamic, Sharpen, NR,etc. Adjustable through client software or web browser
ROI	Each ROI to be configured separately
<b>Interface</b>	
Network	RJ45
Video Output	No
Audio	Built-in MIC x1
Storage	No
Hardware Reset	No
<b>Functions</b>	
Remote Monitoring	Web browsing,CMS remote control
Online Connection	Supports simultaneous monitoring for up to 4 users. Supports multi-stream real time transmission

Network Protocol	UDP, IPv4, IPv6, DHCP, NTP, RTSP, PPPoE, DDNS, SMTP, FTP, 802.1x, UPnP, HTTP, HTTPS, QoS
Interface Protocol	ONVIF, GB-T/28181-2011
Storage	Network remote storage
Smart Alarm	Motion detection
Intelligent Analytics	Region intrusion detection, object removal detection, abnormal video detection and line crossing detection
General Function	Watermark, IP address filtering, video mask, heartbeat, password protection
PoE	Yes
IR Distance	20 ~ 30 m
<b>Others</b>	
IP Rating	IP67
Power Supply	DC12V / PoE
Power Consumption	< 5.5W
Operating Environment	- 30 °C ~ 60°C (-22°F~140°F) Humidity: Less than 95% (Non-condensing)
Dimensions	94.6 x 82.8 mm
Weight	Approximately 0.45Kg

Bioaccess Sales Ltd. reserves the right to change specifications without notice.  
Please contact your representative to confirm current specifications.

## Accessories



### WIPJSJBG

Small Sized Junction Box for Bullet  
and Eyeball Cameras - Grey

### WJBSBWPG

Waterproof Junction Box for Medium  
Varifocal Bullets - Grey

### WBEBVG

Wall Bracket for Dome Cameras - Grey