



WIP3PTZ20IR57A

WISH IP H.265 3MP 20x IR PTZ Speed Dome

The WIP3PTZ20IR57A is a 20x IP Optical Zoom, H.265/H.264 IR PTZ Speed Dome. The camera has Starlight technology enabling it to see up to 100m IR illumination during lowlight. The camera has 7 Alarm inputs, a CVBS output, a Micro SD Card Slot and is part of our popular WISH IP range of products.

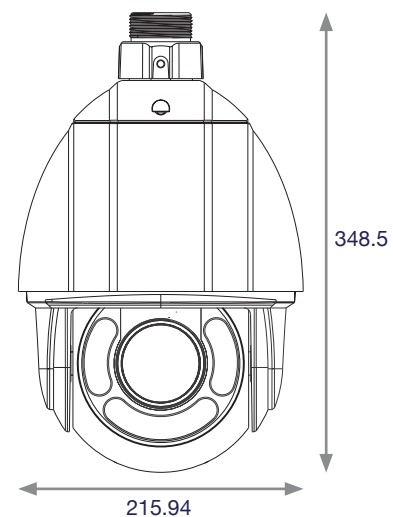


WIP3PTZ20IR57A

Key Features

- 1/2.8" Progressive CMOS Starlight 20x Optical Zoom
- Auto Iris, Auto Focus, Auto White Balance, BLC and 3D DNR
- HD Network and CVBS Video Output
- H.264 and H.265 Image Compression Format
- TCP / IP, UDP, DHCP, DDNS, NTP, RTSP, SMTP, FTP, PPPoE, IPv4 / IPv6
- Micro SD Card Local Storage, Network Remote Storage
- Web GUI Menu for Engineer Setup
- Efficient IR Array and Laser Illumination, Low Power Consumption and up to 100m IR Night View Distance
- IR LED's and matching Algorithm for ideal conditions by adjusting the Brightness and Angle of the IR LED's based on the Zoom Ratio and Distance
- Built-In Heat Treatment device to lower the inside temperature to avoid fogging of the Camera
- Using 3D Intelligent Position Function through the DVR, Client Software and IE to realise tracking and amplification
- Support RS485 Control and Pelco-P / D Protocol
- Power Off Memory (Remembers Position)
- IP66 IP Rating
- 1 Channel Audio Input and 1 Channel Audio Output
- Precision Motor Driving, Sensitive and Responsive, Smoothly Running, Less than 0.1° precision error and no image floating at any speed
- Support Home Position Function
- PSU and Wall Bracket included

Dimensions (mm)



Accessories



MPSWAN
Multi Platform
Swan Neck
Bracket



WIPMPCM
Multi Purpose
Corner Mount
Bracket



WIPMPPM
Multi Purpose
Pole Mount
Bracket



Specification

Model Number	WIP3PTZ20IR57A
Image Sensor	1/2.8" Starlight Progressive Scan CMOS
Effective Pixels	3MP
White Balance	Auto / Manual
AGC	Auto / Manual
3D DNR	Yes
Lens Focal Length	5.5 - 110 mm
Pan Range	360° Endless Rotation
Pan Speed	Manual Control Speed: 0.1° - 120°/s, Preset Speed: 240°/s
Tilt Range	0-93°
Tilt Speed	Manual Control Speed: 0.1° - 90°/s, Preset Speed: 200°/s
Zoom	Yes
Preset	360 Presets
Cruise	8 Cruises, 16 Presets for each Cruise
Scan	2 Scans
Track	4 Tracks, 3 Minutes Recording for each Track
Time Task	Yes
Home Position	Yes
Power Off Memory	Yes
IR Distance	100m
IR Control	Brightness and Angle of the IR LED's to be smartly according to the scenes adjusted
Max Image Size	2048 x 1536
Resolution	3MP (2048 x 1536), 2MP (1920 x 1080), 1.3MP (1280 x 960), VGA (640 x 480)
Video Compression	H.265 / H.264 / MJPEG
Video Compression Protocol	G.711A / G.711U
Network Protocol	TCP / IP, UDP, DHCP, DDNS, NTP, RTSP, SMTP, FTP, PPPoE, IPv4 / IPv6
Alarm Input	7 CH (DC5-12V)
Alarm Output	1 CH, Support Alarm Trigger (Preset, Snap, FTP Upload and Email Trigger)
Network Interface	Built-in RJ45 Network Port, Support 10M / 100M Network Data
SD Card Interface	Built-in Micro SD Card Slot, Support Manual Recording
CVBS Output	1.0V [p-p] / 75Ω, PAL or NTSC, BNC
RS485 Control	PelcoD / P Protocol, Custom Protocols Available
API	API, SDK, ONVIF, GB / T28181
Web Client	Web 4.0
OSD Menu	Chinese / English
Power Supply	AC24V 3000 mA (15W, Max 65W)
Working Environment	-30 ~ 60°C, Humidity: Less than 90%
Protection Level	IP66, IK10, TVS6KV Lightning Protection, Surge Protection
Dimensions	348.5 (H) x 215.94 (W) mm
Unit Weight	5.4kg

Genie Access reserves the right to change specifications without notice. Please contact your representative to confirm current specifications.