

The ZD2812IR940 is a high resolution 1000TVL analogue bullet camera with a 2.8-12mm DC auto iris varifocal lens with x43 IR LED's as well as DNR, Smart-IR, CVBS and motion tracking features.

Key Features

- 1000TVL
- WDR (Wide Dynamic Range)
- Preset
- DNR (Digital Noise Reduction)
- Smart-IR
- Sens-up
- Defog
- CVBS (Composite video blanking and sync)
- Motion tracking
- IR LED 940nm (Invisible IR's)



ZD2812IR940

Accessories

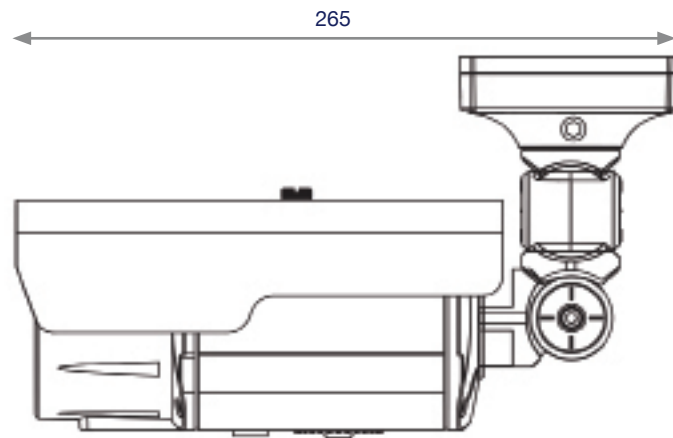
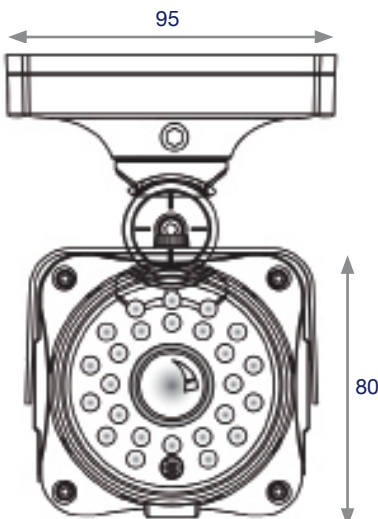


INTUS/JB
Hinged Lid Junction Box for INTUS Cameras



INTUS/MJB
Mounting Junction Box for INTUS Cameras

Dimensions (mm)





Specification

Model Number	ZD2812IR940
Image Sensor	1/3" 1.3 Mega Sony Exmor Sensor (Imx138)
Resolution	1000TVL
Effective Pixels	1305 (H) x 1049 (V), 1.37M Pixels
Total Pixels	1312 (H) x 1069 (V), 1.40M Pixels
Scanning System	Progressive Scan
S/N Ratio	More than 50dB
Frame Rate	Max. 50P/60P
Video Output	CVBS : 1.0Vp-p/75 Ω
Minimum Illumination	0 Lux (IR LED On) / 940nm
Lens	DC Auto Iris Varifocal Lens (2.8-12 mm)
Electronic Shutter Speed	Auto / Manual (1/60 Sec ~ 1/60000 Sec) / Flicker
OSD	Built-In
BLC	0
HSBLC	0
WDR (Wide Dynamic Range)	On (Low / Middle / High) / Off
Digital WDR	On (Low / Middle / High) / Off
Day & Night	Colour / B&W / Auto / Ext
White Balance	Auto / Auto Ext / AWC->Set / Manual
Smart-IR	0~20 (Level Adjustable), Default: 0
Sens-Up	x2 ~ x32, Default : x8
Motion Detection	On / Off (Programmable 4 Zones)
Motion Tracking (Quick Zoom)	On / Off
OSD Output for Anti Shifting	On / Off
OSD Output for Anti Blocking	On / Off
3D DNR	Off / Low / Middle / High
Defog	On (Auto / Manual) / Off
Brightness	0~20 (Level Adjustable), Default: 10
AGC	0~20 (Level Adjustable), Default: 20
Privacy Masking	On / Off (Programmable 16 Zones)
Mirror / V-FLIP	On / Off
Sharpness	0~15 (Level Adjustable), Default: 7
Lens Shading Compensation (LSC)	On / Off
RS-485 (Protocol)	Available
View Angle	Wide 4:3 / Normal / Wide 16:9
CVBS Output	NTSC / PAL Selectable
Communication	Coaxial Control
Power Consumption	IR LED On: 700mA Max
Power Supply	Dual Voltage
Dimensions	95 x 80 x 265 mm
Weight	1500g

Genie Access reserves the right to change specifications without notice. Please contact your representative to confirm current specifications.