



5MP Starlight Fixed Lens IR Turret

VN IPFLT5-W
VN IPFLT5-B

Key Features

Optics

- Starlight illumination
- Day/night functionality
- Up to 120dB WDR (Wide Dynamic Range)
- Smart IR, up to 30m (98ft) IR distance

30M IR
SMART IR



Compression

- Ultra 265, H.264, MJPEG
- Triple streams
- 9:16 corridor format

Structure

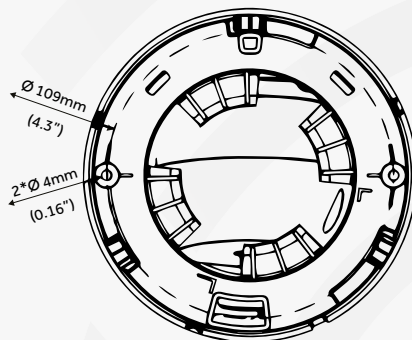
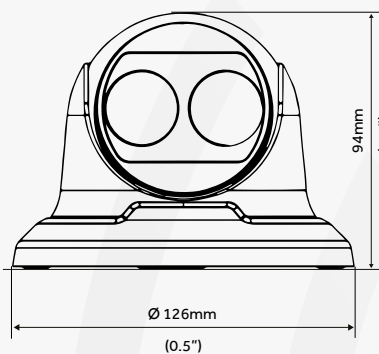
- Wide temperature range: -30°C ~ 60°C (-22°F ~ 140°F)
- Wide voltage range of $\pm 25\%$
- 4KV surge protection designed for network interface
- IP67
- 3-Axis

Network

- ONVIF Conformance



Dimensions



Brackets



Pole Mount Bracket
Code: [UTR-UP06-IN](#)
Requires [UTR-WM03-B-IN](#)



Junction Box
Code: [UTR-JB03-H-IN](#)



Junction Box
Code: [UTR-WM03-B-IN](#)

| Camera | VN IPFLT5-W/B | | | | |
|-------------------------|--------------------------------------------------------------------------------------------------------------------------------|-----------|----------------|--------------|-------------------|
| Sensor | 1/2.7", 5.0 megapixel, progressive scan, CMOS | | | | |
| Lens | 2.8mm@F1.6 | | | | |
| DORI Distance | Lens(mm) | Detect(m) | Observe(m) | Recognize(m) | Identify(m) |
| | 2.8 | 63 | 25.2 | 12.6 | 6.3 |
| Angle of View (H) | 105.3° | | | | |
| Angle of View (V) | 69.5° | | | | |
| Angle of View (O) | 136.8° | | | | |
| Adjustment angle | Pan: 0° ~ 360° | | Tilt: 0° ~ 90° | | Rotate: 0° ~ 360° |
| Shutter | Auto/Manual, 1 1/100000 s | | | | |
| Minimum Illumination | Colour: 0.005Lux (F1.6, AGC ON) 0 Lux with IR | | | | |
| Day/Night | IR-cut filter with auto switch (ICR) | | | | |
| Digital noise reduction | 2D/3D DNR | | | | |
| S/N | >52dB | | | | |
| IR Range | Up to 30m (98 ft) IR range | | | | |
| Defog | Digital Defog | | | | |
| WDR | 120dB | | | | |
| Video | | | | | |
| Video Compression | Ultra 265, H.264, MJPEG | | | | |
| H.264 code profile | Baseline profile, Main Profile, High Profile | | | | |
| Frame Rate | Main Stream: 5MP (2592*1944), Max 20fps; 4MP (2560*1440), Max 30fps; | | | | |
| | 3MP (2048*1536), Max 30fps; 2MP (1920*1080), Max 30fps; | | | | |
| | Sub Stream: 2MP (1920*1080), Max 30fps; | | | | |
| | Third Stream: D1 (720*576), Max 30fps | | | | |
| 9:16 Corridor Mode | Yes | | | | |
| HLC | Yes | | | | |
| BLC | Yes | | | | |
| OSD | Up to 8 OSDs | | | | |
| Privacy Mask | Up to 8 areas | | | | |
| ROI | Up to 8 areas | | | | |
| Motion Detection | Up to 4 areas | | | | |
| Audio | | | | | |
| Audio Compression | G.711 | | | | |
| Suppression | Yes | | | | |
| Sampling Rate | 8KHZ | | | | |
| Network | | | | | |
| Protocols | IPv4, IGMP, ICMP, ARP, TCP, UDP, DHCP, PPPoE, RTP, RTSP, RTCP, DNS, DDNS, NTP, FTP, UPnP, HTTP, HTTPS, SMTP, 802.1x, SNMP, QoS | | | | |
| Compatible Integration | ONVIF (Profile S, Profile T), API | | | | |
| Interface | | | | | |
| Network | 1 RJ45 10M/100M Base-TX Ethernet | | | | |
| Built-in Mic | Yes | | | | |
| General | | | | | |
| Power | DC 12V±25%, PoE (IEEE 802.3af) | | | | |
| | Power consumption: Max 5W | | | | |
| Dimensions (Ø x H) | Ø126 x 94mm (Ø5.0" x 3.7") | | | | |
| Weight | 0.45kg (0.99lb) | | | | |
| Working Environment | -30°C~ 60°C (-22°F ~ 140°F), Humidity: 95% RH (non-condensing) | | | | |
| Ingress Protection | IP67 | | | | |