

DH-HAC-HFW2231E

2MP Starlight HDCVI IR Bullet Camera

HDCVI



- Starlight, 120dB true WDR, 3DNR
- Max 30fps@1080P
- HD and SD output switchable
- 3.6mm fixed lens (6mm optional)
- Max. IR length 40m, Smart IR
- IP67, DC12V



System Overview

Experience full HD 1080P video with the simplicity of using existing coaxial infrastructure. The starlight HDCVI camera presents high quality image with rich details even under extreme lowlight environment and supports 120dB true WDR. It offers various motorized/fixed lens models with multi-language OSD and HD/SD switchable output. The outstanding performance and true WDR feature make the camera an ideal choice for mid to large-size business and common projects where both highly reliable surveillance and construction flexibility are concerned.

Functions

4 Signals over 1 Coaxial Cable

HDCVI technology supports 4 signals to be transmitted over 1 coaxial cable simultaneously, i.e. video, audio*, data and power. Dual-way data transmission allows the HDCVI camera to interact with the HCVR, such as sending control signal or triggering alarm. Moreover, HDCVI technology supports PoC for construction flexibility.

* Audio input is available for some models of HDCVI cameras.

Long Distance Transmission

HDCVI technology guarantees long-distance and real-time transmission without any loss. It supports up to 800m for 1080P Full HD video via coaxial cable, and up to 300m via UTP cable.*

*Actual results verified by real-scene testing in Dahua's test laboratory.

Simplicity

HDCVI technology inherits the born feature of simplicity from traditional analog surveillance system, making itself a best choice for investment protection. HDCVI system can seamlessly upgrade the traditional analog system without replacing existing coaxial cabling. The plug and play approach enables full HD video surveillance without the hassle of configuring a network.

Starlight

With the adoption of high performance sensor, the camera is able to provide incomparable performance even under extreme lowlight environment. The starlight feature allows more details to be captured and accurate color to be recognized at night or in scenes with limited illumination.

Wide Dynamic Range

Embedded with industry leading wide dynamic range (WDR) technology, vivid pictures are achieved even in the most intense contrast lighting conditions. True WDR (120dB) optimizes both the bright and dark areas of a scene at the same time to provide usable video.

Advanced 3DNR

3DNR is noise reduction technology that detects and eliminates random noises by comparing two sequential frames. Dahua's advanced 3DNR technology allows remarkable noise reduction with little impact to sharpness, especially under limited lighting condition. Besides, the advanced 3DNR effectively decreases the band width and saves the storage space.

Multi-formats

The camera supports multiple video formats including HDCVI, CVBS and other two common HD analog formats in the market. The four formats can be switched over through OSD menu or by PFM820 (UTC controller). This feature makes the camera to be compatible with not only HCVRs but also most end users' existing HD/SD DVRs.

Smart IR

The camera is designed with array LED IR illumination for best lowlight performance. Smart IR is a technology to ensure brightness uniformity in B/W image under low illumination. Dahua's unique Smart IR adjusts to the intensity of camera's infrared LEDs to compensate for the distance of an object, and prevents IR LEDs from overexposing images as the object come closer to the camera.

Large Aperture Lens

The camera adopts high-end F1.6 large aperture lens. With higher amount of absorbed light, the camera presents an impressive lowlight performance.

Protection

The camera's outstanding reliability is unsurpassed due to its rugged design. The camera is protected against water and dust with IP67 ranking, making it suitable for indoor or outdoor environments.

With working temperature range of -40 °C to +60 °C (-40 °F to +140 °F), the camera is designed for extreme temperature environments.

Supporting $\pm 25\%$ input voltage tolerance, this camera suits even the most unstable power supply conditions. Its 4KV lightning rating provides protection against the camera and its structure from the effects of lightning.

Technical Specification

Camera

Image Sensor	1/2.8" CMOS
Effective Pixels	1937(H)×1097(V), 2.1MP
Scanning System	Progressive
Electronic Shutter Speed	PAL: 1/4s~1/100000s NTSC: 1/3s~1/100000s
Minimum Illumination	0.005Lux/F1.6, 30IRE, 0Lux IR on
S/N Ratio	More than 65dB
IR Distance	Up to 40m (131feet)
IR On/Off Control	Auto / Manual
IR LEDs	2

Lens

Lens Type	Fixed lens / Fixed iris
Mount Type	Board-in
Focal Length	3.6mm (6mm Optional)
Max Aperture	F1.6
Angle of View	H:87° (53°)
Focus Control	N/A
Close Focus Distance	1200mm (1800mm) 47.24" (70.87")

DORI Distance

*Note: The DORI distance is a "general proximity" of distance which makes it easy to pinpoint the right camera for your needs. The DORI distance is calculated based on sensor specification and lab test result according to EN 62676-4 which defines the criteria for Detect, Observe, Recognize and Identify respectively.

	DORI Definition	Distance
Detect	25px/m (8px/ft)	3.6mm: 55m(180ft) 6mm: 81m(266ft)
Observe	63px/m (19px/ft)	3.6mm: 22m(72ft) 6mm: 32m(105ft)
Recognize	125px/m (38px/ft)	3.6mm: 11m(36ft) 6mm: 16m(52ft)
Identify	250ppm (76px/ft)	3.6mm: 6m(20ft) 6mm: 8m(26ft)

Pan / Tilt / Rotation

Pan/Tilt/Rotation	Pan: 0° ~ 360° Tilt: 0° ~ 90° Rotation: 0° ~ 360°
-------------------	---

Video

Resolution	1080P (1920×1080)
Frame Rate	25/30fps@1080P, 25/30fps@720P
Video Output	1-channel BNC high definition video output / CVBS video output (Can switch)

Day/Night	Auto (ICR) / Manual
OSD Menu	Multi-language
BLC Mode	BLC / HLC / WDR
WDR	120dB
Gain Control	AGC
Noise Reduction	2D / 3D
White Balance	Auto / Manual
Smart IR	Auto / Manual

Certifications

Certifications	CE (EN55032, EN55024, EN50130-4) FCC (CFR 47 FCC Part 15 subpartB, ANSI C63.4-2014) UL (UL60950-1+CAN/CSA C22.2 No.60950-1)
----------------	---

Interface

Audio Interface	N/A
-----------------	-----

Eeectrical

Power Supply	12V DC ±25%
Power Consumption	Max 4.7W (12V DC, IR on)

Environmental

Operating Conditions	-40°C ~ +60°C (-40°F ~ +140°F) / Less than 90% RH * Start up should be done at above -40°C (-40°F)
Storage Conditions	-40°C ~ +60°C (-40°F ~ +140°F) / Less than 90% RH
Ingress Protection & Vandal Resistance	IP67

Construction

Casing	Aluminium
Dimensions	180mm×70mm×70mm (7.09"×2.76"×2.76")
Net Weight	0.41kg (0.90lb)
Gross Weight	0.51kg (1.12lb)

Ordering Information

Type	Part Number	Description
2MP Camera	DH-HAC-HFW2231EP 3.6mm	2MP Starlight HDCVI IR Bullet Camera, PAL
	DH-HAC-HFW2231EP 6mm	
	DH-HAC-HFW2231EN 3.6mm	2MP Starlight HDCVI IR Bullet Camera, NTSC
	DH-HAC-HFW2231EN 6mm	
Accessories	PFA121	Junction box (For use alone or with PFA152 pole mount)
	PFA152	Pole mount (For use with PFA121 junction box)
	PFM820	UTC Controller
	PFM800	Passive HDCVI Balun
	PFM801	Passive HDCVI Balun with Power
	PFM809-4CH	4 Channel Passive HDCVI Balun
	PFM809	16 Channel Passive HDCVI Balun
	PFM810	POC Transceiver

Accessories

Optional:



PFA121
Junction box



PFA152
Pole mount



PFM820
UTC Controller



PFM801
Passive HDCVI Balun with Power



PFM809-4CH
4 Channel Passive HDCVI Balun



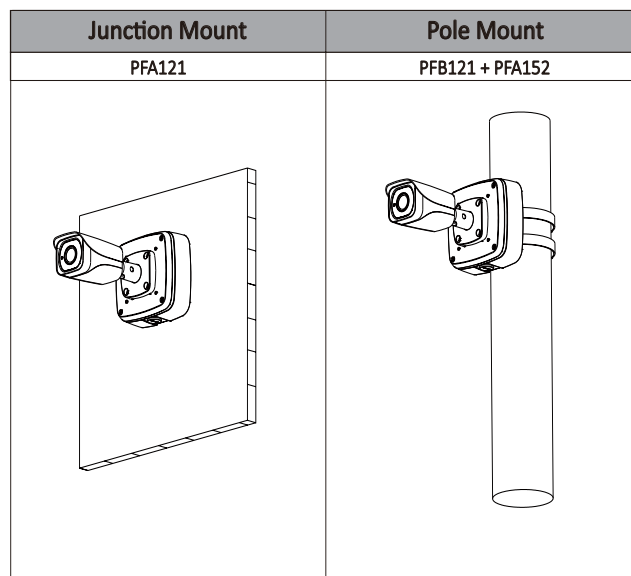
PFM809
16 Channel Passive HDCVI Balun



PFM800
Passive HDCVI Balun



PFM810
POC Transceiver



Dimensions (mm/inch)

