

T10Z0513CS

VARI FOCAL 10X 5~50mm F1.3
for 1/3" format cameras
CS-Mount

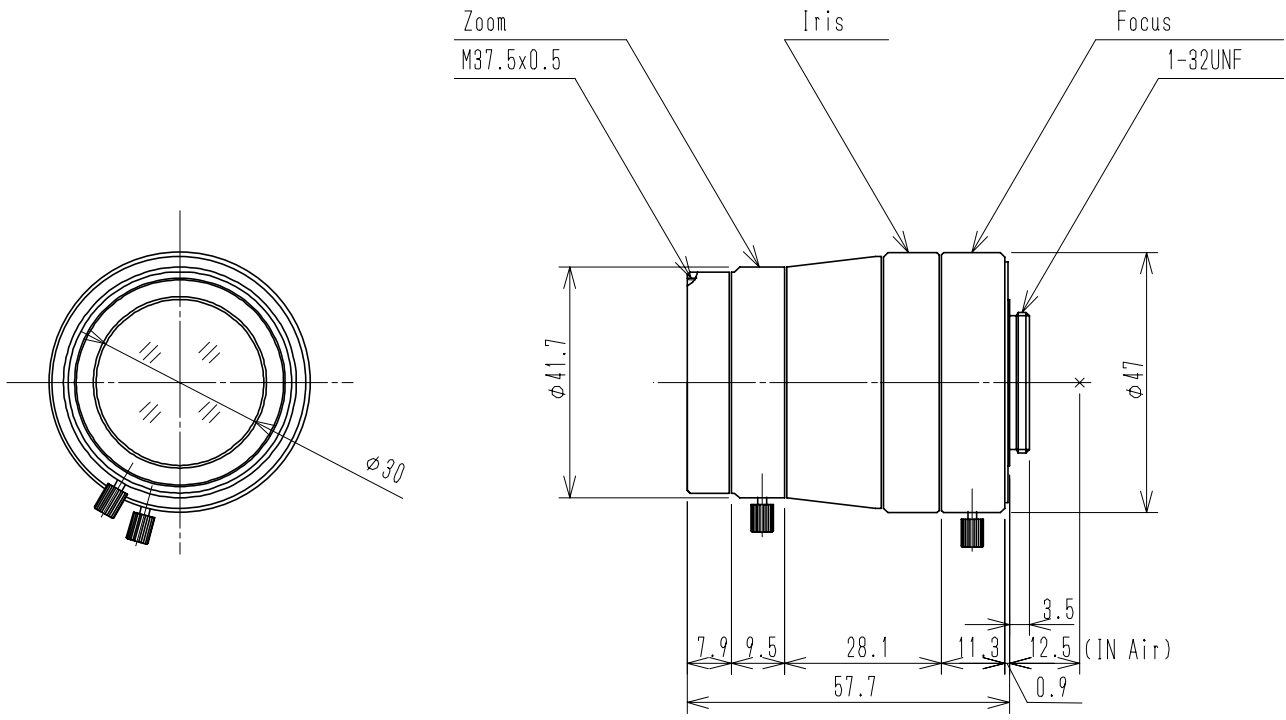
Model No.		T10Z0513CS	Effective	Front	φ 29.5mm
Focal Length		5 ~ 50 mm	Lens Aperture	Rear	φ 8.7mm
Max. Aperture Ratio		1 : 1.3		Back Focal Length	Tele
Max. Image Format		4.8 x 3.6mm (φ 6mm)	Flange Back Length		Wide
Operation Range	Iris	F1.3 ~ C		Mount	
	Focus	0.8m ~ Inf.	Filter Size		M37.5 P=0.5mm
	Zoom	5 ~ 50 mm	Dimensions		φ 47 x 57.7mm
Control	Iris	Manual	Weight		150g
	Focus	Manual			
	Zoom	Manual			
Object Dimension at M.O.D.	5 mm	77.7 x 57cm			
	50 mm	7.8 x 6.0cm			
Angle of View	D	64~6.9°	1/4"	48.8~5.3°	
	H	51.8~5.6°		39.2~4.3°	
	V	39.2~4.3°		29.5~3.2°	
Operating Temperature		-20 ~ +50 °C			

1/3

CS

M.O.D. : Minimum Object Distance

Dimensions



Z

SP