



Passive Infrared Detector

INSTALLATION INSTRUCTIONS



THANK YOU FOR VOTING TEXECOM

Ask your distributor today for the new Texecom full colour Product Guide.

Texecom
www.texe.com

QUALITY ASSURANCE



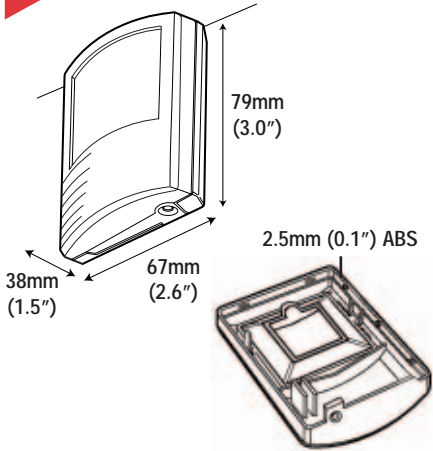
WARRANTY

5 year replacement warranty.

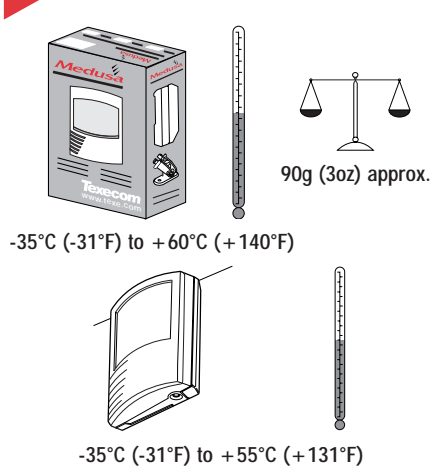
The *Medusa* is designed to detect the movement of an intruder and activate an alarm control panel. As the *Medusa* is not a complete alarm system, but only a part thereof, Texecom cannot accept responsibility or liability for any damages whatsoever based on a claim that the *Medusa* failed to function correctly.

Due to our policy of continuous improvement Texecom reserves the right to change specification without prior notice. All specifications are measured at 20°C (68°F).

1 PHYSICAL



2 ENVIRONMENTAL



3 FALSE ALARM PROTECTION

Design: Noise reduction circuits with maximum ground plane.

RF Immunity: No false alarms from 80MHz to 1GHz at 50V/m, equivalent to a 700W uniform transmitter at 3m (10ft). Complies with BS EN 61000-4-3 : 1997.

Electrostatic Discharge: No false alarm up to 8kV. Complies with BS EN 61000-4-2 : 1995.

Fast Transient Immunity: No false alarms up to ±1kV. Complies with BS EN 61000-4-4 : 1995.

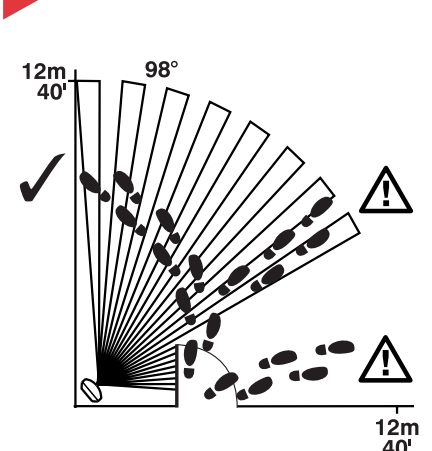
High Energy Transient Immunity: No false alarm up to ±1kV. Complies with BS EN 61000-4-5 : 1995.

Conducted RF Susceptibility: No false alarms at 10Vrms. Complies with BS EN 61000-4-6 : 1996.

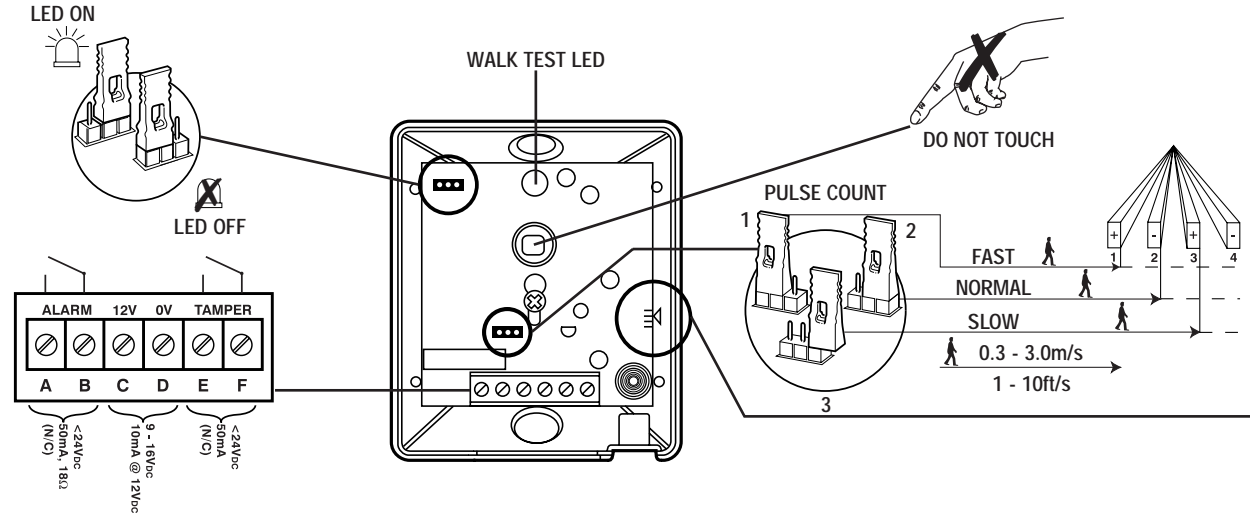
EMC: Independently certified to EN 50130-4 : 1996.

Pulse Count: Adjustable Pulse Count. Internal link to select.

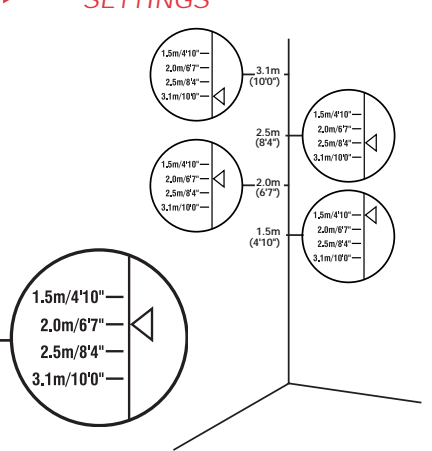
4 COVERAGE AND PICK-UP



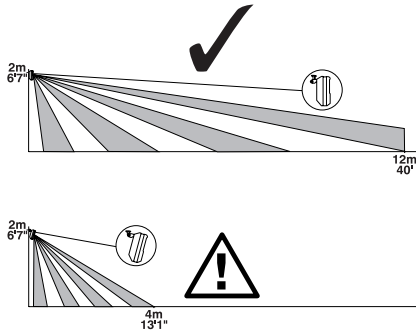
5



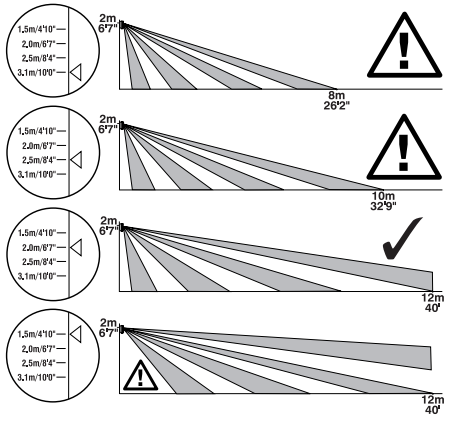
6 MOUNTING HEIGHT AND SETTINGS



7 ANGLING THE DETECTOR

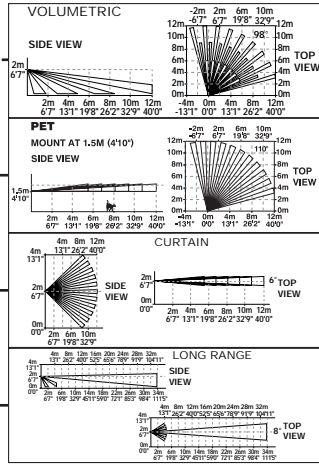
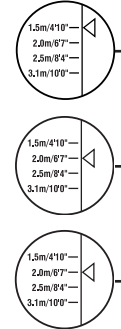


8 COVERAGE AT 2m

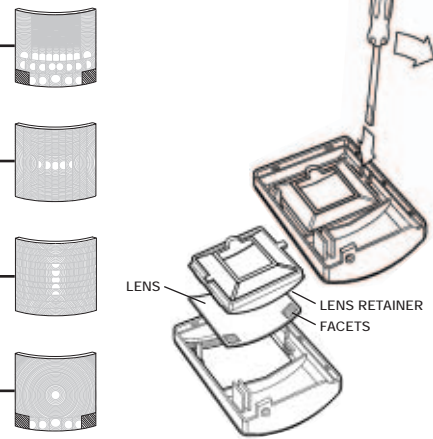


9 LENS SELECTION

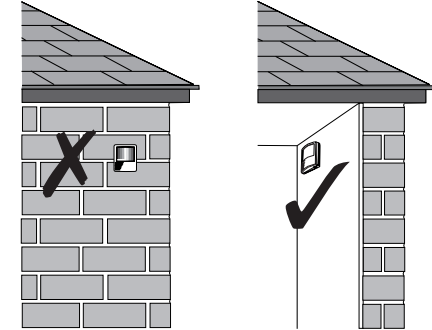
See Mounting Height Diagram (Section 6)



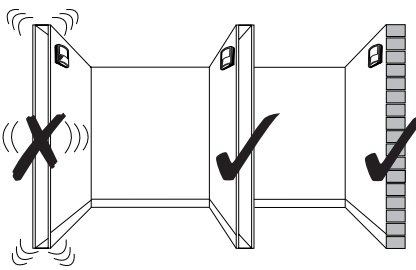
10 CHANGING LENSES



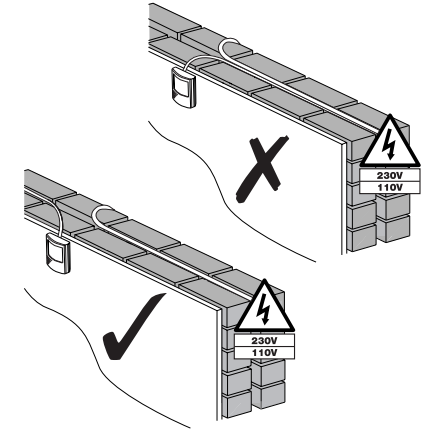
11 MOUNTING THE MEDUSA For indoor use only



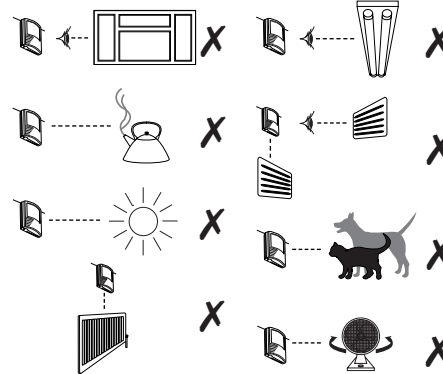
12 MOUNTING THE MEDUSA Mount on a stable surface



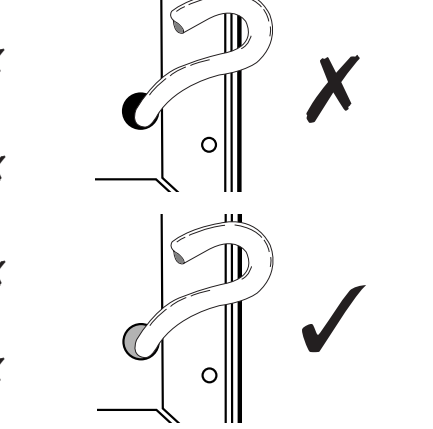
13 WIRING Do not run cable parallel to mains wiring



14 CHOOSING A LOCATION Avoid common false alarm sources



15 SEAL ALL HOLES



16 MOUNTING WITHOUT BRACKETS

