

Datasheet

DW-4SAFE - Infrared Safety Sensor for Swing Doors

Product Description

The DW-4SAFE sensor is an addition to CDVI's range of sturdy sensors providing automatic opening of doors, and the protection of users when the doors are in the operating cycle.

This infrared door sensor is installed directly to the door and protects users whilst the door is in motion, allowing compliance with the EN16005 standard.

The 4SAFE features an intuitive configuration process with time tested infrared feedback that enables the device to detect users who interrupt the doors movement, creating a safe and efficient automatic entrance.



Key Features

- Infrared door safety detection sensor for swing doors
- 4 infrared detection spots
- Adjustable angle
- Strong and robust ABS construction
- Suitable for internal & external use (weathershield available)
- Ideal for DIGIWAY door operators

 Certification

 DEEE

 Certification

 IP54

 -25°C to 55°C

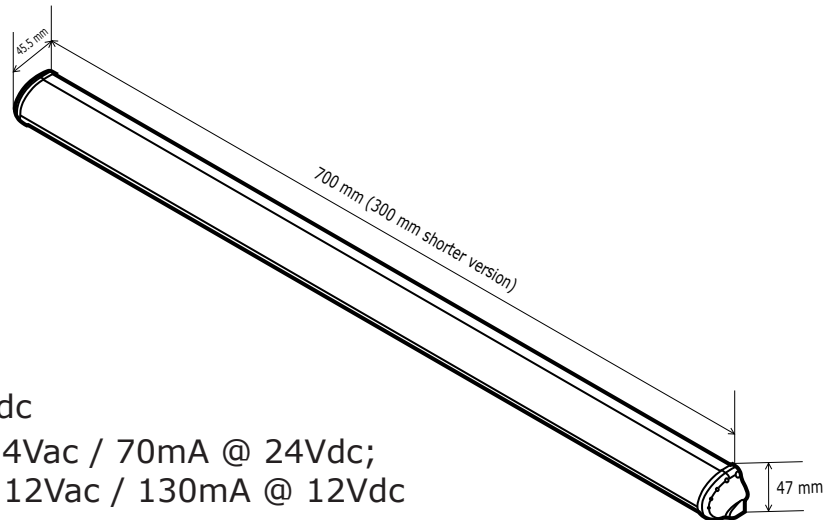
All the information contained within this document (pictures, drawings, features, dimensions, specifications), could be perceptibly different and can be changed without prior notice. Published: 26 October 2021. CDVI_DW-4SAFE_01_EN_A4_C

Product Specifications

- Material:** ABS, aluminium
Mounting: On door leaf: 1.3m to 3.5m height
Emission range: 400mm (W) x 700mm (D) at 2m mounting height
Technology: Active infrared with background suppression
Accessories: Rain cover (DW-4SAFE-RA)

Output

- Relays:** 2 x NO/COM/NC
Max voltage: 42 Vac/dc
Max current: 1A



Electrical Specifications

- Power input:** 12-24Vac; 12-30Vdc
Consumption: Master: 95mA @ 24Vac / 70mA @ 24Vdc;
 170mA @ 12Vac / 130mA @ 12Vdc
 Slave: 85mA @ 24Vac / 60mA @ 24Vdc
 180mA 12Vac / 113mA @ 12Vdc

Range references

- DW-4SAFE-S Infrared door safety sensor, 350mm
 DW-4SAFE-L Infrared door safety sensor, 700mm
 DW-4SAFE-RA Weathershield for DW-4SAFE