

Datasheet

A10U48 - Long Range UHF Reader Antenna

Product Description

This long range UHF (865-868MHz) system is ideal for the identification of people and vehicles at a distance of up to 10 metres. It operates with UHF credentials with proprietary security encryption.

The A10U48 offers two operating modes: standalone or Wiegand. In standalone mode, outbound connections are via two output relays. The Wiegand mode facilitates smooth integration with access control solutions.

U4GO makes it easy to control secure access to parking facilities, gated communities and campuses. The reader is backed by an interface that can manage up to 7,560 tags and thanks to its own built-in receiver, up to 100 transmitters.

U4GO



Key Features

- Gate access automation system
- Can be fixed on wall or pole
- Relay or Wiegand outputs
- Up to 10m detection range
- Detects vehicles up to 80 km/h
- Proprietary UHF detection
- Supplied with power supply, pole fixing bracket, and built-in AES128 receiver

 Certification

 DEEE

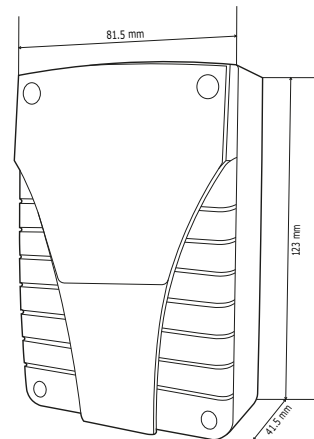
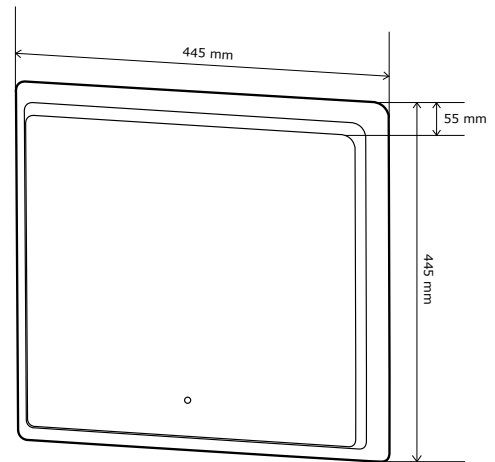
RoHS Certification

 IP55

 -25°C to 80°C

Product Specifications

Technology:	UHF, Wiegand 26, 30 & 44 bits
Read range:	10m (long range)
User Limit:	
• Standalone:	7,560 tags
• Wiegand:	Dependent on access control system
• Receiver:	100 transmitters
Frequency:	Reader: 865 - 868 MHz Receiver: 433.92 MHz
Modulation:	Reader: FHSS Receiver: GFSK
Security Level:	Transmission at AES128 encryption
Connection:	RS-485 (Receiver)
Outputs:	Relays, Wiegand
Relays:	2 x 24Vac (max 24V)
Contacts:	C, NO
Weight:	2.4 kg



Electrical Specifications

Power supply: 110 - 240 Vac / 50-60 Hz

Accessories



KFMA10U

Wall fixing bracket for A10U48 reader



CTU48, ATU48

Card and sticker credentials for U4GO range



TX128-E2, TX128-E4

2 or 4 channel transmitter with AES128 encryption

Range References

F0103000125	A10U48	U4GO long range reader antenna, 10m, 865 MHz
F0103000127	A6U48	U4GO mid range reader antenna, 6m, 865 MHz