

Datasheet

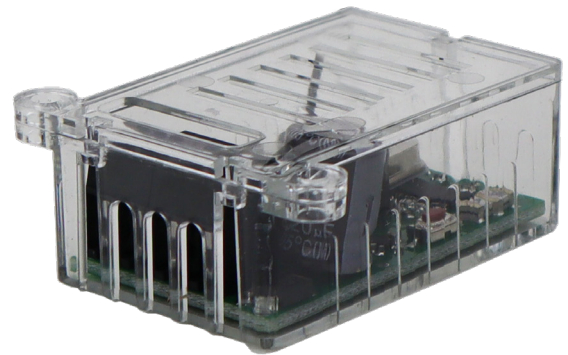
RECEIVERS/ RX128-NANO - 1 relay 128-bit receiver

Product description

The RX128-NANO is a small, economical, high security single channel receiver.

The R128-NANO is designed to operate systems requiring remote radio operation with high security. The RX128-NANO accomplishes this via its high security coding system with 128 bit encryption.

The output relay can be set for PULSE or TIMED mode. The default pulse is 1sec whilst the timed can be set from 1 to 30 seconds.



Key features

- 128-bit encryption NANO receiver
- Only compatible with [TX128-E](#) transmitters
- Momentary and timed operation
- 1 normally open output relay
- Up to 85 push button memory
- Ideal when high security wireless triggering is required



Certification



DEEE



Certification



IP2X



-20°C to 70°C

Product Information

Material: Polycarbonate housing

Frequency: 433.92MHz

Modulation: AM/ASK

Memory: 248 user codes

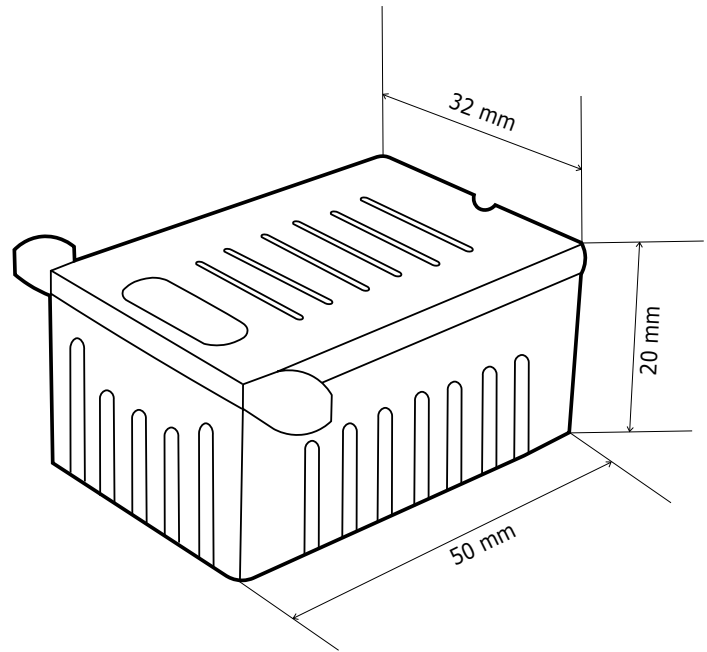
Coding: Rolling Code Keeloq®,
AES128-bit

Relays: 1

Operating modes: pulse/ timed

Release delay: 1-30sec.

Contact: C-NO



Electrical specifications

Power supply: 12 to 24 Vac/dc

Relay contact max power: 24VA

Contact switching current: 0.5A 125VAC/1A 30VDC