

Datasheet

RECEIVERS/ RX26-XPL4P - 4-Relay Receiver

Product description

The RX26-XPL4P allows the easy operation and programming of the RX26-XPL whilst increasing the memory to 500 transmitters. The internal data can be saved and restored to/from an external memory (MEM-XPL).

Each relay can be separately configured for pulse, timed or latch modes, with a maximum contact rating of 24VA at 60V. Security is upheld by the use of Keeloq rolling code decryption.

The RX26-XPL4 also comes in 230 Vac version (RX26-XPL4V). An input is available for the [SEA433](#) tuned aerial.



Key features


- 4 relays
- Up to 500 transmitter memory capacity
- White housing, black lid
- Keeloq® Hopping Code

 *Certification*

 *DEEE*

 *Certification*

 *IP55*

 *-20°C to 70°C*

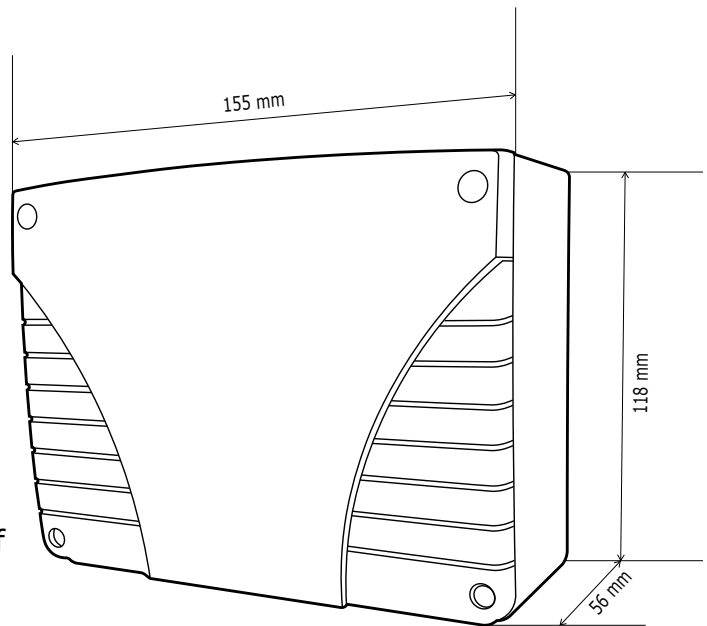
All the information contained within this document (pictures, drawing, features, dimensions, specifications), could be perceptibly different and can be changed without prior notice. - March 2020 - CDVI_RX26-XPL4P_DS_02_EN_A4_C

Product Information

Receiver type: Superheterodyne
Material: Polycarbonate housing
Frequency: 433.92MHz
Modulation: AM/ASK
Encoding: Keeloq® Hopping code
Number of code combinations: 2exp64
Memory capacity: 500 transmitters

Relays

Number of relays: 4
Contacts: 4 x NO/NC
Operating mode: Pulse, step, timed, on-off
Delay: 1sec. to 23h59min



Electrical specifications

Power supply: 12/24 Vac/dc
Max power on relay output: 16 A
Consumption: 180mA @ 12 Vdc, 140mA @ 24 Vdc