

# Clarius®

## Clarius® PLUS Small

The **Clarius® Plus** range of high performance Infra-Red LED illuminators are designed to provide class leading performance, long life and ultra low maintenance.

Incorporating the latest surface mount Dual core LED's with enhanced optical output and outstanding reliability, they deliver excellent night-time images.

Each unit is fitted with integrated control circuitry to carefully control LED output, delivering consistent illumination and projected working life in excess of 10 years.

The **Clarius® Plus** range of illuminators includes a new interchangeable lens diffuser system; which allows the user to quickly and easily alter the angle of illumination. Elliptical beam profiles allow more light to be delivered where it is needed, allowing both longer distances and minimising light wastage. The system also helps to prevent overexposure of foreground objects.

As standard the illuminator includes interchangeable lensing to deliver 10° circular, 20°, 30°, 60°, 80° and 95° elliptical beam profiles.

Installation is quick and easy, requiring only 12-32V DC / 24V AC +/-10%.

## PRODUCT FEATURES

- Small IR Illuminator
- Latest SMT Dual Core LED™ Technology
- Distances Up To 132m (434')
- Angle 10°, 20°, 30°, 60°, 80° & 95°
- Elliptical Beam Profiles
- 850nm or 940nm Wavelengths
- Low Power Consumption (15W)
- Long Life
- 5 Year Warranty
- IP66 Weather Proof Rating
- Built-in Photocell IR On/Off
- Photocell Following Contact
- Telemetry Input for
- Remote Switching
- 12-32V DV / 24V AC +/-10%
- **CleanLITE®** Self Cleaning Lens Coating Technology



INTERCHANGEABLE DIFFUSER LENS

## Recommended PSU ALT-30-24



## SECTORS



RESIDENTIAL



COMMERCIAL



INDUSTRIAL



BORDERS



MILITARY BASES



PORTS



POWER PLANTS



HERITAGE



AIRPORTS

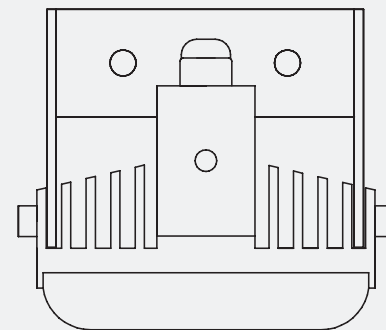
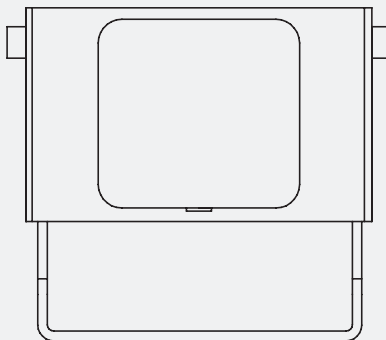
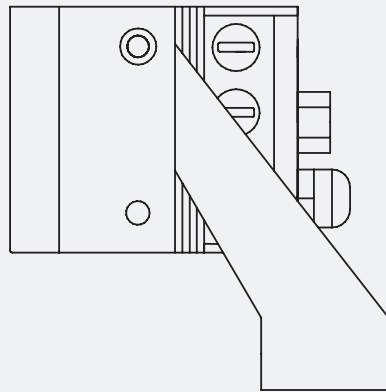


PRISONS

Product Code	Wavelength	Angle	Distance		FOV	
IS-8	850nm	10° - Circular	132m	434'	23m	76'
		20° - Elliptical	90m	296'	32m	104'
		30° - Elliptical	66m	217'	35m	116'
		60° - Elliptical	42m	138'	49m	159'
		80° - Elliptical	30m	99'	50m	165'
		95° - Elliptical	21m	69'	46m	151'
IS-9	940nm	10° - Circular	81m	266'	14m	47'
		20° - Elliptical	48m	158'	17m	56'
		30° - Elliptical	39m	128'	21m	69'
		60° - Elliptical	24m	79'	28m	91'
		80° - Elliptical	18m	59'	30m	99'
		95° - Elliptical	12m	39'	26m	86'

Other angles available on request.

## TECHNICAL SPECIFICATIONS



### GENERAL

Electronics	High Efficiency Surface Mount High Power <b>Dual Core LEDs™</b> With Advanced Current Limited Integral Control Circuitry
Construction	Robust High Quality Aluminium Extrusion
Front Window	Polycarbonate High Transmission Protective (Vandal Proof) IR Filter with <b>CleanLITE®</b> Technology
Finish	Black Anodised
Power Cable	3m (9ft) including Photocell Following Contact & Remote Telemetry Input
Pressure Equalisation Vent	Prevents Thermal Expansion & Pressure Cycling
Photocell	Adjustable 20 -70 Lux
Illumination	Adjustable 10% - 100%
Operating Temperature	-50° to 50°C (-58° to 122°F)
Weight	750g (1.6lbs)
Mount	Powder Coated Stainless Steel Wall Mount
Dimensions	68 x 110 x 78mm (2.68" x 4.33" x 3.07")

### ELECTRICAL

Input Voltage	12-32V DC or 24V AC +/-10%
Input Current	0.6A at 24V AC
Consumption	15W

### WAVELENGTH

Standard	850nm (Semi Covert). Faint Red Glow Only
Optional	940nm (Covert). Minimal Visible Glow

### CERTIFICATION

Safety	EN60598:2004	Electrical Safety
	EN60825-1	Laser Eye Safety
IP	IP66 In Accordance With EN60529:1992	
EMC	EN61000, FCC Part 15. 107	
	15. 108 Class B	
WEEE	Waste Electrical & Electronic Equipment European Directive 202/96/EC	
RoHS	Restriction Of Hazardous Substance European Directive 202/95/EC	

Please note GJD reserve the right to change the information within this document, without notice. **DSIS+-31-08-15**

www.gjd.co.uk | info@gjd.co.uk | +44 (0) 1706 363 998

Unit 2 Birch Business Park, Whittle Lane, Greater Manchester, Lancashire, OL10 2SX

