

THC-D220 HD1080P Vandal Proof IR Dome Camera



Key Features

- 2 Megapixel high-performance CMOS
- Analog HD output, up to 1080P resolution
- True Day/Night, Smart IR
- Up to 20m IR distance
- IP66 weatherproof & vandal proof
- OSD menu
- Up the Coax(HIKVISION-C)

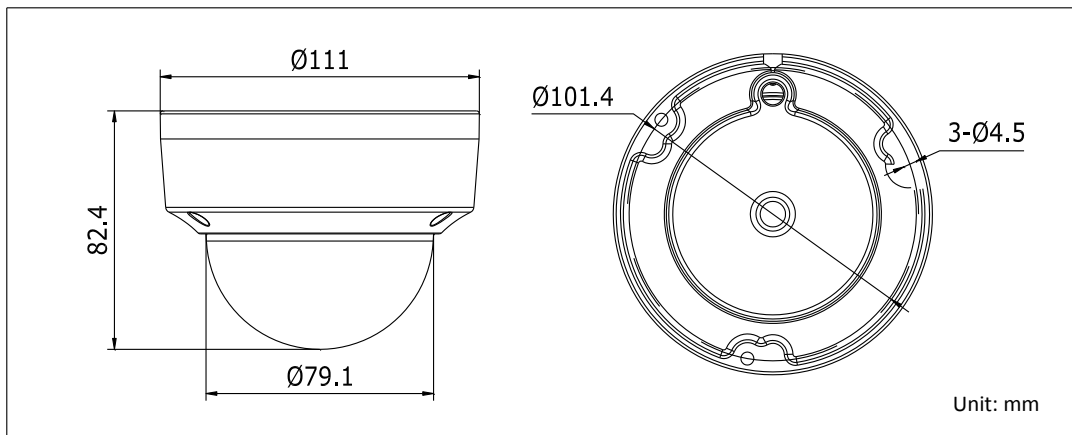
Specifications

Camera	
Image Sensor	2MP CMOS Image Sensor
Signal System	PAL/NTSC
Effective Pixels	1930(H)*1088(V)
Min. illumination	0.01 Lux @ (F1.2,AGC ON),0 Lux with IR
Shutter Time	1/25(1/30)s to 1/50,000s
Lens	3.6mm (2.8mm, 6mm optional)
	Angle of View: 105.8°(2.8mm), 84.3°(3.6mm), 55.4°(6mm)
Lens Mount	φ14
Day & Night	ICR
Angle Adjustment	Pan: 0 - 355°, Tilt: 0 - 75°, Rotation: 0 - 355°
Synchronization	Internal synchronization
Video Frame Rate	1080p@25fps/1080p@30fps
HD Video Output	1 Analog HD output
S/N Ratio	>62dB
Menu	
AGC	High/Medium/Low/Off
D/N Mode	Smart IR/Color/BW
White Balance	Auto/Manual
BLC	Support
Language	English
Functions	Digital noise reduction, Mirror
General	
Operating Conditions	-40 °C – 60 °C (-40 °F – 140 °F), Humidity 90% or less (non-condensing)
Power Supply	12 VDC ± 15%
Power Consumption	Max. 4W
Protection Level	IP66
IR Range	Up to 20m
Impact Protection	IK10
Communication	Up the coax, Protocol: HIKVISION-C(TVI output)
Dimensions	Φ111 × 82.4(Φ4.37" × 3.24")
Weight	550 g

Order Models

THC-D220

Dimensions



Accessories



DS-1259ZJ

Inclined Ceiling Mounting



DS-1271ZJ-110

Pendant Mounting



DS-1272ZJ-110

Wall Mounting



DS-1271ZJ-110B

Wall Mounting



DS-1280ZJ-DM18

Junction Box



DS-1258ZJ

Wall Mounting



DS-1H18

Video Balun



X41T

Camera Tester