

# PoE NVR 16CH

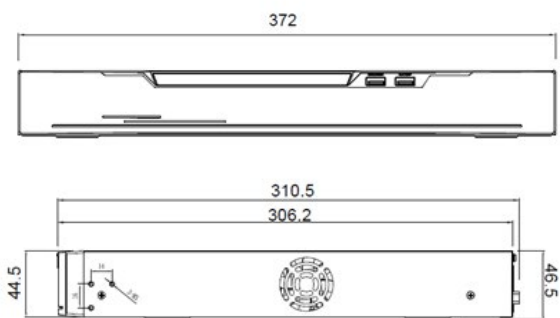
Item no.: 0070-10403



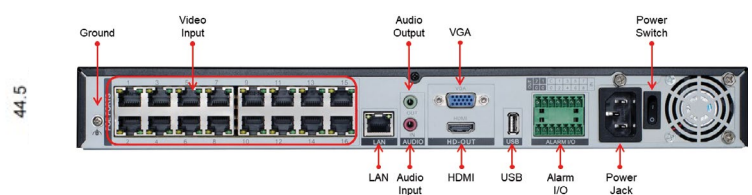
## FEATURES

- Up to 16ch IP cameras access
- Up to 8MP resolution for live view and recording
- Intelligent analysis by NVR: Intrusion (support the accurate detection of vehicle and human)
- 2 SATA hard disk, up to 12TB for each HDD
- 1 RJ45 10/100/1000Mbps network interface
- 16ch POE ports
- Smart search & playback
- Support cloud upgrade

## OVERVIEW



## REAR PANEL



#### Video Input

<b>IP Camera Input</b>	16 Channel
<b>Incoming Bandwidth</b>	112 Mbps
<b>Outgoing Bandwidth</b>	112 Mbps

#### Video Output

<b>HDMI Output</b>	3840×2160,1920×1080, 1280×1024, 1024×768
<b>VGA Output</b>	1920×1080, 1280×1024, 1024×768
<b>Decoding Capacity</b>	1ch 8MP, 4ch 1080P, 8ch D1, 16ch D1@30fps
<b>Dual Stream</b>	Support
<b>Multi-screen Display</b>	1/4/9/16

#### Recoding

<b>Resolution</b>	8MP, 6MP, 5MP, 4MP, 3MP, 1080P, 720P, D1 etc.
<b>Recording Mode</b>	Manual, Schedule (Regular, Continuous), Event
<b>Trigger Events</b>	Motion Detection, Video Loss, Alarm in, IVS

#### Playback and Backup

<b>Sync Playback</b>	16/9/4/1
<b>Search Mode</b>	Time /Date, Alarm, Picture grid, Event
<b>Backup Mode</b>	USB Device, Network

#### Alarm

<b>General Alarm</b>	Motion Detection, Video Loss, Alarm in, Alarm out, IVS (by camera)
<b>Abnormal Alarm</b>	Disk Alarm, IP Address Conflict, Network Disconnect
<b>Intelligent Analysis</b>	Intrusion detection (support the accurate detection of vehicle and human) by NVR

#### Network

<b>Network Function</b>	HTTP, HTTPS, TCP/IP, IPv4, UPnP, UDP, RTSP, SMTP, NTP, DNS, DHCP, P2P, IP Filter, DDNS, 802.1X, SNMP, 3G/4G, PPPoE
<b>Remote Users</b>	8 users
<b>Smart Phone</b>	iPhone, iPad, Android
<b>Interoperability</b>	ONVIF, SDK, CGI

#### Storage

<b>HDD</b>	2 SATA ports, up to 12TB for each HDD
------------	---------------------------------------

Interface	
Interface	1 × RJ-45, 10/100/1000 Mbps self-adaptive Ethernet port
PoE	16 Ports (IEEE802.3af), 128W
HDMI	1
VGA	1
Audio I/O	1/1
Alarm I/O	8/2
USB	3 ports (USB 2.0 × 3)
Reset Button	On-board reset button

General	
Power Supply	AC100 ~ 240V
Power Consumption	< 15 W (without HDD)
Operating Conditions	-10 °C ~ 50 °C (14 °F ~ 122 °F)
Storage Conditions	Less than 90% RH
Certifications	CE/FCC
Dimensions	372 × 310.5 × 46.5 mm (16.65 × 12.2 × 2.2 inch)
Net Weight	2.75 kg (6.05 lb) without HDD