



HD ONVIF iS GQ

# H4W2GR1V H4L2GR1V H4W4GR1V

Network TDN Low-Light WDR 2MP/4MP IR Rugged Dome

OPERATIONAL		
VIDEO STANDARD	NTSC/PAL	
SCANNING SYSTEM	Progressive scan	
IMAGE SENSOR	H4W2GR1V, H4L2GR1V: 1/2.8" 2 Megapixel progressive scan CMOS H4W4GR1V: 1/3" 4 Megapixel progressive scan CMOS	
NUMBER OF PIXELS (H×V)	H4W2GR1V, H4L2GR1V: 2MP - 1920x1080 H4W4GR1V: 4MP - 2560x1440/2688x1520	
MINIMUM ILLUMINATION	H4W2GR1V, H4L2GR1V: Colour : 0.001Lux @f/1.6, B/W : 0Lux @f/1.6(IR on) H4W4GR1V: Colour : 0.01Lux @f/1.6, B/W : 0Lux @f/1.6(IR on)	
S/N RATIO	50 db minimum	
ELECTRONIC SHUTTER SPEED	Auto/Manual, 1/3~1/100000s	
IR DISTANCE	50m	
DAY/NIGHT	Mechanical ICR (ON / OFF / AUTO selectable)	
BACKLIGHT COMPENSATION	BLC/HLC/WDR/SAC (Scene Adaptive Control)	
WIDE DYNAMIC RANGE (WDR)	H4L2GR1V: 140 dB (50/60fps off) H4W4GR1V, H4W2GR1V: 120 dB (50/60fps off)	
WHITE BALANCE	Auto/Natural/Street Lamp/Outdoor/Manual Customize Region	
GAIN CONTROL	Auto/Manual	
NOISE REDUCTION	3D Noise Reduction (ON / OFF selectable)	
PRIVACY MASKING	Up to 4 configurable areas	
ELECTRONIC IMAGE STABILIZATION	H4W2GR1V, H4W4GR1V: Not supported H4L2GR1V: Off/On	
DEFOG	Auto/Manual/Off	
LENS	H4W2GR1V, H4W4GR1V: 2.7-13.5 mm MFZ, DC IRIS, optical zoom 5x lens F1.6 H4L2GR1V: 2.7-12 mm MFZ, HALL IRIS(Extended Focal Depth), optical zoom 4x lens F1.6	
ANGLE OF VIEW	H4W2GR1V: FOV depending on different resolution, H: 110° - 32°, V: 59° - 19° H4L2GR1V: FOV depending on different resolution H: 102° - 35°, V: 54° - 21° H4W4GR1V: FOV depending on different resolution H: 110° - 30°, V: 53° - 18°	
AUDIO/TWO-WAY	Line In/Out	
ALARM INPUT/OUTPUT	2 In/1 Out	
ANALOG OUTPUT SUPPORT	Supported	
ETHERNET	H4W2GR1V, H4W4GR1V: RJ-45 (10/100Base-T) H4L2GR1V: RJ-45 (100/1000Base-T)	
IP SPECIFICATIONS		
VIDEO COMPRESSION	H.265+, H.265, H.264 and MJPEG bit rate control (CBR and VBR)	
RESOLUTION	16:9	H4W2GR1V, H4L2GR1V: 1080p (1920x1080)/720p (1280x720) H4W4GR1V: 3M (2304x1296)/1080p (1920x1080)/720p (1280x720)
	4:3	1.3M (1280x960)/VGA (640x480)
	OTHER	H4W2GR1V, H4L2GR1V: D1 (704x576/704x480)/CIF (352x288/352x240) H4W4GR1V: 4M (2688x1520)/(2560x1440), /D1 (704x576/704x480)/CIF (352x288/352x240)

IP SPECIFICATIONS		
FRAME RATE	MAIN STREAM	H4W2GR1V, H4L2GR1V: 1080P (1~50/60fps WDR off) H4W4GR1V: 4M (1~25/30fps)
	SUB STREAM	H4W2GR1V, H4L2GR1V: D1 (1~50/60fps WDR off) H4W4GR1V: D1 (1~25/30fps)
	THIRD STREAM	H4W2GR1V: 1080P (1-25/30fps) H4L2GR1V: 1080P(1-50/60fps WDR off) H4W4GR1V: 4M(1~25/30fps)
AUDIO COMPRESSION	G.711a/ G.711Mu/ AAC/G.726	
	Full duplex, simplex	
	SUPPORTED WEB BROWSERS	
SUPPORTED OS		Windows® 7 32-bit/64-bit; Windows® 10 32-bit/64-bit
SUPPORTED PROTOCOLS*		HTTP; HTTPS; TCP; ARP; RTSP; RTP; UDP; SMTP; FTP; DHCP; DNS; DDNS; PPPOE; IPv4/v6; QoS; UPnP; NTP; Bonjour; 802.1x; Multicast; ICMP; SNMP
COMPATIBILITY		ONVIF Profile S, G and Q
MAXIMUM USERS ACCESS		20 users
SECURITY		User account and password protection HTTPS, IP Filter, IEEE 802.1x, Digest authentication, User access log, TLS1.2, AES-256, SSH/Telnet closed, FTP disabled, PCI-DSS compliance, Hardware chipset for private key
HEAT MAP		H4L2GR1V: Support
BUILT-IN ALARM & EVENT	EVENT TYPE	H4W2GR1V, H4W4GR1V: Motion Detection/Video Tampering/Face Detection/SD Card Error/SD Card Capacity Warning/Audio Detection/ Object Abandoned/Object Missing/Tripwire/Intrusion H4L2GR1V: Motion Detection/Video Tampering/Face Detection/SD Card Error/SD Card Capacity Warning/Audio Detection/Object Abandoned/Object Missing/People counting
	EVENT LINKAGE	Recording on SD card, Relay output, Email, Snapshot
	EVENT OUTPUT	ONVIF, ISOM
UPLOADABLE VIDEO ANALYTICS (H4L2GR1V ONLY)	BASIC	Trigger line/Intrusion/Loitering available now (Please download from www.honeywellvideo.com. Free of Charge, but please email to VALicensing@Honeywell.com to get license.)
	ADVANCED LICENSED ANALYTICS	IntrusionTrace/LoiterTrace for advanced applications coming soon. ( Need to purchase separately)
	ANALYTICS OUTPUT	ISOM event output, Metadata
MICRO SD		Micro SDHC Capacity Max 32GB Micro SDXC Capacity Max 128GB

<b>MICRO SD FUNCTION</b>	<ul style="list-style-type: none"> <li>• Event trigger recording</li> <li>• Continuous and scheduled recording</li> <li>• Automatic recording when network fails</li> </ul>
<b>LANGUAGES SUPPORTED</b>	English, Arabic, Czech, Dutch, French, German, Italian, Japanese, Korean, Polish, Portuguese, Russian, Simplified Chinese, Spanish, Turkish
<b>ELECTRICAL</b>	
<b>POWER SUPPLY</b>	PoE+(802.3at) Class 4/12VDC/24VAC
<b>LONG DISTANCE POE SUPPORT</b>	3X POE (300m @100Mbps)
<b>AC FREQUENCY</b>	50/60 Hz
<b>POWER CONSUMPTION</b>	<b>H4W2GR1V:</b> Max 22W <b>H4L2GR1V:</b> Max 20.5W <b>H4W4GR1V:</b> Max 15W
<b>AUXILIARY POWER SUPPLY</b>	2.0W, DC12V (+/-5%)
<b>MECHANICAL</b>	
<b>DIMENSIONS</b>	6.2" x 4.6" ( 159.0 x 118.0 mm)
<b>WEIGHT</b>	<b>H4W2GR1V:</b> Product weight: 2.46lb (1117g) Package Weight: 4.40lb (1994g) <b>H4L2GR1V:</b> Product weight: 2.49lb (1130g) Package Weight: 4.42lb (2007g) <b>H4W4GR1V:</b> Product weight: 2.47lb (1119g) Package Weight: 4.40lb (1997g)
<b>CONSTRUCTION</b>	Die-cast aluminum housing with powder coat
<b>CONSTRUCTION COLOUR</b>	RAL 9003 (White)


<b>ENVIRONMENTAL</b>	
<b>OPERATING TEMPERATURE</b>	-40°F to 140°F (-40°C to 60°C)
<b>RELATIVE HUMIDITY</b>	0% to 95%, non-condensing
<b>GORE VENTS</b>	Yes
<b>INGRESS PROTECTION</b>	IP 67
<b>IMPACT RESISTANCE</b>	IK10
<b>HEATER, FAN OPTION</b>	Heater, Fan
<b>REGULATORY</b>	
<b>EMISSIONS</b>	FCC Part 15, CE (EN 55032); Complies with RCM (AS/NZS)
<b>IMMUNITY</b>	CE (EN 50130-4)
<b>SAFETY</b>	North America UL Listed to UL/CSA 60950-1, CE (EN 60950-1); North America UL Listed to UL/CSA 60950-22, CE (EN 60950-22)
<b>ROHS</b>	EN50581

\* Some development may be required in specific user cases to support some of these protocols in the field as they mature over time.

\*\* ADPRO® IntrusionTrace™ and ADPRO® LoiterTrace™ are Xtralis® video content analytics products. Additional license purchase(s) required. See <http://www.xtralis.com/analytics> for more information.

## Network TDN Low-Light WDR 2MP/4MP IR Rugged Dome

### RECOMMENDED ACCESSORIES

<b>SYSTEM INTEGRATION</b>	
<p>ONVIF support and open API software integration. Refer to <a href="http://www.onvif.org">www.onvif.org</a> for the ONVIF specification and the Honeywell Open Technology Alliance website (<a href="http://www.security.honeywell.com/hota/">http://www.security.honeywell.com/hota/</a>) to learn more about our open and integrated solutions.</p>	

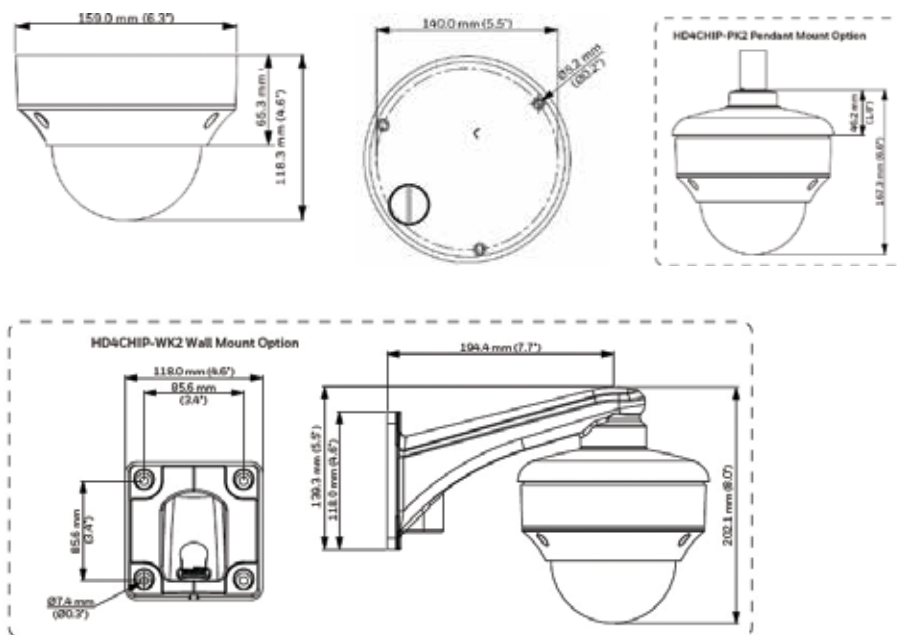
<b>HOUSING AND MOUNTS</b>		
HB4G-PM		Pole Mount Adapter
HB34G-CM		Corner Mount Adapter
HD4CHIP-PK2		Pendant Mount Adapter, NPT
H4G-PK		Pendant Mount Adapter, G1.5
HD4CHIP-WK2		Wall Mount Bracket
H4G-CB		Replacement Dome (Clear)
H4G-SB		Replacement Dome (Smoke)
HPOE3X		3X Long Distance POE Switch
HLR1001		IP over Coax Converter

# Network TDN Low-Light WDR 2MP/4MP IR Rugged Dome

## ORDERING

<b>H4W2GR1V</b>	Network TDN Low Light WDR IR Outdoor Dome Camera, 1/2.8" 2 Megapixel progressive scan CMOS, 2.7-13.5 mm MFZ, 4 IR LEDs, PoE+, H.265+
<b>H4L2GR1V</b>	Network TDN Intelligent Ultra WDR IR Outdoor Dome Camera, 1/2.8" 2 Megapixel progressive scan CMOS, 2.7-12 mm MFZ, 4 IR LEDs, PoE+, H.265+
<b>H4W4GR1V</b>	Network TDN WDR IR Outdoor Dome Camera, 1/3" 4 Megapixel progressive scan CMOS, 2.7-13.5 mm MFZ, 4 IR LEDs, PoE+, H.265+

## DIMENSIONS



### For more information

[www.honeywell.com/security/uk](http://www.honeywell.com/security/uk)

### Honeywell Security

Aston Fields Road  
Whitehouse Industrial Estate  
Runcorn, Cheshire, WA7 3DL  
United Kingdom  
Tel: +44 (0)8448 000 235

Honeywell Security Office  
Emaar Business Park, Sheikh Zayed Road  
Building No. 2, 2nd floor, 201  
Post Office Box 232362  
Dubai, United Arab Emirates  
Tel: +971 44541704  
[www.honeywell.com](http://www.honeywell.com)

ONVIF and the ONVIF logo are trademarks of ONVIF Inc. Honeywell reserves the right, without notification, to make changes in product design or specifications.

HSV- H4xxGRxV-01-UK(0618)DS-Z  
© 2018 Honeywell International Inc.

**Honeywell**