



GAHD33IRPTZA

AHD 33x Zoom IR High Speed PTZ Dome Camera

The GAHD33IRPTZA is a 33x AHD IR High Speed PTZ Dome with an IR distance up to 100m in ideal conditions. The camera supports Analogue output as well as a Video Transmission Distance up to 500m using a Genie Certified Cable.

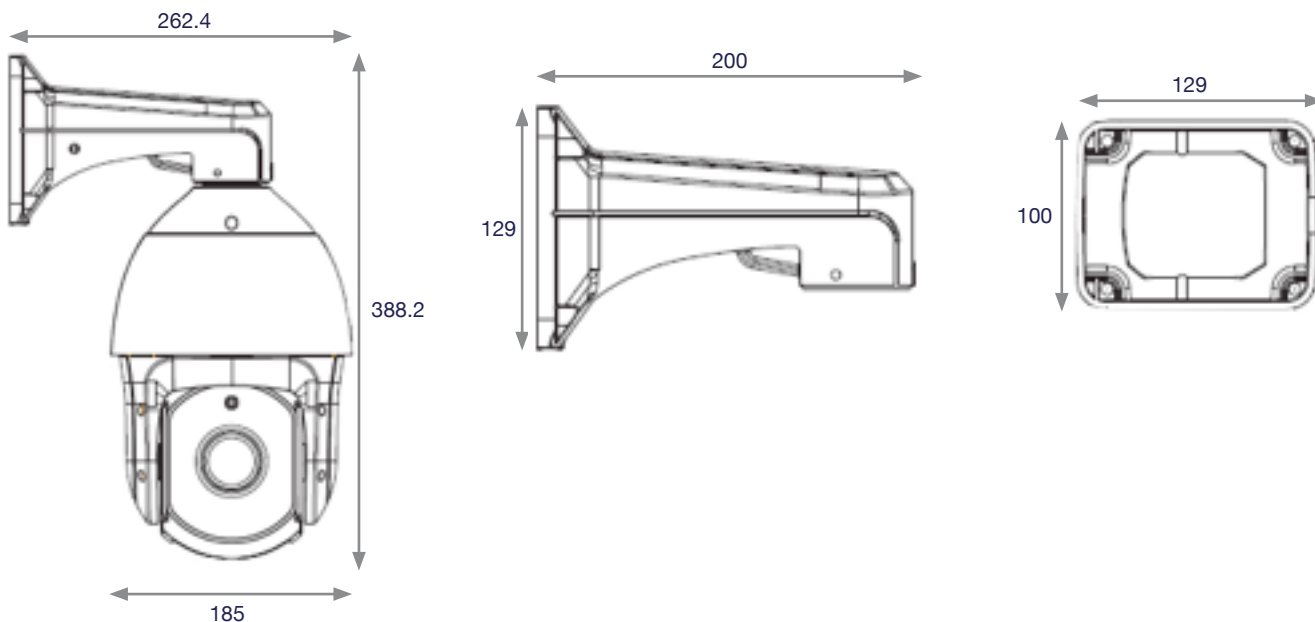


GAHD33IRPTZA

Key Features

- AHD 1080P 1/2.8" CMOS
- 33x Optical Zoom
- 8 Alarm Inputs
- Up to 100m IR Distance (In Ideal Conditions)
- Supports AHD and Analogue Output
- Video Transmission Distance up to 500m (AHD) using Genie Certified Cable
- Supports up to 220 Presets, 8 Patrol Scans. Each Patrol can add 32 Presets
- Pan Range 360° Continuous Rotation
- IP66
- Surge Protection
- AC24V

Dimensions (mm)





Specification

Model Number	GAHD33IRPTZA
Image Sensor	1/2.8" CMOS
Resolution	1920 x 1080
Illumination	0.05 Lux / F2, Colour; 0.005 Lux / F2, B&W, 0 Lux with IR
Image	Flip / Mirror
Exposure Mode	Auto
S/N	> 50dB (AGC OFF)
DNR	Supported
BLC	On / Off
DWDR	Supported
Electronic Shutter	1/25 - 1/10,000s
Scan System	Progressive Scanning
Sync	Internal Synchronization
Day/Night Mode	Support IR-CUT Colour To Black
Focus Mode	Auto / Manual
Gain Control	Auto / Manual
Digital Zoom	Supported
Lens Initialisation	Built-In
Optical Zoom	33x
Focus Range	4.6mm - 152mm (Close To Focal)
Pan Angle	64.1° - 3.6°(Wide - Tele)
Privacy Masking	Supported
IR Distance	Up to 100m
IR Angle	Three Angle Adjustable with Zoom In/Out
Pan Speed	0.6° - 200°/S
Tilt Speed	0.8° - 75°/S
Tilt Range	0° - 90°, Auto Flip 180°
Manual Speed	High / Middle / Low for Adjustable
Proportional Zoom	Support
Preset	Up to 220
Patrol	8, Each Patrol can add 32 Presets
Pattern	4, Total Record Time More than 10 Mins
A.B Preset Scan	Supported
Park Function	Yes
BNC Output	AHD (1Vp-p 75Ω) CVBS PAL / NTSC BNC
Power Supply	AC24V 3A
Power Consumption	Max 10W in the Daytime, Max 30W at Night
Working Temperature	-20°C-60°C
Working Humidity	≤90%RH (Frostless)
IP Rating	IP66
Weight	5.5 Kg
Dimensions	185 (Ø) x 388.2 (H) mm

Genie Access reserves the right to change specifications without notice. Please contact your representative to confirm current specifications.