



D-TECT X Dual Tech

The BS8418 compliant D-TECT X Dual Tech detector is a battery powered outdoor motion detector designed to work with GJD's D-TECT X Wireless Receiver. It features a quad PIR sensor module and microwave sensor, stylish IP65 fully tampered housings with a discreet internal antenna. Units accept 2 x 3 volt CR123 batteries, 500m RF transmission range on 868MHz and individual code for pairing to the receiver.

The D-TECT X Receiver (GJD 392) can be linked in its base form to 4 detectors and this can then be expanded up to 16 detectors, with the use of the GJD393 D-TECT X Expander Module.

Due to the number of individual detector codes (in excess of 16M), multiple receivers can be used on any site.

PRODUCT CODES

GJD460 D-TECT X Dual Tech

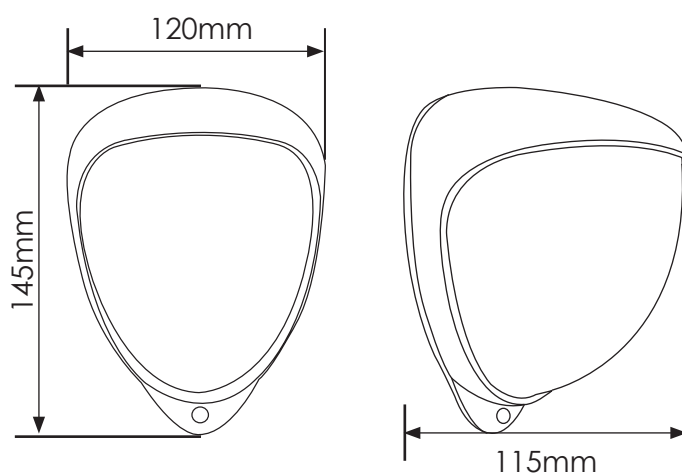
UNIQUE FEATURES

- Adjustable pan and tilt
- Dual Tech PIR with Quad pyro and microwave detection technology
- Discreet internal antenna
- Wireless technology

END USER BENEFITS

- Modern design
- Easy to install
- Highly cost effective
- Great for temporary installations
- Aesthetically pleasing design

DIMENSIONS



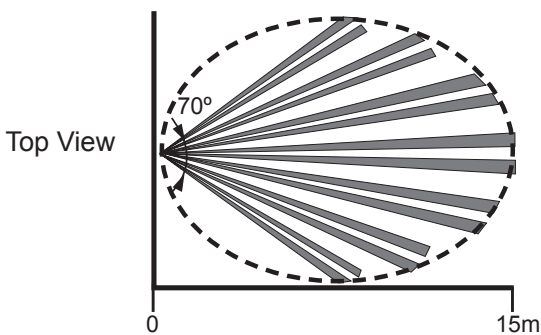
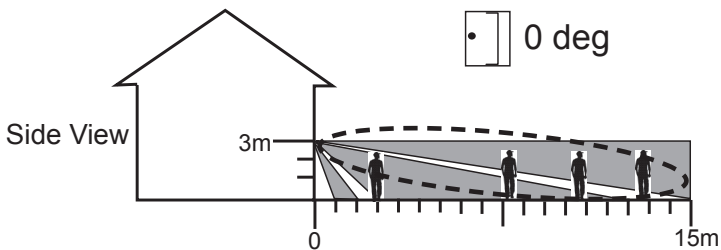
ACCESSORIES

GJD392	D-TECT X Receiver
GJD393	D-TECT X Expander Module
GJD394	D-TECT X Walk Tester
GJD397	D-TECT X Repeater
PMB1	Pole Mount

Transmission Range	500m Line of sight
Detection Range	15m x 15m
Detector Orientation	180° pan & 90° tilt
Mounting Height	Up to 6m - Optimum 3m
Tamper Switches	Front & rear tamper switches, case open and removal from wall
Outputs from GJD392 D-TECT X Receiver - Per Detector	1 N/Open Relay: 1 N/Closed Relay: Tamper; RF Loss; Low Battery.
End of Line Resistance	N/A
Power Input	2 x CR123, 3 volt batteries*
Pulse Count	1 - 2
Housing & IP Rating	High Impact ABS IP65
BS8418 Compliant	Yes

*Batteries not included

BEAM COVERAGE



Please note GJD reserve the right to change the information within this document, without notice.