



# GMP3L319

## 3MP IR Corrective Auto Iris DC Varifocal Lens

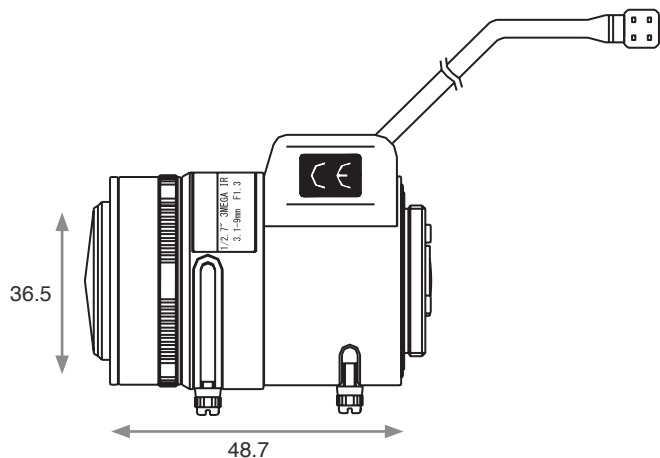


GMP3L319

### Key Features

- 3MP 1/2.7" 3.1-9.0mm F1.3 Lens
- IR Corrected Auto Iris DC Varifocal Lens
- Compatible with 1/2.8" and 1 1/3" Chip

### Dimensions (mm)



### Accessories

- FILTERKIT4 - Filter Set Up Kit



# Technical Specification

Model Number	GMP3L319
Focal Length	3.1 ~ 9.0mm AI Varifocal Lens
Fno.	F1.3
Image Format	1/2.7"
Iris Range	F1.3 - F360
Focus Range	0.5m - ∞
Zoom Range	3.1 ~ 9.0mm
Iris Control	DC Galvanometer
Focus Control	Manual Control
Zoom Control	Manual Control
Object Size at MOD	4.3 (Wide : 759 x 1206.2mm, Tele : 244.5 x 330.4mm) 16.9 (Wide : 593.7 x 1507.4mm, Tele : 202 x 370.5mm)
Field of View	4.3 (D : 127.7° ~ 43.5°, H : 99.4° ~ 34.8°, V : 73.1° ~ 26.1°) 16.9 (D : 130.3° ~ 44.3°, H : 111.4° ~ 38.6°, V : 60.1° ~ 21.6)
Iris Driving Coil / Supply Voltage	190Ω
Iris Damping Coil / Current	855Ω
Back Focus	8.317 ~ 15.491 mm
Exit Pupil	-281.9 ~ 30.15 mm
Aperture	Front : ø23.3 mm, Rear : ø8.2 mm
Operating Temperature	-20°C ~ +50°C
Mount	CS
Dimensions	ø36.5 x 48.7 mm
Weight	55.5g

Genie CCTV reserves the right to change specifications without notice. Please contact your representative to confirm current specifications.

