



ZN8-P4NTAF60L / ZN8-P5NTAF61L



ZN8-P5NTAF62L

Equipped with a high-intensity zoom lens, the IP outdoor dome from the Ganz Genstar series is suitable for many areas of responsibility. Directly integrated are eight IR LEDs which allow even in complete darkness the further use of this IP-PTZ dome.

- H.264 & MJPEG
- DWDR
- 1/2.8" CMOS
- Full-HD with up to 30 images / second
- Integrated IR-LEDs

Order data

Order number	Product description
ZN8-P4NTAF60L	H.264 2 Megapixel PTZ Dome, 4.7mm - 103mm, 1/2.8" CMOS, color 0.02 lux / b/w 0.002 lux, 0 lux (IR on), 3DNR, DWDR, IR-LEDs 100m, 24VAC, 332mm (H) x 205mm (D) incl. Wallmount and 24VAC power supply
ZN8-P5NTAF62L	H.264 3 Megapixel PTZ Dome, 4.7mm - 56.4mm, 1/2.8" CMOS, color 0.01 lux / b/w 0.001 lux, 0 lux (IR on), 3DNR, DWDR, IR-LEDs 100m, 12VDC/PoE+, 321mm (H) x 222mm x 146, 1.5kg, incl. Wallmount and 12VDC power supply
ZN8-P5NTAF61L	H.264 3 Megapixel PTZ Dome, 4.3mm - 129mm, 1/2.8" CMOS, Farbe 0.02 lux / b/w 0.002 lux, 0 lux (IR an), 3DNR, DWDR, IR-LEDs 100m, 24VAC, 322mm (H) x 146mm (D), 1.5kg, incl. wallmount and power supply 24VAC

Ganz Genstar IP PTZ



Wallmount & Power Supply inclusive



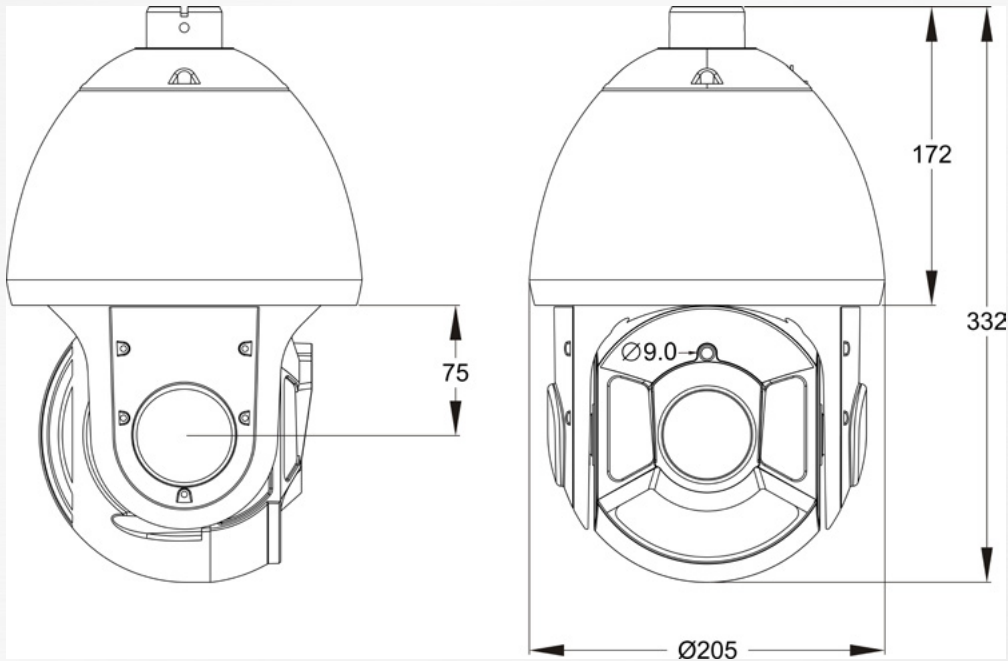
Wallmount & Power Supply inclusive



Wallmount & Power Supply inclusive

Technical specifications	ZN8-P4NTAF60L	ZN8-P5NTAF62L	ZN8-P5NTAF61L
Resolution	2MP	3MP	
Image Sensor	1/2.8" CMOS		
Compression	H.264, MJPEG		
Dualstream	Yes, configurable		
Resolution Options	1920 x 1080 / 25fps	2048 x 1536 / 25fps	
Video Frame Rate	max. 25fps Full-HD	max. 25fps @ 3MP	
Lens	4.7mm - 103mm, 22x optical, 12x digital	4.7mm - 56.4mm, 12x optical, 16x digital	4.3mm - 129mm, 30x optical, 16x digital
Day/Night	Mechanical		
Min. Illumination	0.02 Lux (Color) 0.002 Lux (B/W), 0 Lux (IR on)	0.01 Lux (Color) 0.001 Lux (B/W), 0 Lux (IR on)	
IR	Yes (Smart IR), max. 100m		Yes (Smart IR), max. 120m
DNR	Yes, 2/3DNR		Yes, 3DNR
WDR	Yes, D-WDR		
Audio input/-output	1 / 1		
Audio Codec	G.711, RAW PCM		
Network Interface	10 / 100 Base-T		
Protocols	HTTP, HTTPS, TCP/IP, UDP/IP, RTSP, DHCP, NTP, PoE, Unicast / Multicast, ONVIF		
Pan Angle / Speed	360° (endless), 0.01° - 180°/sec		
Tilt Angle / Speed	-10° ~ 90°, 0.01° - 90°/sec		
Presets	255	300	400
Tour	Max. 12		
Auto-Scan	Max. 12		
Track	Max. 6		
Privacy Masking	Yes		
Motion Detection	Yes		
Interfaces	RJ-45, 7x Alarm-In, 2x Alarm-Out	RJ-45, 2x Alarm-In, 1x Alarm-Out	RJ-45, 7x Alarm-In, 2x Alarm-Out
Micro SD-Card	Yes (up to 64GB)		
Operating Voltage	24VAC	12VDC / PoE+	24VAC
Power Consumption	40W max.	25W max.	40W max.
Protection Class	IP66		
Operating Temperature	-40°C - +60°C	-40°C - +65°C	-40°C - +60°C
Dimensions	332mm (H) x 205mm (Ø)	321mm (H) x 146mm (Ø)	332mm (H) x 205mm (Ø)
Weight	4.3kg	1.5kg	4.3kg

ZN8-P4NTAF60L / ZN8-P5NTAF61L



ZN8-P5NTAF62L

