



# HDMCD21IRW

## HD-SDI External Mini Ball IR Dome Camera

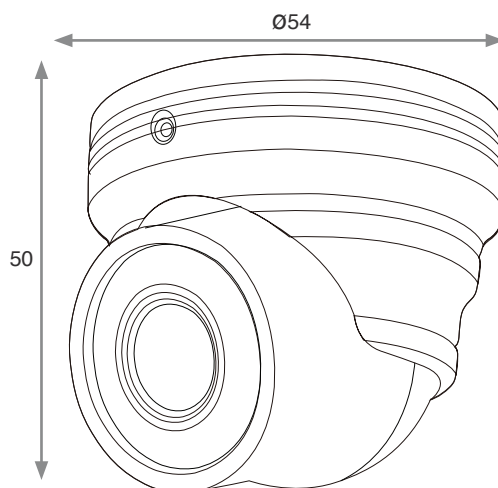


HDMCD21IRW

### Key Features

- HD (High Definition) Surveillance
- 2DNR / 3DNR
- Smart-IR
- Sens-Up
- Defog
- HLC (High Light Compensation)
- Privacy Zone
- OSD
- Privacy Masking
- ACCE (Adaptive Color & Contrast Enhancement)
- WDR (Wide Dynamic Range)

### Dimensions (mm)



Genie CCTV reserves the right to change specifications without notice. Please contact your representative to confirm current specifications.





## Technical Specification

Model Number	HDMCD21IRW
Image Sensor	1/3" Panasonic 2.1 Mega CMOS Sensor
Effective Pixels	1944 (H) X 1092 (V), 2.12M Pixels
Total Pixels	2010 (H) X 1108 (V), 2.22M Pixels
Scanning System	Progressive Scan
S/N Ratio	More than 50dB
Resolution	1080P Full-HD
Frame Rate	PAL 25P/50I/50P
Video Output	1.0Vp-p Composite. 75Ω
Minimum Illumination	0 Lux
OSD	Built-In
BLC	OFF / BLC
HSBLC	OFF / HSBLC
White Balance	ATW / AWC -> Set / Manual / AWB
Shutter Speed	AUTO /FLK/ 1/60 Sec ~ 1/50000 Sec, x2, x4, x6, x8, x10, x15, x20,x25, x30
Sens-Up	(x2 ~ x30)
AGC	0~15 (Level Adjustable)
Digital Noise Reduction	2D, 3DNR (Smart-NR)
WDR (Wide Dynamic Range)	ON / OFF (Low, Middle, High)
De-Fog	0 (Position, Area Ajustable)
ACCE	OFF / ON
Motion	ON / OFF (4 Area)
Privacy	ON / OFF (8 Area)
Mirror	MIRROR,V-FLIP, ROTATE
Freeze	ON / OFF
Sharpness	0~15 (Level Adjustable)
Day & Night	AUTO/ COLOUR / B&W / EXT
D-Zoom	(x2 ~ x62)
Smart D-Zoom	(2 Area)
Defect	Live DPC / Static DPC (2048EA)
Lens Shading (LSC)	SCAN
Smart-IR	ON / OFF
RS-485 (Protocol)	0
Coaxial Communication (UTC)	MODE1 / MODE2
Language	ENG / ARB / HEB / TUR / NED / POR / RUS / POL / SPA / ITA / FRA / GER / KOR / CHN1 / CHA2 / JPN
Power	DC12V
Power Consumption	IR LED ON: 300mA Max
Lens	3mm Fixed Board Lens
Operating Conditions	Temperature: -10 ~ +50°C RH 95% Max. Humidity: -20 ~ +60°C RH 95% Max.
Dimensions (W x H x D)	54 x 50 x 54 mm
Weight	300g

## Accessories

- **FILTERKIT4** - Filter Set Up Kit
- **GMPC12** - DC12V & AC24V Power Connector Jack (Male) to Terminal Block
- **GFPC12** - DC12V & AC24V Power Connector Jack (Female) to Terminal Block
- **PSU1SM** - In-Line DC12V 1A Output, Regulated Switch Mode PSU, with Fixing Mount

