



HXMB22MP

EX-SDI 2.2MP Mini Bullet Camera

HXMB22MP is a 2.2MP HD-SDI (EX) Bullet Camera with a 3.6mm fixed lens, detachable mount and OSD Controller Cable. 12VDC

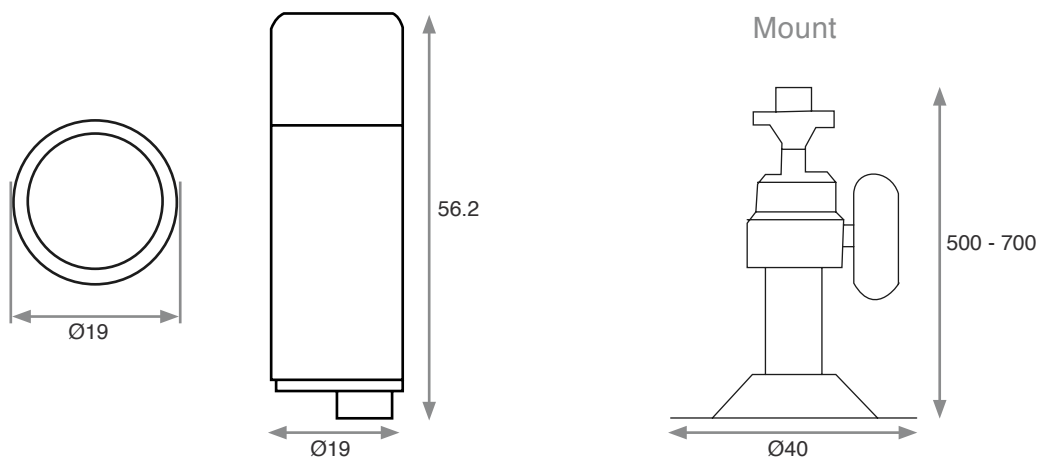


HXMB22MP

Key Features

- 1/3" Panasonic 2.2M Progressive Scan
- 2.2MP
- HD-SDI
- EX-SDI (Long Reach Up to 300m [RG59])
- WDR
- 3D-DNR
- IP67 Protected
- OSD Controller on Cable
- Detachable Mount
- 12VDC

Dimensions (mm)





Technical Specification

| | |
|--------------------|--|
| Model Number | HXMB22MP |
| Image Device | 1/3" Panasonic CMOS |
| Scanning System | Progressive |
| Resolution | 1080@60i/50i, 1080@60p/50p, 1080@30p/25p, 720@60p/50p, 720@30p/25p |
| Total Pixels | 1956 × 1266 Approx. 2.48 MP |
| Effective Pixels | 1944 × 1092 Approx. 2.12 MP |
| Shutter Speed | Auto / Manual (1/30(1/25) ~ 1/30000) / Flicker |
| Min. Illumination | 0.3 Lux |
| S/N Ratio | ≥80dB |
| SENS Up | Off / x2 / x4 / x8 / x16 / x32 |
| Day & Night | Auto / COLOR / B&W |
| White Balance | AWB/ATW/ PUSH LOCK/ MANUAL |
| IMAGE | SHARPNESS/ COLOR LEVEL/ MIRROR/ FLIP/ LENS SHADING/ GAMMA/ D-ZOOM/ ACE/ DEFOG |
| DNR (3D + 2D) | Off / Low / Middle / High |
| Motion & Privacy | Off / On (16 points) |
| Shading | 0 ~ 100% |
| DEFOG | Off / On |
| D-WDR / BLC / HLC | Off / WDR(Low / Middle / High) / BLC / HLC |
| OSD | Built in OSD Controller |
| Language | ENG, CHN, CHN, JPN, KOR |
| Video Output | EX-SDI, HD-SDI, CVBS |
| Power Supply | DC12V |
| Power Consumption | Max 150mA |
| Operating Temp. | -10°C ~ 50°C |
| Weight | 20g |
| Dimensions (L x W) | Ø19 x 56.2 mm |

Genie CCTV reserves the right to change specifications without notice. Please contact your representative to confirm current specifications.

Accessories

- PSU1SM : CCTV Power Supply