



# HXMD250IR

## EX-SDI True Day/Night Weatherproof Mini Dome IR Camera

*HXMD250IR is a 2MP/1080P EX-SDI progressive 50/60fps Internal Mini Dome IR Camera. EX-SDI offers 300m Video Transmission over RG59/RG6 offering True WDR at 30fps, Selectable HD-SDI or EX-SDI and True Day/Night ICR capability.*

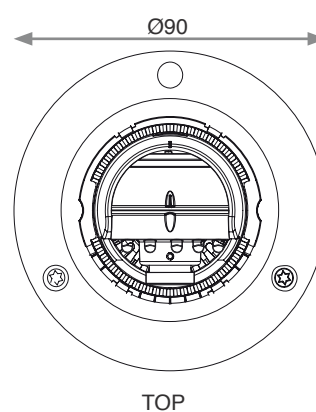
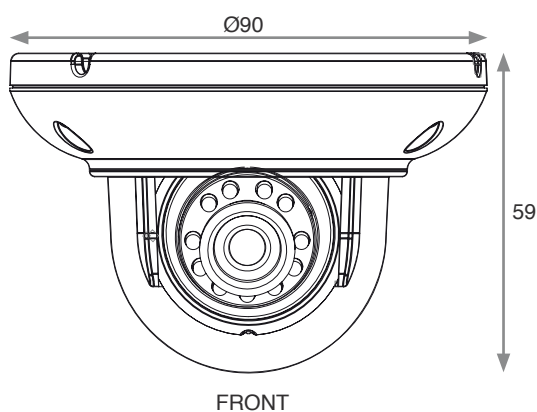


HXMD250IR

### Key Features

- 1/3" Sony 2MP Exmor CMOS Sensor
- True Day/Night
- 1080P Full HD Resolution
- 24 Area Privacy Masking
- Flicker Suppression
- 0 Lux Minimum Illumination
- Auto White Balance (ATW)
- Backlight Compensation (BLC)
- Auto Gain Control (AGC)
- OSD Menu
- Adjustable High Speed Shutter
- Vandal Resistant Housing
- 16x High Resolution Digital Zoom
- 3D DNR
- DWDR
- IP67
- DC12V
- Compact Dome - 59 x Ø90 mm

### Dimensions (mm)





# Technical Specification

Model Number	HXMD250IR
Image Sensor	1/3" Sony 2MP Exmor CMOS Sensor
Scanning System	Progressive 50/60fps / 25/30fps
High Speed Shutter	1/25 ~ 1/30,000 Sec, Auto
Resolution	720P / 1080P
Lens	3.6mm Fixed Board Lens
Total Pixels	1952 (H) x 1116 (V)
Effective Pixels	1944 (H) x 1104 (V)
Sensitivity (B&W)	0 Lux
S/N Ratio	50 dB
Sens Up	Off ~ x32
Shutter	Auto, Manual (1/25 ~ 30,00), Flicker
AGC	1 ~ 10 Level Adjustment
Day/Night Switch	Colour / B&W / Auto / Extern
Mirror H/V	0
Gamma (Monitor)	R = 0.45 ~ 0.75
Digital Zoom	x1 ~ x16
Quick Zoom	0
ACE	Off / Low / Middle / High
Shading	On / Off
White Balance	ATW / AWC / Manual / Preset (1,800K ~ 10,500K)
DNR	Off / Low / Middle / High
WDR	30P, Low / Middle / High (CVBS Off)
BLC	On / Off
HLC	On / Off
De-Fog	0
DIS	0
Aperture	1 ~ 20 Level Adjustment
Privacy Zones	24 Zones
Motion Detection	4 Zone On / Off / Sensitivity / Area Setting
Smart IR	OFF / ON (0 ~ 20 Level Adjustment)
Video Outputs	HD-SDI, Monitoring CVBS, 2 BNC
Alarm	MD Output 1
RS-485 (Protocol)	0 (Pelco D/P)
Power	DC12V, Consumption: 120mA Max. ±10%
Temperature Conditions	Temperature: -10°C ~ +50°C, Humidity: Less than 85%
Language	ENG / CHN / CHN(S) / JPN / KOR
Dimensions (H x Ø)	59 x Ø90 mm
Weight	300g

Genie CCTV reserves the right to change specifications without notice. Please contact your representative to confirm current specifications.

## Accessories

- **MVDJB** - Junction Box for GAHMVDIR & HXMD250IR Cameras
- **MVDWB** - Wall Mount Bracket for GAHMVDIR & HXMD250IR Cameras
- **PSU1SM** - In-Line DC12V 1A Output, Regulated Switch Mode PSU, with Fixing Mount