

IPC2

2MP HD IP True Day/Night Internal Box Camera

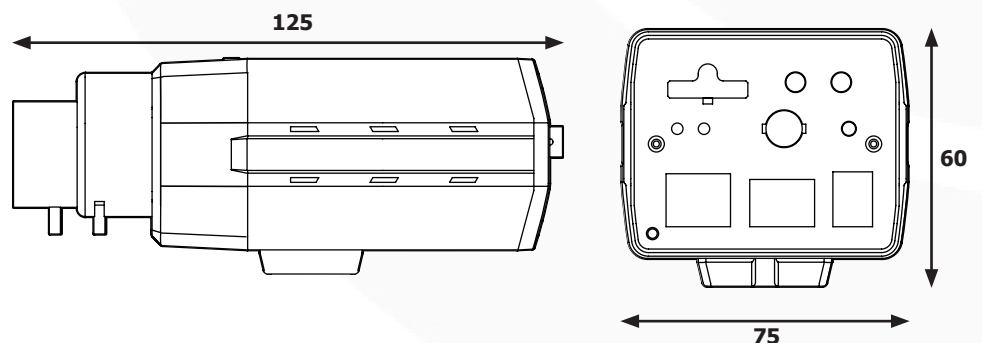


IPC2

Key Features

- 1/2.8" 2MP / 1080p Full HD CMOS
- True Day/Night
- Mechanical IR Cut-Filter
- Wide Dynamic Range (WDR)
- H.264 Video Compression
- SD Card Storage
- Audio Compression
- DC12V / Power over Ethernet (PoE)

Dimensions (mm)



Technical Specification

Model Number	IPC2
Image Sensor	1/2.8" 2MP CMOS
Resolution	2MP
Minimum Illumination	Colour: 0.5 Lux B&W: 0.01 Lux
Day / Night	AUTO / DAY / NIGHT
Focus	Manual
Shutter Speed	1/25 ~ 1/30,000 Sec
AGC	Yes
WDR	Yes
BLC	Yes
DSS	Yes
DNR	Yes
Sensor I/O	1 Input / 1 Output
Video Output	BNC: VBS 1.0 Vp-p
Material	Aluminum Die-Casting
Video Compression	H.264 / MPEG4 / MJPEG
Video Streaming	VBR / CBR
Video Resolution	1080p / 720p / D1 / CIF / QCIF
Frame Rate	30 fps for 1080p
Audio Compression	Two Way, G.711 PCM. μ -law 64kbps 8kHz
Local Storage	SD Card (Not Included) - JPEG Capture Only
Power	DC12V / PoE
Temperature	-10°C ~ 50°C
Support Protocol	IPV4 / IPV6 / DDNS / SECURITY
Onvif	Yes
Dimensions (W x H x L)	75 x 60 x 125 mm
Weight	0.45Kg

Features and specifications are subject to change for further improvement without any notice

Accessories

- **CWB-130** - Adjustable Bracket for Box Camera, M6 Screw Fixing, Ivory
- **CWB-130S** - Adjustable Bracket for Box Camera, M6 Screw Fixing, Silver
- **BR-01S** - Fully Cable Managed Box Camera Bracket, M6 Screw Fixing, Silver
- **BR02W** - Cable Managed Metal Wall Mount Camera Bracket, White
- **FILTERKIT4** - Filter Set Up Kit
- **GMPC12** - DC12V Power Connector Jack (Male) To Terminal Block
- **GFPC12** - DC12V Power Connector Jack (Female) To Terminal Block
- **POE-INJ01** - Single Port PoE Injector
- **PSU1SM** - In-Line DC12V 1A Output, Regulated Switch Mode PSU, with Fixing Mount