

## PTZ-T7230I-A 7 Inch Turbo IR 1080p Analog Speed Dome



Hiwatch series PTZ-T7230I-A 7 Inch Turbo IR 1080p Analog Speed Domes adopt 1/3" CMOS chip. With the 30× optical zoom lens, the camera offers more details over expansive areas.

This series of cameras can be widely applied to places requiring wide-area monitoring display, such as streets, stations, large venues, outside of residential areas, etc.

- High performance 1/3" CMOS
- Max. image resolution: 1920 × 1080
- Min. illumination: Color: 0.05Lux @ (F1.6, AGC ON); B/W: 0.005Lux @ (F1.6, AGC ON); 0 Lux with IR
- 30× optical zoom, focal length 4-120mm
- 16× digital zoom
- 120m IR distance
- IR cut filter
- 3D DNR, Digital WDR, BLC
- TVI and CVBS dual output

## Specifications

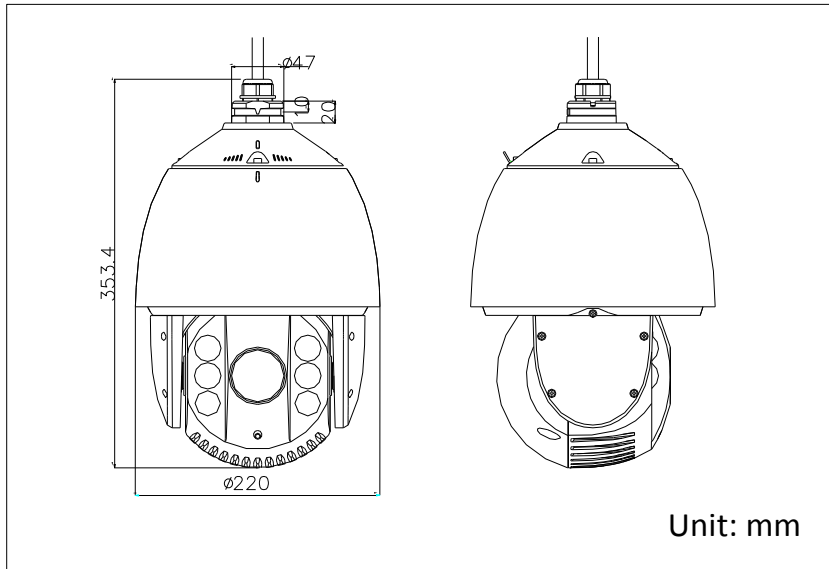
<b>Camera</b>	
Model	PTZ-T7230I-A
Image Sensor	1/3" CMOS
Max. Image Resolution	1920 × 1080
Frame Rate	50Hz: 25fps (1920 × 1080) 60Hz: 30fps (1920 × 1080)
Min. Illumination	Color: 0.05Lux @ (F1.6, AGC ON) B/W: 0.005Lux @ (F1.6, AGC ON) 0 lux with IR
White Balance	Auto/Manual/ATW/Indoor/Outdoor
AGC	Auto/Manual
S/N Ratio	> 50dB
DNR	3D DNR
BLC	Support
WDR	Digital WDR
Shutter Time	PAL: 1/1-1/10,000s; NTSC: 1/1-1/10,000s
Day & Night	IR Cut Filter
Privacy Mask	8 privacy masks programmable
Digital Zoom	16×
<b>Lens</b>	
Focus Mode	Auto/Semiautomatic/Manual
Focal Length	4mm to 120mm, 30× Optical
Aperture Range	F1.6 to F4.4
Angle of View	58° to 1.7° (Wide-Tele)
Min. Working Distance	10mm to 1500mm (Wide-Tele)
Zoom Speed	Approx. 3.0s (Optical, Wide-Tele)
<b>Pan and Tilt</b>	
Pan Range	360° endless
Pan Speed	Pan manual speed: 0.1° -160°/s; Pan preset speed: 240°/s
Tilt Range	-15°-90° (Auto flip)
Tilt Speed	Tilt manual speed: 0.1°-120°/s; Tilt preset speed: 200°/s
Proportional Zoom	Rotation speed can be adjusted automatically according to zoom multiples
Patrol	8 patrols, up to 32 presets per patrol
Pattern	4 patterns, with the total recording time not less than 10 minutes
Power-off Memory	Support
Park Action	Preset/Patrol/Pattern/Pan Scan/Tilt Scan /Random Scan/Frame Scan/Panorama Scan
PTZ Position Display	ON/OFF
Preset Freezing	Support
Scheduled Task	Preset/Patrol/Pattern/Pan Scan/Tilt Scan/Frame Scan/Random Scan/Panorama Scan
RS-485 Communication Diagnosis	Support

<b>IR</b>	
IR Distance	120m
IR Intensity	Automatically adjusted, depending on the zoom ratio.
<b>Input/Output</b>	
Turbo HD Output	1 turbo HD1080p output, NTSC (or PAL) composite, BNC
CVBS Output	1.0V[p-p]/75Ω, NTSC (or PAL) composite, BNC
RS-485 Interface	Half-duplex mode Self-adaptive HIKVISION, Pelco-P, Pelco-D protocol
UTC function	HIKVISION_C *Need UTC controller if DVR don't support UTC function
<b>General</b>	
Menu Language	English, Chinese
Power	24 VAC Max.30 W (IR: 9W; Heater: 6W)
Working Temperature	Outdoor: -30°C to 65°C (-22°F to 149°F)
Working Humidity	90% or less
Protection Level	IP66 standard (outdoor dome) TVS 4,000V lightning protection, surge protection and voltage transient protection
Mounting	Various mounting modes optional
Dimension	Φ220 × 353.4mm (Φ8.66"×13.91")
Weight (approx.)	4.5Kg (9.92bs)
Mount Option (outdoor domes only)	Long-arm wall mount: DS-1602ZJ Corner mount: DS-1602ZJ-corner Pole Mount: DS-1602ZJ-pole Power box mount:DS-1602ZJ-box

## Order Model

PTZ-T7230I-A

## Dimensions



## Accessories



DS-1602ZJ Long-arm Wall Mount Bracket