

DH-SD22204I-GC

2 Megapixel 1080P Mini HDCVI PTZ Dome Camera



Features

- Powerful 4x optical zoom
- Max. 25/30fps@1080P, 50/60fps@720P resolution
- DWDR, Day/Night (ICR), DNR (2D&3D), Auto iris, Auto focus, AWB, AGC, BLC
- Max 100°/s pan speed
- Control over coaxial cable, long distance real-time transmission
- HD and SD switchable
- Up to 255 presets, 8 tour
- Support intelligent 3D positioning with DH-SD protocol
- IP66, IK10, OSD

DH-SD22204I-GC

Technical Specifications:

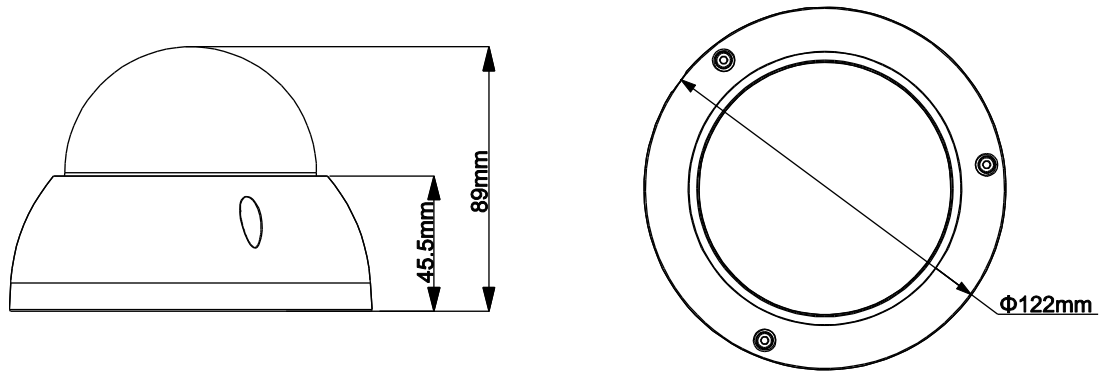
Model	DH-SD22204I-GC
Camera	
Image Sensor	1/2.7" CMOS
Effective Pixels	1944(H) x 1092(V), 2 Megapixels
Horizontal Resolution	≥1000TVL
Scanning System	Progressive
Electronic Shutter Speed	1/1s ~1/30,000s
Min. Illumination	Color: 0.05 Lux/F1.6, B/W: 0.005Lux/F1.6
S/N Ratio	More than 55dB
Resolution	25/30fps@1080P, 25/30/50/60fps@720P
Video Output	1-channel BNC HDCVI high definition video output/ CVBS standard definition video output (Can switch)
Camera Features	
Day/Night	Auto(ICR) / Color / B/W
Backlight Compensation	BLC / HLC / DWDR (Digital WDR)
White Balance	Auto, ATW, Indoor, Outdoor, Manual
Gain Control	Auto / Manual
Noise Reduction	2D / 3D
Privacy Masking	Up to 24 areas
Digital Zoom	16x
Lens	
Focal Length	2.7 mm~11mm (4x Optical zoom)
Max Aperture	F1.6~ F3.0
Focus Control	Auto / Manual
FOV-H	H: 112.5° ~ 39°
Close Focus Distance	100mm~1000mm
PTZ	
Pan/Tilt Range	Pan: 0° ~ 355° ; Tilt: 0° ~ 90°, auto flip 180°
Manual Control Speed	Pan: 0.1° ~ 100°/s; Tilt: 0.1° ~60°/s
Preset Speed	Pan: 100°/s; Tilt:60°/s
Preset	255
PTZ Mode	8 Tour, Auto Pan
Speed Setup	Human-oriented focal length/ speed adaptation
Power up Action	Auto restore to previous PTZ and lens status after power failure
Idle Motion	Activate Preset/ Scan/ Tour/ Pattern if there is no command in the specified period
Protocol	DH-SD, Pelco-P/D (Auto recognition)
Auxiliary Interface	
RS485	1
General	

DH-SD22204I-GC





Power Supply	DC12V
Power Consumption	10W
Working Environment	-20°C ~ 60°C / Less than 90% RH
Ingress Protection	IP66
Vandal Resistance	IK10
Dimensions	Φ122mm×89mm
Weight	0.95Kg

DH-SD22204I-GC

Dimensions (mm)



Accessories (Optional)

			
PFA123	PFB203W	PFA151	PFA152

Dahua Technology Co., Ltd.

1199 BinAn Road, Binjiang District, Hangzhou, China

Tel: +86-571-87688883

Fax: +86-571-87688815

Email: overseas@dahuatech.com

www.dahuatech.com

*Design and specifications are subject to change without notice.

© 2015 Dahua Technology Co., Ltd.