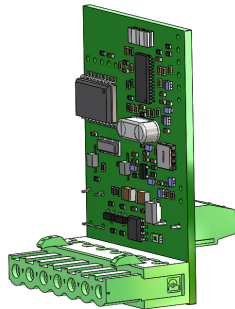


1 Introduction

The receiver ERONE type SELWR433-SAT is a plug-in receiver card, operating at 433,92 Mhz in AM/ASK modulation. The receiver has a 26-bit wiegand output. The output connector of the card can be fitted on:
 Atrium AC22 : reader 1 or reader 2
 Atrium A22 : readers - door 2 (only)
 The receiver is provided with an external tuned antenna which can be fixed on the Atrium metal box.

SELWR433-SAT



F1001000079

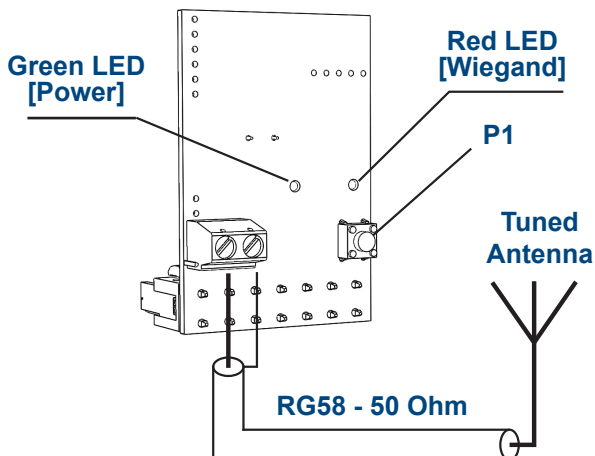
2 Specifications

Receiver type:	Superheterodyne
Operating frequency:	433,92 MHz
Power supply :	12 Vdc
Current consumption:	24 mA
Output type:	Wiegand 26-bit
Operating temperature:	-20 to +70 °C
Dimensions:	105 x 45 x 28 mm
Weight:	65 g
Input load:	50 Ohm

3 Compatible transmitters

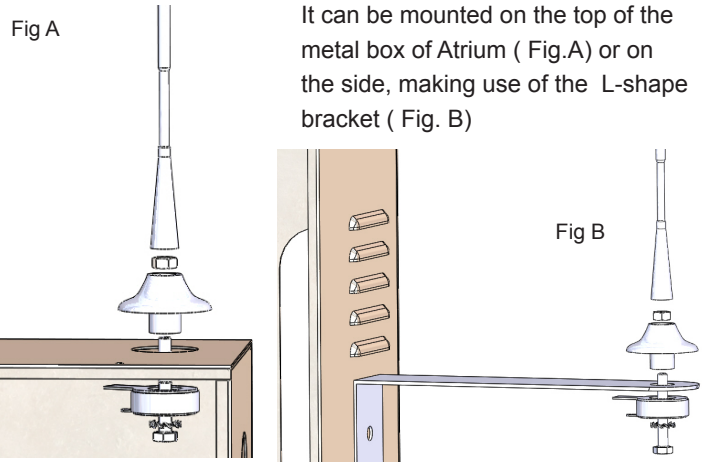
- Erone S2TR2641E1/E2/E4/E2M
- Erone SETR2641AM1/AM2
- Erone S3TR2641T2/T2/T4
- Erone S7TR2641E4
- Erone SETR2641-TM

4 Layout

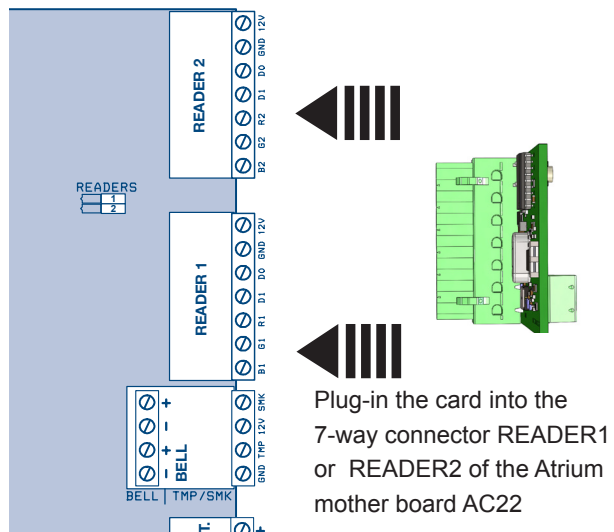


5 Mounting the antenna on Atrium box

The product comes with a 433 Mhz stylo antenna.

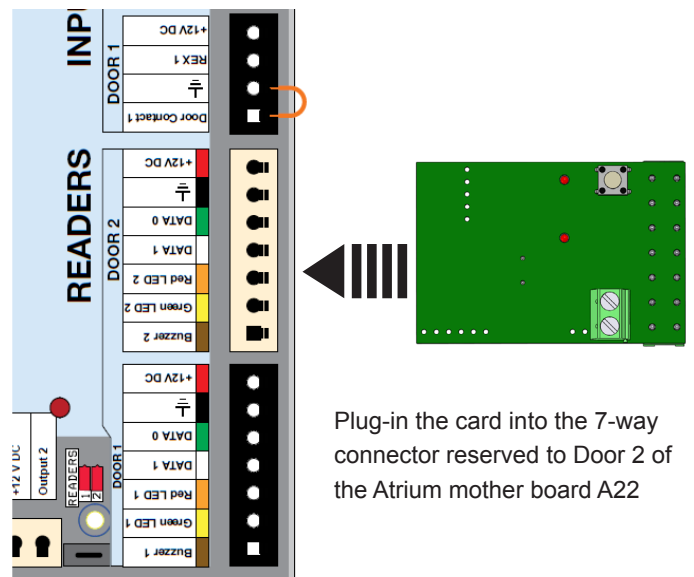


6a Plug-in on AC22



Plug-in the card into the 7-way connector **READER1** or **READER2** of the Atrium mother board **AC22**

6b Plug-in on A22



Plug-in the card into the 7-way connector reserved to **Door 2** of the Atrium mother board **A22**

NOTE : The information contained in the transmitter signal is composed by 4 main parameters: **MANUFACTURER KEY, FACILITY CODE, SERIAL NUMBER and BUTTON TYPE.**

The receiver accepts only transmitters with the right Manufacturer Key (ERONE) and sends out, on the wiegand bus, their SERIAL NUMBER.

The receiver doesn't output any signal unless a transmitter programming is performed.

7 Transmitter memorization

Before starting transmitter memorization make sure the receiver module is fix to ATRIUM reader port and system is ON (power). Green LED will lit on RX module.

TRANSMITTER BUTTON PROGRAMMING

- 1) Press Receiver Button **P1** until the **Red LED turns on**, then release it.
- 2) Press a **transmitter button** (A, B, C or D)
- 3) The **Red LED turns off and then make a short flash.**
Any operation not allowed (memorization with full memory, memorization of already stored codes) will cause 2 quick flashes of **Red LED**.
- 4) Repeat step 2 for all each button needed.

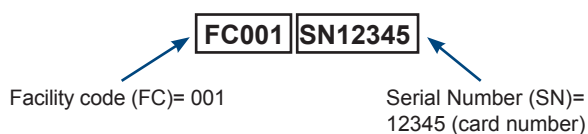
All transmitters with the Facility code and the button which you have just enrolled will now be detected by the receiver.

NOTE : The receiver memory doesn't store the SERIAL NUMBER of the transmitter but only the combination: "Facility code - Button". The combinations can be, for example: 001-A, 001-B, 002-B, 003- B, 010-D, where 002 is the Facility code, B is the transmitter button and so on.

Combinations as A+B or C+D are not allowed.

The receiver has a memory for **50** different combinations

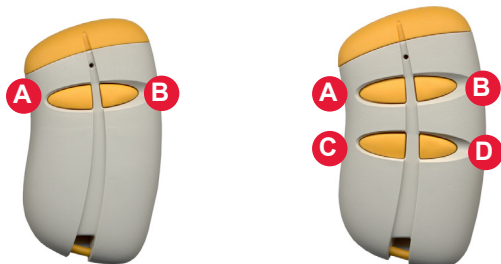
You must add the serial number of the remote into the ATRIUM access control system to benefit access rights.



Facility code and serial number are located on the back of the transmitter

Application:

You have 2 garage doors in the same range (location): use one RX module per garage door. The "**A**" button for garage entry door (RX #1) and the "**B**" button for garage exit door (RX #2).



8 Disabling Facility code verification

When disabling facility code verification, the receiver will accept any facility code and maintains the check on the key button.

Do the following to disable facility code verification:

- 1) Press the **Receiver Button** button until the **Red LED** turns on and then release it.
- 2) Within 1 sec. press **Receiver Button** again. At this point the **Red LED** starts to flash quickly. Facility code verification is now disable.

(To restore facility code verification, repeat the procedure)

9 Led Indicators

A 1 second flash of **Red LED** indicates a valid signal.

A quick flash of **Red LED** indicates an invalid signal.

10 Memory Reset (Factory defaults)

This procedure allows to erase receiver memory.

- 1) Press **Receiver Button** until **Red LED** turns on.
- 2) Release **Receiver Button** and then press it again until **Red LED** starts to flash 3 times.

At this point all settings are erased, and the receiver is reset to factory default : no signal on wiegand output will occur anymore.



IMPORTANT

Receiver location is crucial for optimal system performance. Place the receiver far from interference sources such as magnetic fields or radio emissions (neon ballasts, electric motors, etc.). Ensure quality signal reception by doing range tests before permanently mounting the receiver.

WARRANTY

The warranty period for this product is 24 months, beginning from the manufacturer date. During this period, if the product does not work correctly, due to a defective component, the product will be repaired or substituted at our discretion. The guarantee does not cover the plastic container integrity. After-sale service is supplied at the factory.

